

FLORIDA PRODUCT APPROVAL DRAWINGS

PW257 IMPACT-RESISTANT CAPTURED AND BUTT GLAZED CURTAIN WALL SYSTEM WITH MULTIPLE GLAZING INFILLS FOR USE IN HURRICANE ZONES REQUIRING LARGE MISSILE IMPACT PROTECTION

ABBREVIATIONS:

D.L.O. = DAY LIGHT OPENING
 D.O.H. = DOOR OPENING HEIGHT
 D.O.W. = DOOR OPENING WIDTH
 ELEVS = ELEVATIONS
 EXT. = EXTERIOR
 INT. = INTERIOR
 MAX. = MAXIMUM
 MIN. = MINIMUM
 OPP. = OPPOSITE
 TYP. = TYPICAL

GENERAL NOTES:

TEST STANDARDS & METHODS

TAS201-94, TAS202-94,
 TAS203-94
 ASTM E331-02, E330-02,
 E283-04,

DESIGN PRESSURE:

REF. SHEET 4 OF 21

WATER INFILTRATION: 16 PSF

AIR INFILTRATION: 6.24 PSF

ALL STRUCTURAL MEMBERS TO BE MADE FROM 6063-T6 ALUMINUM.
 INTERIOR & EXTERIOR TRIM SHALL BE MADE FROM 6063-T5 ALUMINUM.

MATERIALS, INCLUDING BUT NOT LIMITED TO STEEL SCREWS, THAT COME INTO
 CONTACT WITH OTHER DISSIMILAR MATERIALS SHALL MEET THE REQUIREMENTS OF
 2007 FLORIDA BUILDING CODE SECTION 2003.8.4

INDEX TO DRAWINGS	
1	INDEX TO DRAWINGS AND NOTES
2	FRAMING ELEVATION
3	FRAMING ELEVATION
4	GLAZING SCHEDULE
5	MULLION CHART
6	FRAMING DETAILS - WET GLAZED
7	FRAMING DETAILS - DRY GLAZED
8	FRAMING DETAILS
9	FRAMING DETAILS
10	FRAMING DETAILS - BUTT GLAZED
11	DOOR AND FRAMING DETAILS
12	DOOR AND FRAMING DETAILS
13	CAPTURED SPLICE DETAILS
14	BUTT GLAZED SPLICE DETAILS
15	CORNER SPLICE DETAILS
16	ANCHOR DETAILS
17	CORNER ANCHOR DETAIL
18	ANCHOR CHART
19	BILL OF MATERIALS
20	BILL OF MATERIALS
21	BILL OF MATERIALS
22	DIE DRAWINGS
23	DIE DRAWINGS

ELIZABETH A. BROADWAY
 PROFESSIONAL ENGINEER
 FLORIDA REGISTRATION NO. 38558

B BROADWAY ENGINEERING, P.A.
 CIVIL, MECHANICAL, STRUCTURAL AND BUILDING DESIGN
 See Us At www.Broadway-Eng.Com
1335 W. Cass Street
Tampa, Florida 33606 813-251-9244
 Fax 813-251-9330 Bus. Email: Info@Broadway-Eng.Com
 Cadd. Email: DGorr@Broadway-Eng.Com
 BE-3894 Certificate of Authorization No. 4599

DRAWINGS FOR FLORIDA
 PRODUCT APPROVAL

DATE
REV / BY

Architectural Products
 3010 RICE MINE ROAD, TUSCALOOSA, AL 35405
 PHONE: 800-772-7737 FAX: 800-265-7320

PRODUCT APPROVAL DRAWINGS
 PW257 IMPACT-RESISTANT
 CURTAIN WALL SYSTEM
 PROTOCOLS: TAS 201-202-203

INDEX TO DRAWINGS AND NOTES

DATE 4/20/2011

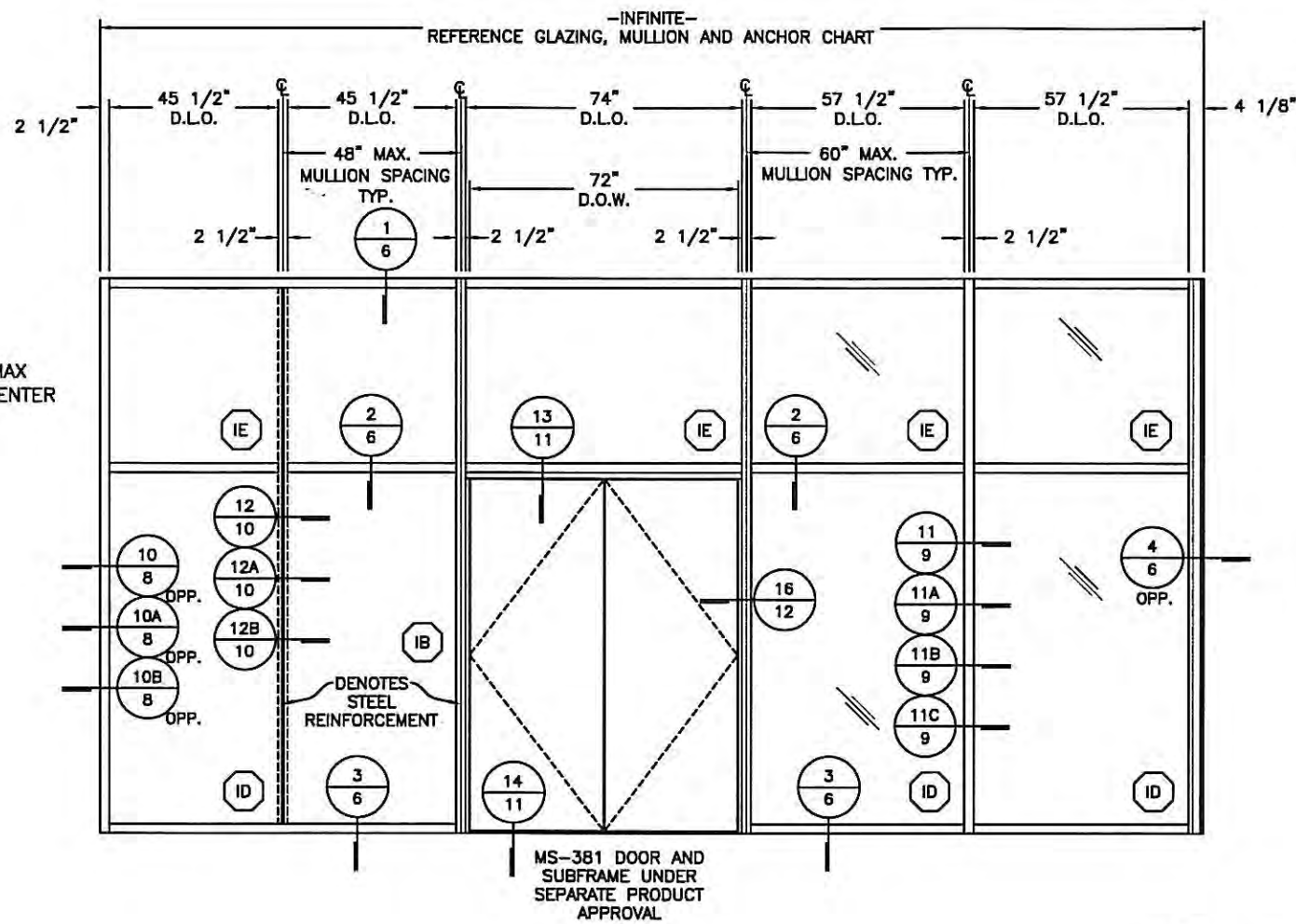
DRAWN	CHECKED	APPROVED
MLL	DCW	EAB

PROJECT NO.

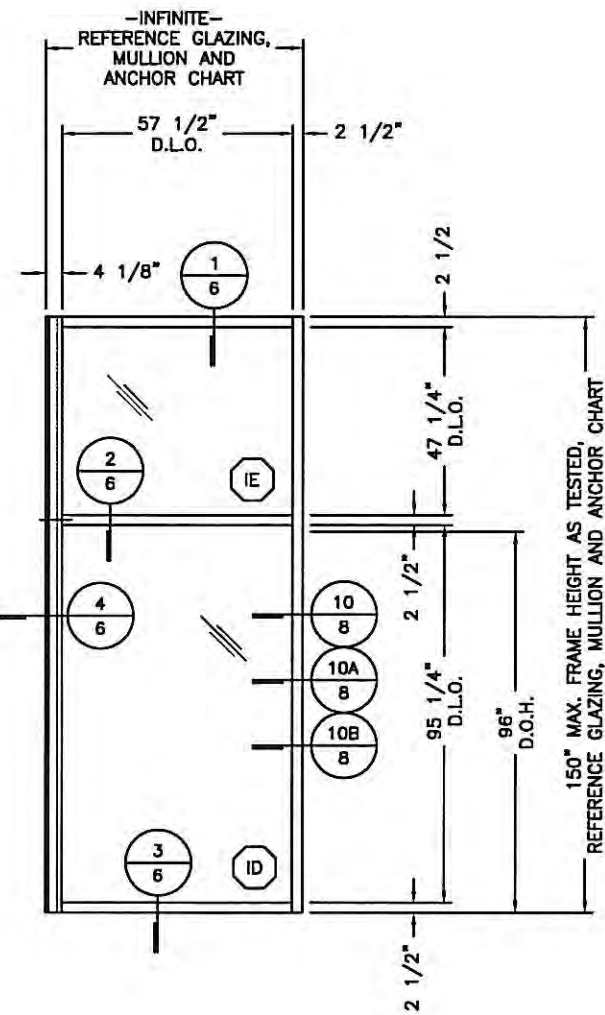
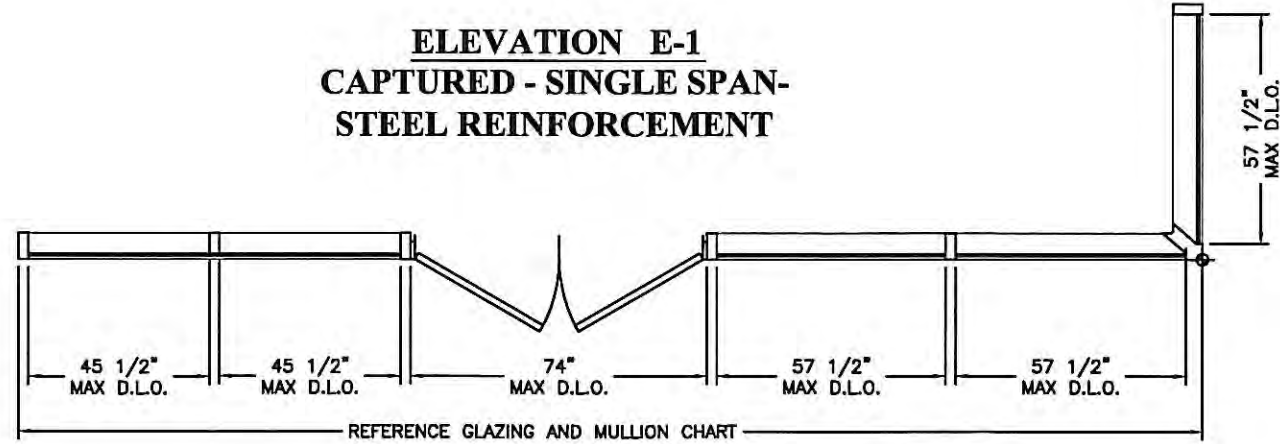
DRAWING NO. **PW257_02**

SHEET 1 OF 23

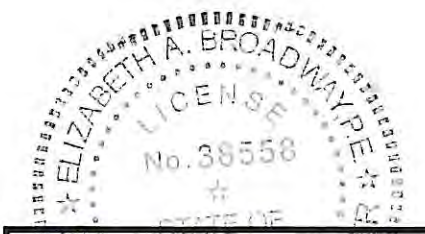
B.G. MULLIONS MAX SPACING 48" ON CENTER



**ELEVATION E-1
CAPTURED - SINGLE SPAN-
STEEL REINFORCEMENT**



1. REFERENCE GLAZING CHART ON PAGE 4 OF 23.
2. REFERENCE MULLION CHART ON PAGE 5 OF 23.
3. REFERENCE ANCHOR CHART ON PAGE 18 OF 23.



Elizabeth A. Broadway
ELIZABETH A. BROADWAY
PROFESSIONAL ENGINEER
FLORIDA REGISTRATION NO. 38558

B BROADWAY ENGINEERING, P.A.
CIVIL, MECHANICAL, STRUCTURAL AND BUILDING DESIGN
See Us At www.Broadway-Eng.Com
1335 W. Cass Street
Tampa, Florida 33608 813-251-9244
Fax 813-251-9330 Bus. Email: Info@Broadway-Eng.Com
Cadd. Email: DGorr@Broadway-Eng.Com
BE-3894 Certificate of Authorization No. 4599

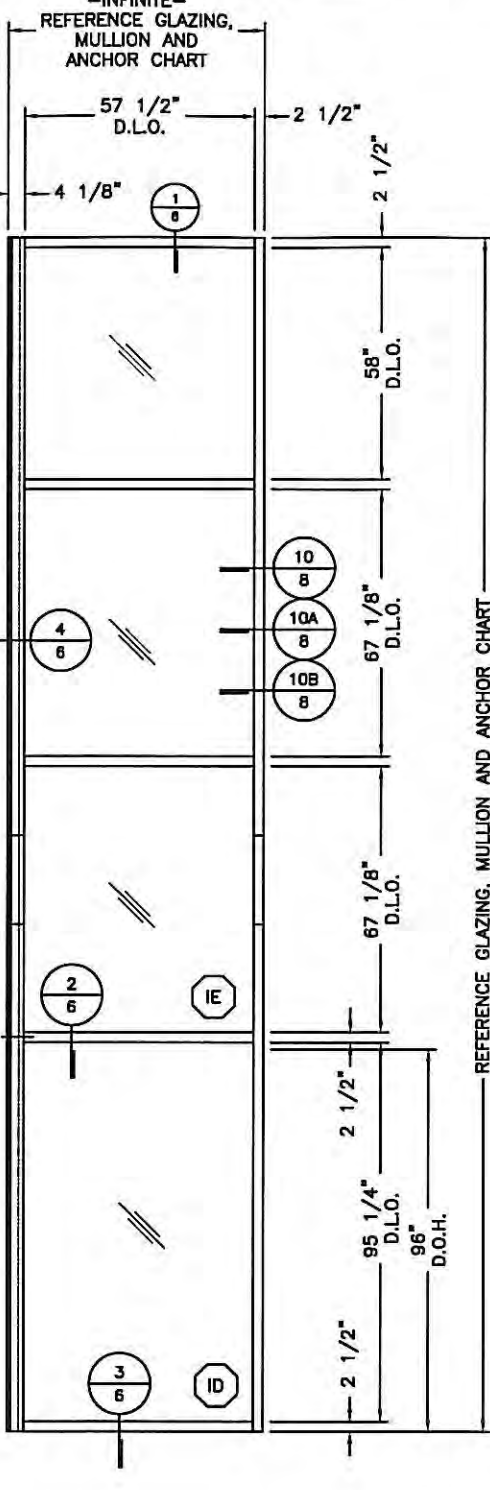
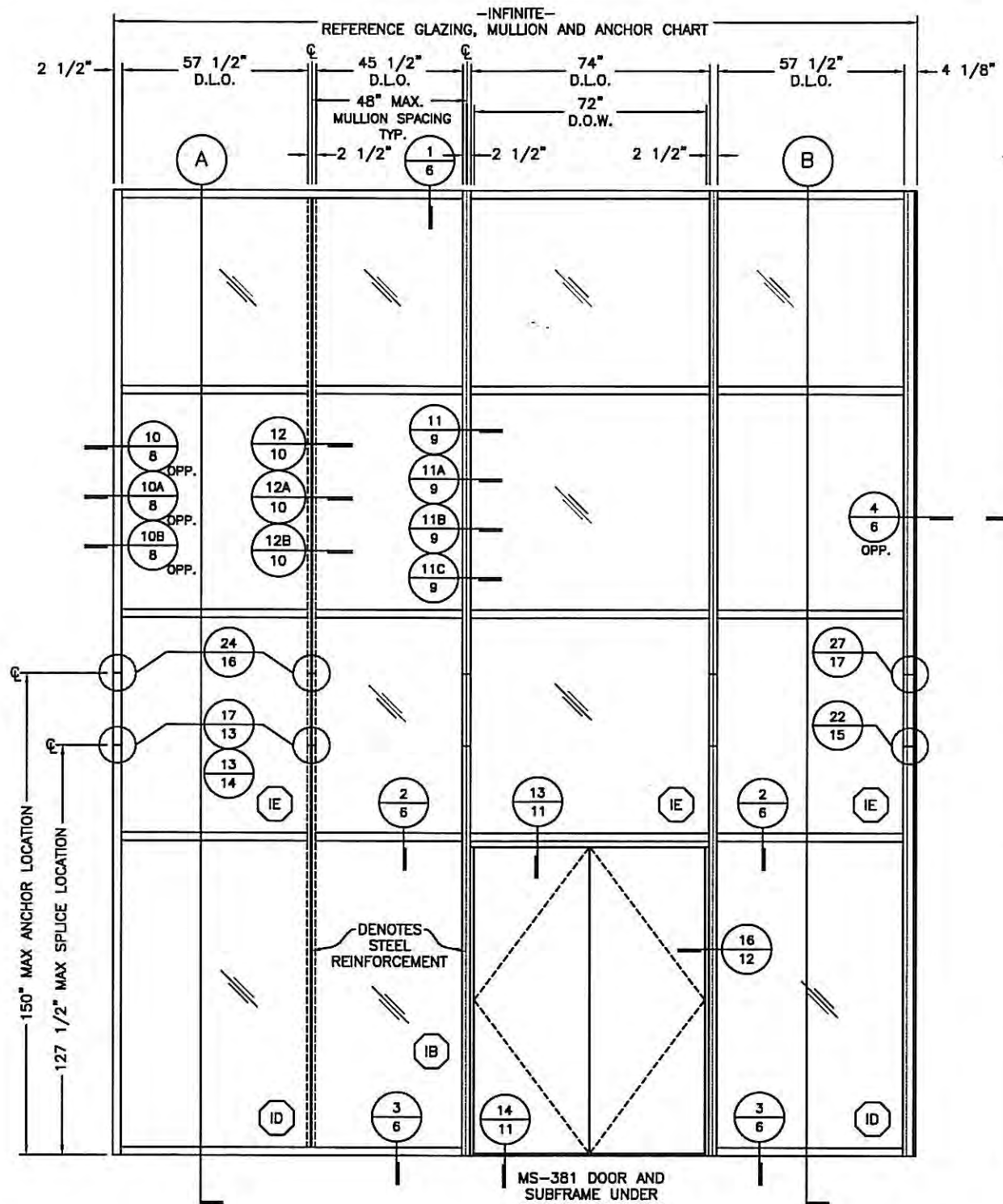
DRAWINGS FOR FLORIDA
PRODUCT APPROVAL

PRODUCT APPROVAL DRAWINGS
PW257 IMPACT-RESISTANT
CURTAIN WALL SYSTEM
PROTOCOLS: TAS 201-202-203
FRAMING ELEVATION

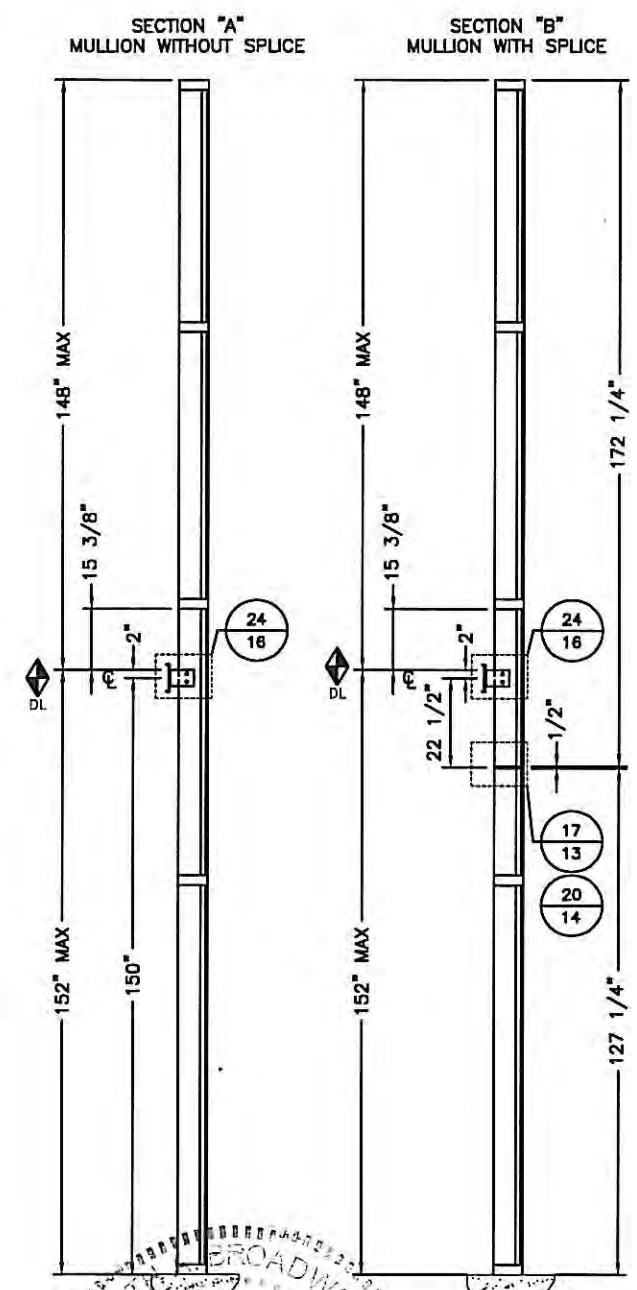
DATE	3/24/2010	
DRAWN	CHECKED	APPROVED
MLL	WS	EAB
PROJECT NO.		
DRAWING NO.	PW257_02	
SHEET	2 OF 23	

REV	BY	DATE	DESCRIPTION

Coral
Architectural Products
3010 RICE MINE ROAD, TUSCALOOSA, AL 35406
PHONE: 800-772-7737 FAX: 800-255-7320

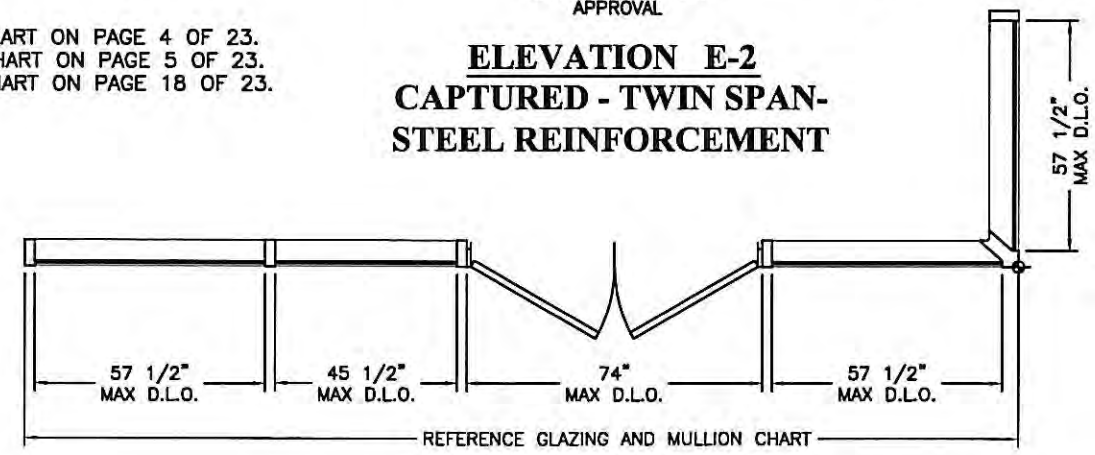


NOTE: MULLIONS ARE TESTED TO 150" MAX SPACING BETWEEN ANCHOR LOCATIONS.



1. REFERENCE GLAZING CHART ON PAGE 4 OF 23.
2. REFERENCE MULLION CHART ON PAGE 5 OF 23.
3. REFERENCE ANCHOR CHART ON PAGE 18 OF 23.

**ELEVATION E-2
CAPTURED - TWIN SPAN-
STEEL REINFORCEMENT**



ELIZABETH A. BROADWAY
LICENSE
No. 38558

Elizabeth Broadway
ELIZABETH A. BROADWAY
PROFESSIONAL ENGINEER
FLORIDA REGISTRATION NO. 38558

B BROADWAY ENGINEERING, P.A.
CIVIL, MECHANICAL, STRUCTURAL AND BUILDING DESIGN
See Us At www.Broadway-Eng.Com
1335 W. Cass Street
Tampa, Florida 33606 813-251-9244
Fax 813-251-9330 Bus. Email: Info@Broadway-Eng.Com
Cadd. Email: DGorr@Broadway-Eng.Com
BE-3894 Certificate of Authorization No. 4599

DRAWINGS FOR FLORIDA
PRODUCT APPROVAL

REV	BY	DATE	DESCRIPTION

Coral
Architectural Products
3010 RICE MINE ROAD, TUSCALOOSA, AL 35406
PHONE: 800-772-7737 FAX: 800-255-7320

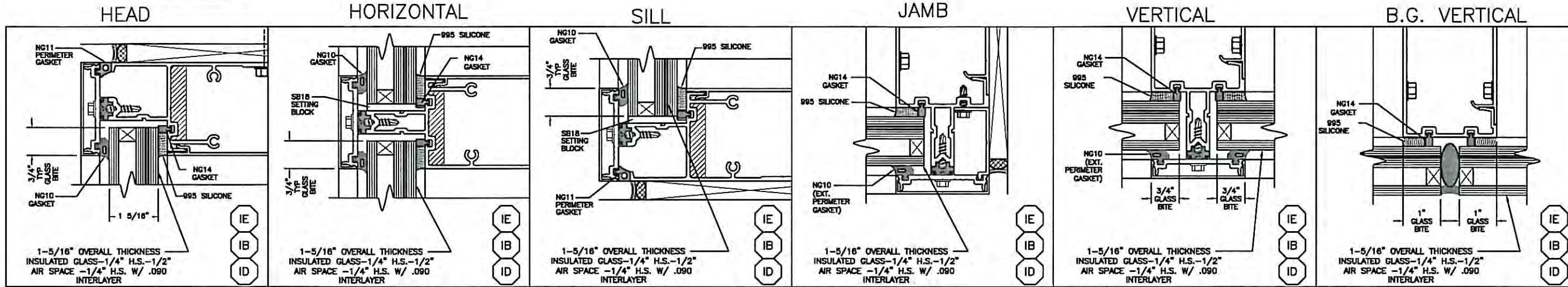
PRODUCT APPROVAL DRAWINGS
PW257 IMPACT-RESISTANT
CURTAIN WALL SYSTEM
PROTOCOLS: TAS 201-202-203
FRAMING ELEVATION

DATE	3/24/2010
DRAWN	ALL
CHECKED	WS
APPROVED	EAB
PROJECT NO.	
DRAWING NO.	PW257_02
SHEET	3 OF 23

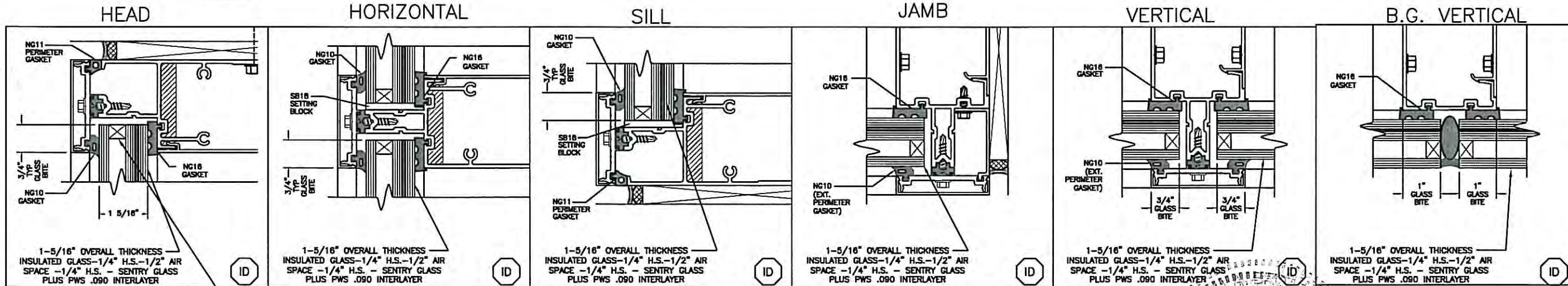
GLAZING SCHEDULE

GLASS MARK	GLASS DESCRIPTION	MANUFACTURER	MAXIMUM D.L.O. SIZE (INCHES)	SQUARE FEET	MAXIMUM DESIGN PRESSURE (PSF)
IE	1-5/16" INSULATED -1/4" H.S. -1/2" AIR SPACE -1/4" H.S. - DUPONT BUTACITE .090 PVB INTERLAYER	DUPONT	45-1/2" X 96"	30.3	± 80
IB	MOMO1-5/16" INSULATED -1/4" H.S. -1/2" AIR SPACE -1/4" H.S. -.090 SAFLEX PVB INTERLAYER -1/4" H.S.	SOLUTIA	45-1/2" X 96"	30.3	± 65
ID	1-5/16" INSULATED -1/4" H.S. -1/2" AIR SPACE -1/4" H.S. -SENTRY GLASS PLUS PWS .090 -1/4" H.S. *SEE NOTE BELOW	DUPONT	57-1/2" X 96"	38.3	± 80

WET GLAZED



DRY GLAZED



SPACER:
1/2" AIR SPACE WITH AN ALUMINUM BOX SPACER AROUND THE PERIMETER OF GLASS

*
PRIMARY SEALANT:
TYPE PIB-29 MANUFACTURED BY ADCO

SECONDARY SEALANT:
TYPE GE-3723 A&B (TWO PART) SILICONE MANUFACTURED BY GE

Elizabeth A. Broadway
ELIZABETH A. BROADWAY
PROFESSIONAL ENGINEER
FLORIDA REGISTRATION NO. 38558

B BROADWAY ENGINEERING, P.A.
CIVIL, MECHANICAL, STRUCTURAL, AND BUILDING DESIGN
See Us At www.broadway-eng.com
1335 W. Cass Street
Tampa, Florida 33606 813-251-9244
Fax 813-251-9330 Bus. Email: Info@Broadway-Eng.Com
Cadd. Email: DGorr@Broadway-Eng.Com
BE-3894 Certificate of Authorization No. 4599

DRAWINGS FOR FLORIDA
PRODUCT APPROVAL

ADDED DRY GLAZING NOTE	DATE	DESCRIPTION

REV	BY	DATE
1	BE	7/1/11

Architectural Products
3010 RICE MINE ROAD, TUSCALOOSA, AL 35406
PHONE: 800-772-7737 FAX: 800-255-7320

PRODUCT APPROVAL DRAWINGS
PW257 IMPACT-RESISTANT
CURTAIN WALL SYSTEM
PROTOCOLS: TAS 201-202-203

GLAZING SCHEDULE

DATE: 7/1/2011		
DRAWN: MLL	CHECKED: WS	APPROVED: EAB
PROJECT NO.:		
DRAWING NO. PW257_02		
SHEET 4 OF 23		

Options and Limitations for PW 257 Curtain Wall Systems For Use in High Velocity Hurricane Zones (HVHZ)

PW 257 Insulated Impact Resistant Curtain Wall Captured

Design Pressure P.S.F	Intermediate Vertical Mullion WITHOUT STEEL	Intermediate Vertical Mullion With Steel SR150	Intermediate Vertical Mullion With Steel SR150 with 3-3/4" x 1/2" Bar welded	Intermediate Vertical Mullion With Steel SR150 with 3-3/4" x 3/4" Bar welded	Wall Jamb Mullion With Steel SR150 - Without Anchors at Horizontals	Wall Jamb Mullion With Steel SR150 with 3-3/4" x 1/2" Bar welded - Without Anchors at Horizontals	Wall Jamb Mullion WITHOUT STEEL - Must Be Anchored at Horizontals	Maximum Mullion	Maximum Mullion Anchor Point	Maximum Mullion Spacing Center to Center () see notes below	Maximum Glass Size Daylite Opening	Square Feet	Qualified Glass Types
+65/-65	PW650/202						PW650/202	108"		48"	45 1/2" x 84"	26.5	IE-IB-ID
+80/-80		PW650/202			PW650/202		PW650/202	144"	150"	60"	57 1/2" x 96"	38.3	ID
+80/-80			PW650/202			PW650/202	PW650/202	150"	150"	60"	57 1/2" x 96"	38.3	ID
+80/-80				PW650/202			PW650/202	150"	150"	76 1/2" (1)	72" x 47 1/4"	23.6	IE-IB-ID
+80/-80	(3)		Corner PW208/209 /656 and SR504				PW650/202	150"	150"	60"	57 1/2" x 96"	38.3	ID

PW 257 Insulated Impact Resistant Curtain Wall Butt Glazed

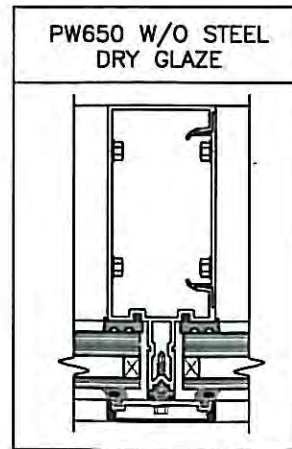
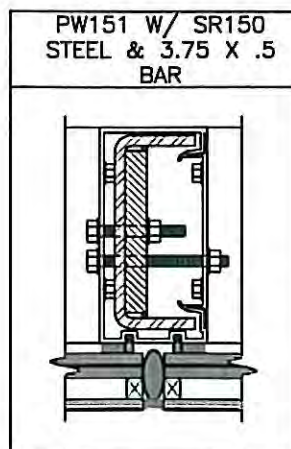
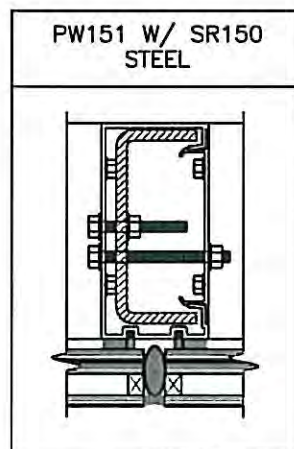
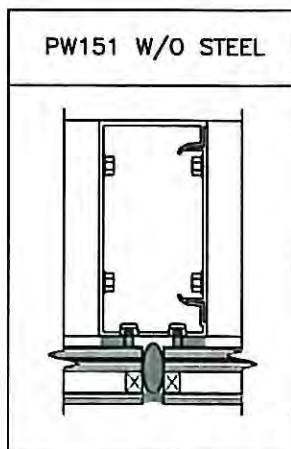
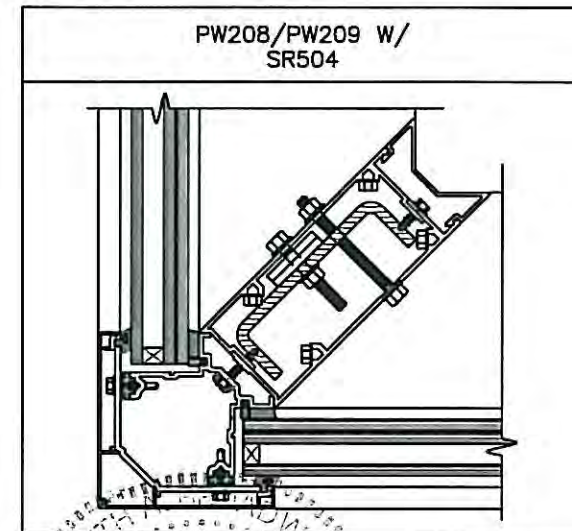
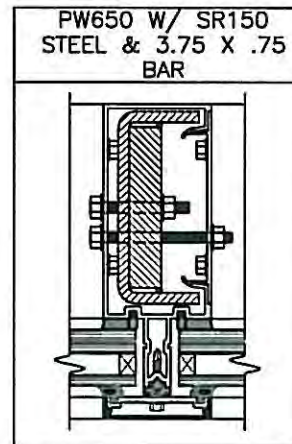
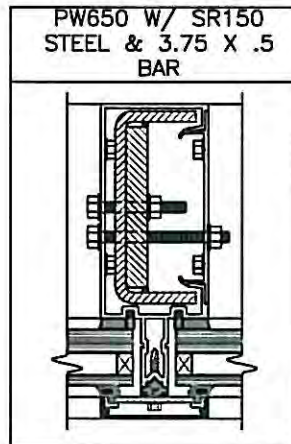
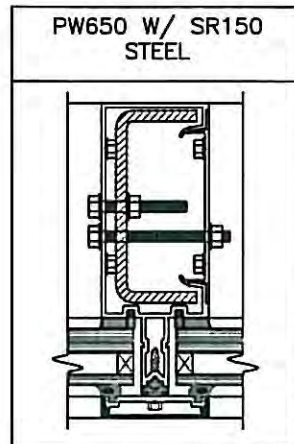
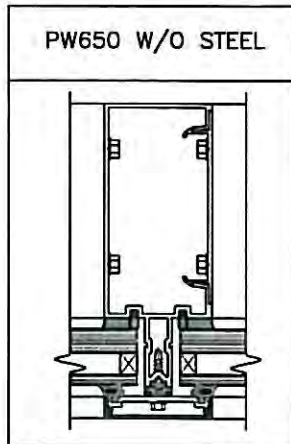
Design Pressure P.S.F	Intermediate Vertical Mullion WITHOUT STEEL	Intermediate Vertical Mullion With Steel SR150	Intermediate Vertical Mullion With Steel SR150 with 3-3/4" x 1/2" Bar welded	Intermediate Vertical Mullion With Steel SR150 with 3-3/4" x 3/4" Bar welded	Wall Jamb Mullion With Steel SR150 - Without Anchors at Horizontals	Wall Jamb Mullion With Steel SR150 with 3-3/4" x 1/2" Bar welded - Without Anchors at Horizontals	Wall Jamb Mullion WITHOUT STEEL - Must Be Anchored at Horizontals	Maximum Mullion	Maximum Mullion Anchor Point	Maximum Mullion Spacing Center to Center () see notes below	Maximum Glass Size Daylite Opening	Square Feet	Qualified Glass Types
+65/-65	PW151/202						PW650/202	108"		48"	45 1/2" x 96"	30.5	ID
+80/-80		PW151/202			PW650/202		PW650/202	144"	150"	48"	45 1/2" x 96"	30.5	ID
+80/-80			PW151/202			PW650/202	PW650/202	150"	150"	48"	45 1/2" x 96"	30.5	ID
+80/-80	(2)		Corner Captured Only PW208/209/656 and SR504				PW650/202	150"	150"	48"	45 1/2" x 96"	30.5	ID

PW 257 Insulated Impact Resistant Curtain Wall Dry Glazed

Design Pressure P.S.F	Intermediate Vertical Mullion WITHOUT STEEL	Intermediate Vertical Mullion With Steel SR150	Intermediate Vertical Mullion With Steel SR150 with 3-3/4" x 1/2" Bar welded	Intermediate Vertical Mullion With Steel SR150 with 3-3/4" x 3/4" Bar welded	Wall Jamb Mullion With Steel SR150 - Without Anchors at Horizontals	Wall Jamb Mullion With Steel SR150 with 3-3/4" x 1/2" Bar welded - Without Anchors at Horizontals	Wall Jamb Mullion WITHOUT STEEL - Must Be Anchored at Horizontals	Maximum Mullion	Maximum Mullion Anchor Point	Maximum Mullion Spacing Center to Center () see notes below	Maximum Glass Size Daylite Opening	Square Feet	Qualified Glass Types
+65/-65	PS650/202						PW650/202	108"		48"	45 1/2" x 84"	26.5	ID
+70/-80		PW650/202			PW650/202		PW650/202	144"	150"	60"	57 1/2" x 96"	38.3	ID
+70/-80			PW650/202			PW650/202	PW650/202	150"	150"	60"	57 1/2" x 96"	38.3	ID
+70/-80				PW650/202			PW650/202	150"	150"	76 1/2" (1)	72" x 47 1/4"	23.6	ID

Notes

(1)	Based on Opening for Door and frame. Horizontals must be used at 48" intervals
(2)	Captured Corner can be used with Butt Glazed System, Mullion Spacing cannot exceed 48" on center
(3)	Corner Assembly consists of PW 208/209/654 /PW658/PW210 and SR 504 Steel



Elizabeth A. Broadway
 ELIZABETH A. BROADWAY
 PROFESSIONAL ENGINEER
 FLORIDA REGISTRATION NO. 38558

B BROADWAY ENGINEERING, P.A.
 CIVIL, MECHANICAL, STRUCTURAL AND BUILDING DESIGN
 See Us At www.Broadway-Eng.Com
 1335 W. Cass Street
 Tampa, Florida 33608 813-251-9244
 Fax 813-251-9330 Bus. Email: Info@Broadway-Eng.Com
 Cadd. Email: DGarr@Broadway-Eng.Com
 BE-3894 Certificate of Authorization No. 4599

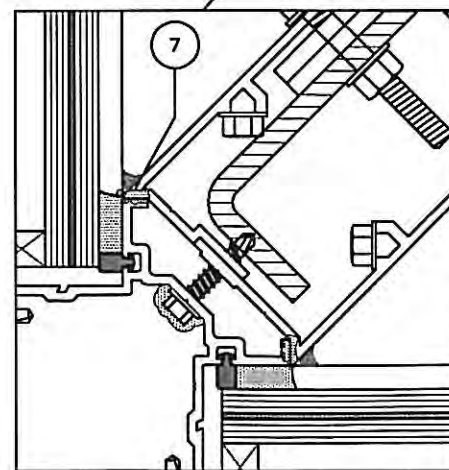
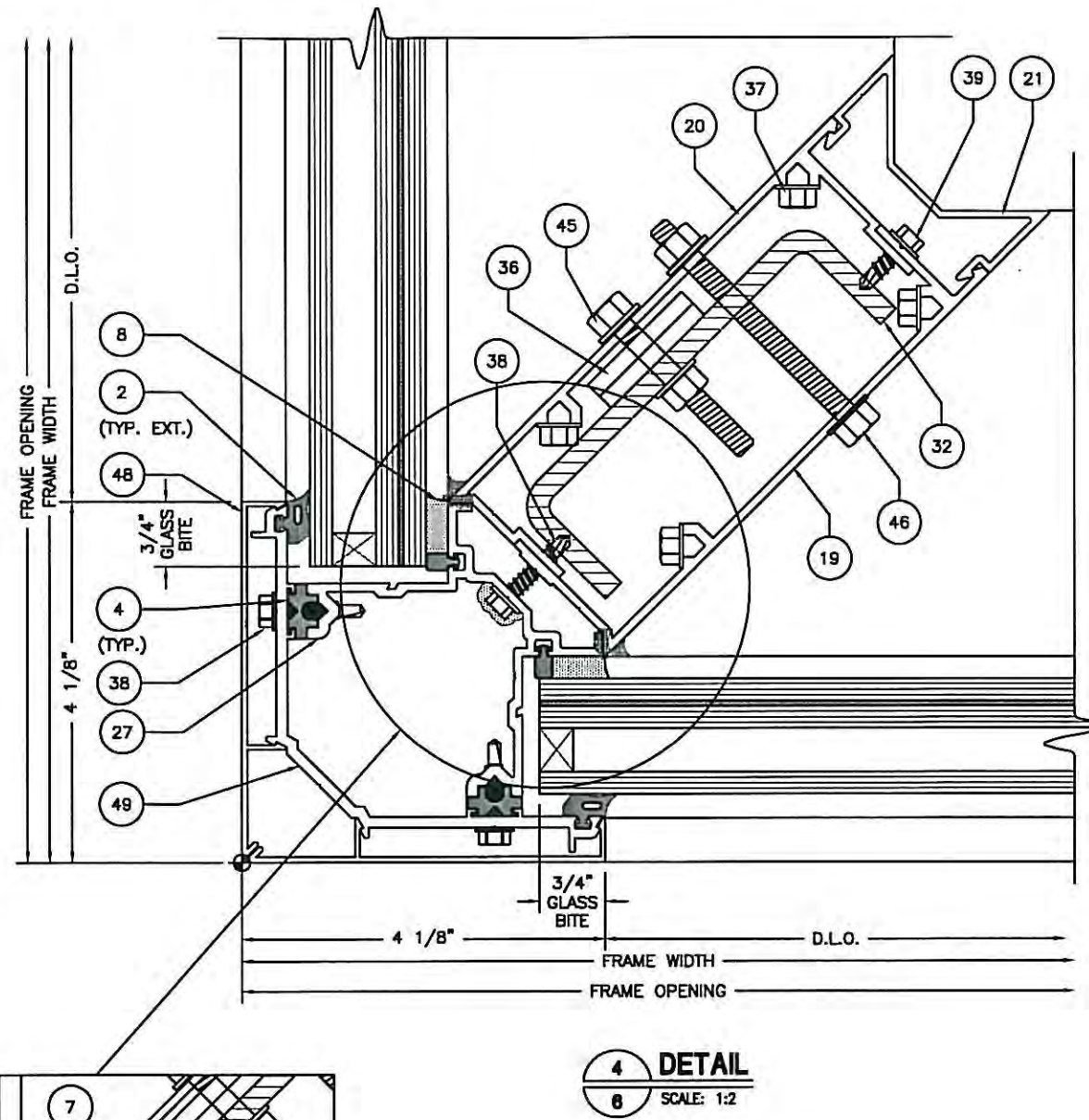
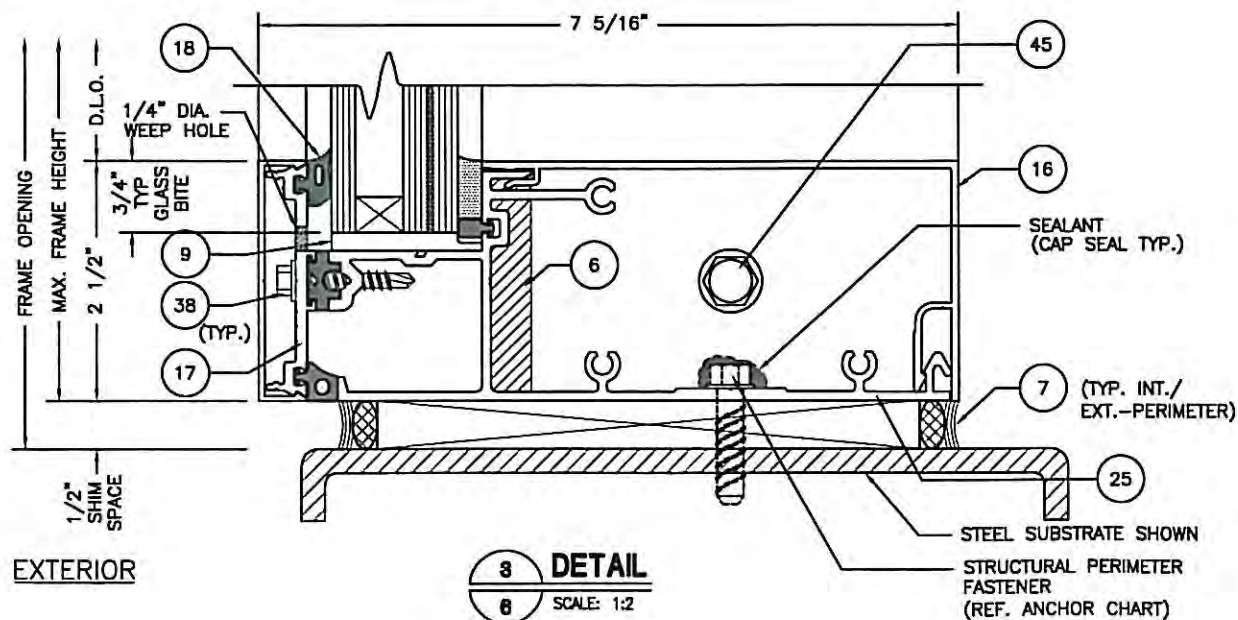
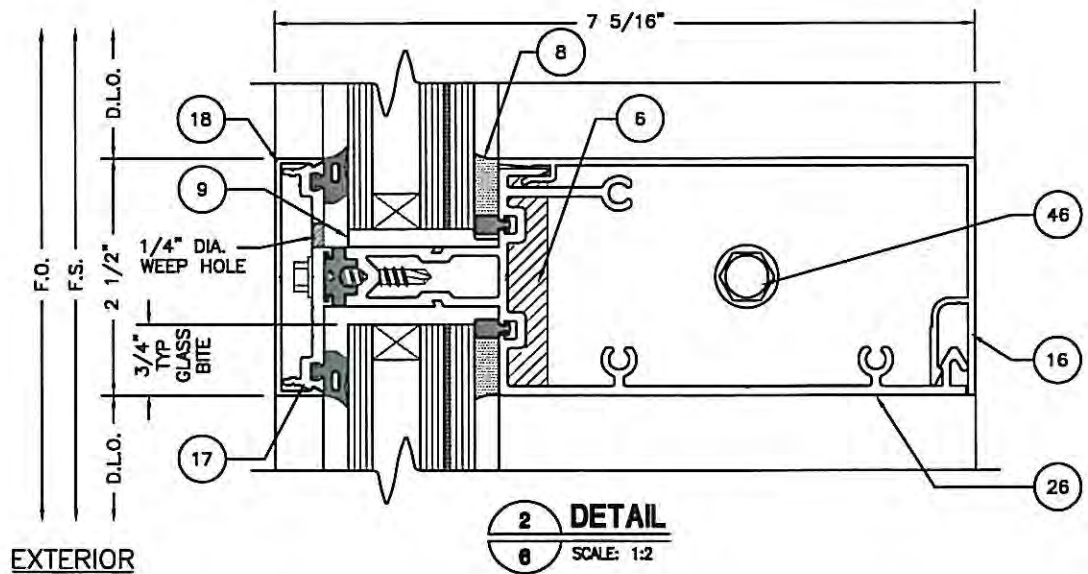
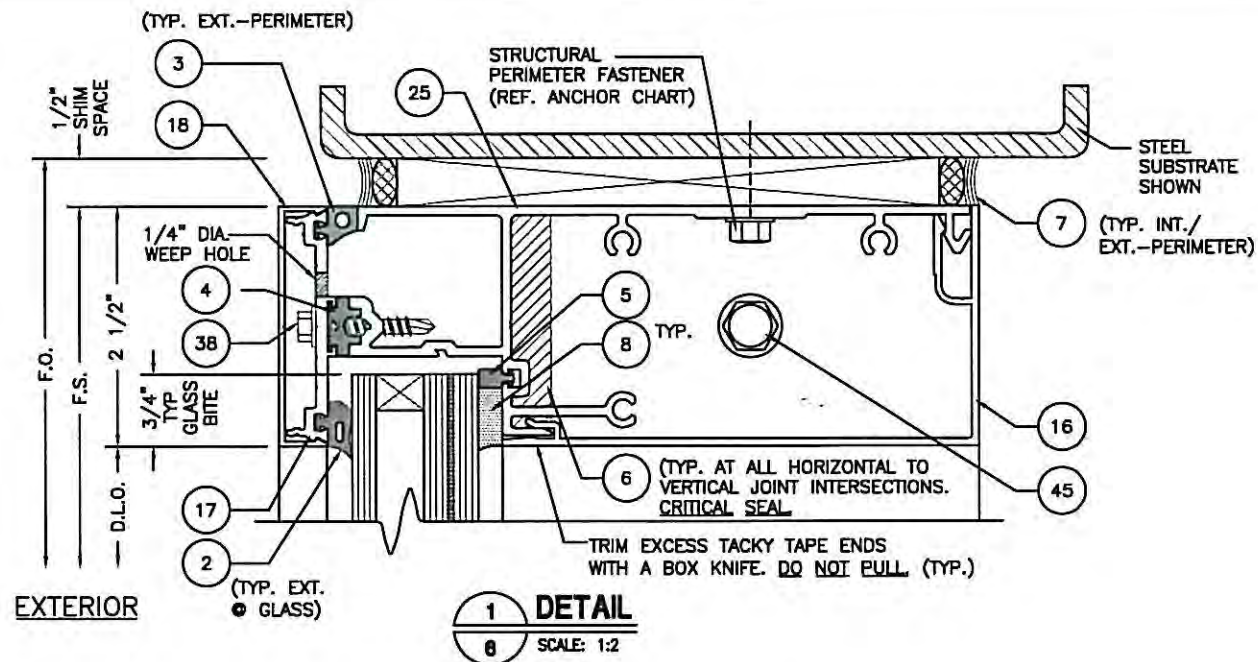
DRAWINGS FOR FLORIDA
 PRODUCT APPROVAL

REV	BY	DATE	DESCRIPTION

Coral
 Architectural Products
 3010 RICE MINE ROAD, TUSCALOOSA, AL 35406
 PHONE: 800-772-7737 FAX: 800-266-7320

PRODUCT APPROVAL DRAWINGS
 PW257 IMPACT-RESISTANT
 CURTAIN WALL SYSTEM
 PROTOCOLS: TAS 201-202-203
 MULLION CHART

DATE	5/6/2011	
DRAWN	CHECKED	APPROVED
MLL	WS	EAB
PROJECT NO.		
DRAWING NO.	PW257_02	
SHEET	5 OF 23	



SEALANT JOINT



Elizabeth A. Broadway
 ELIZABETH A. BROADWAY
 PROFESSIONAL ENGINEER
 FLORIDA REGISTRATION NO. 38558

B BROADWAY ENGINEERING, P.A.
 CIVIL, MECHANICAL, STRUCTURAL AND BUILDING DESIGN
 See Us At www.Broadway-Eng.Com
 1335 W. Cass Street
 Tampa, Florida 33606 813-251-9244
 Fax 813-251-9330 Bus. Email: Info@Broadway-Eng.Com
 Cadd. Email: DGarr@Broadway-Eng.Com
 BE-3894 Certificate of Authorization No. 4599

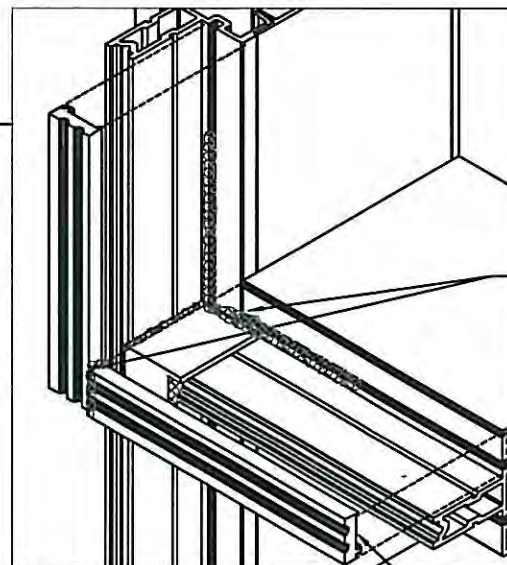
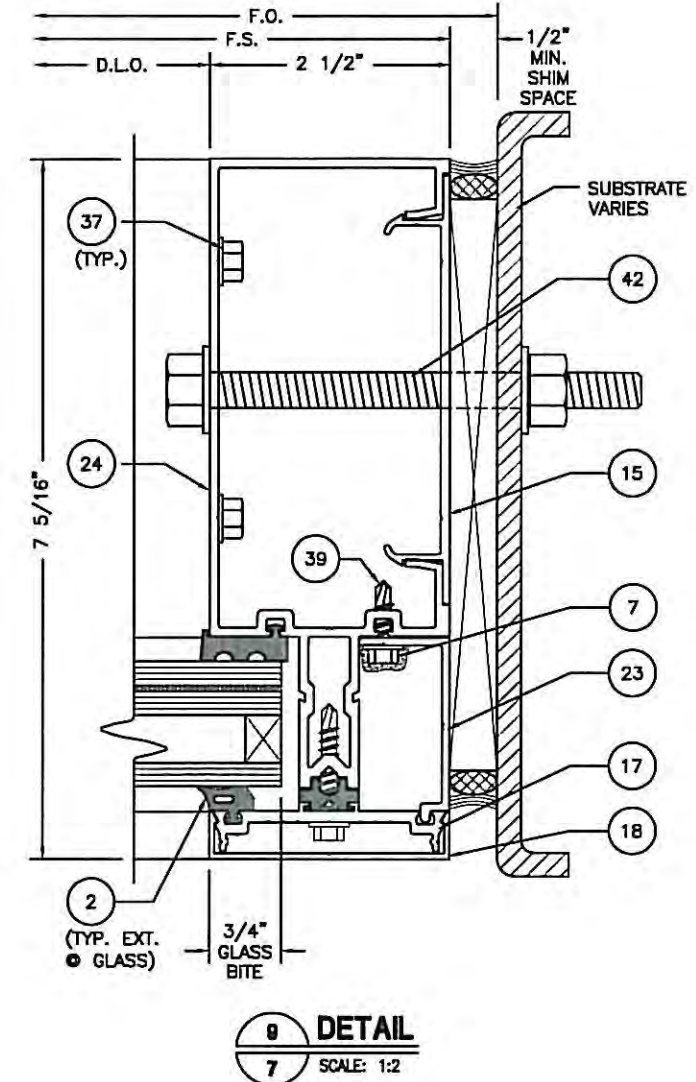
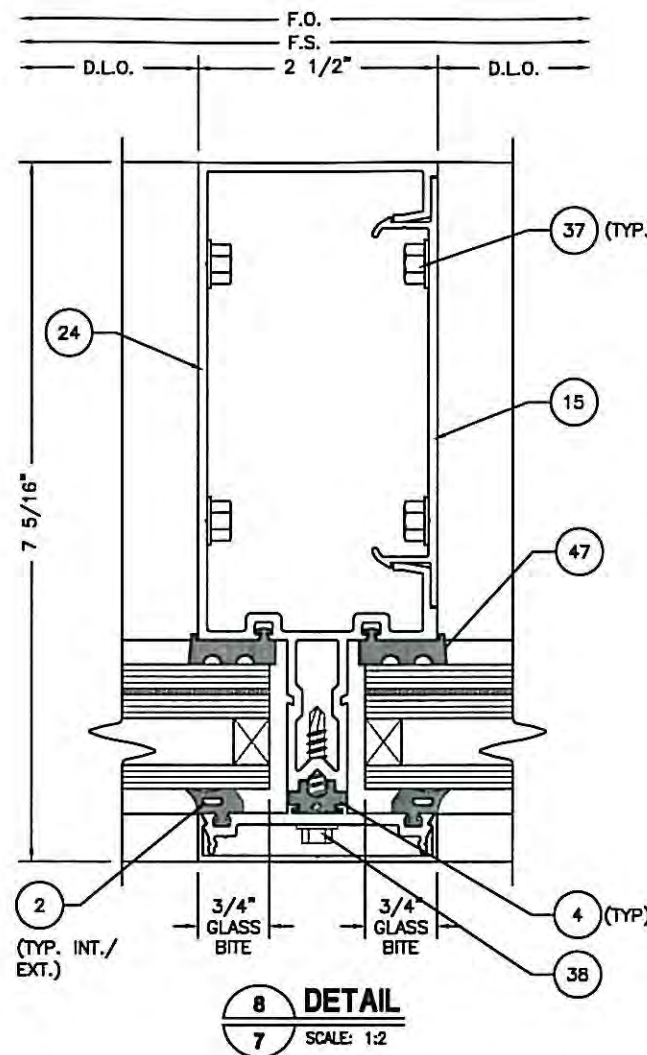
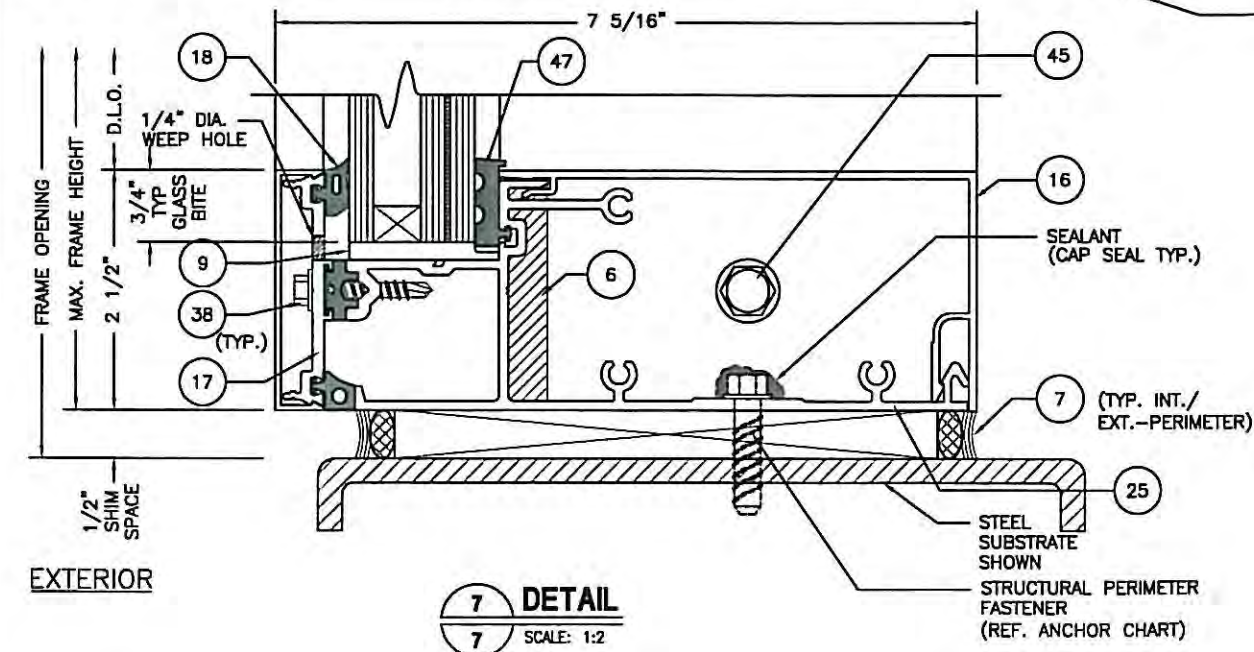
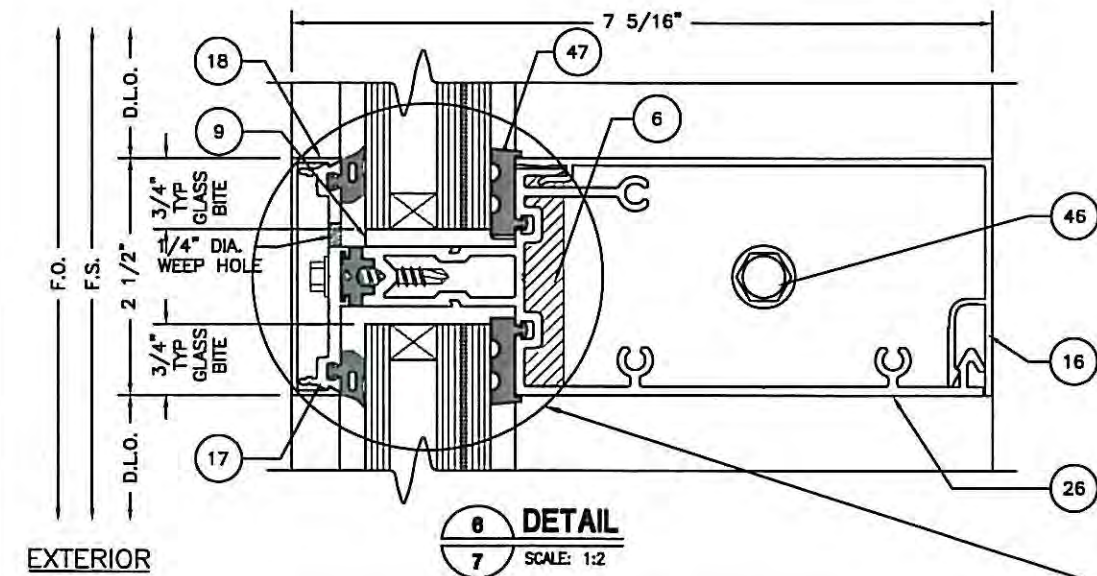
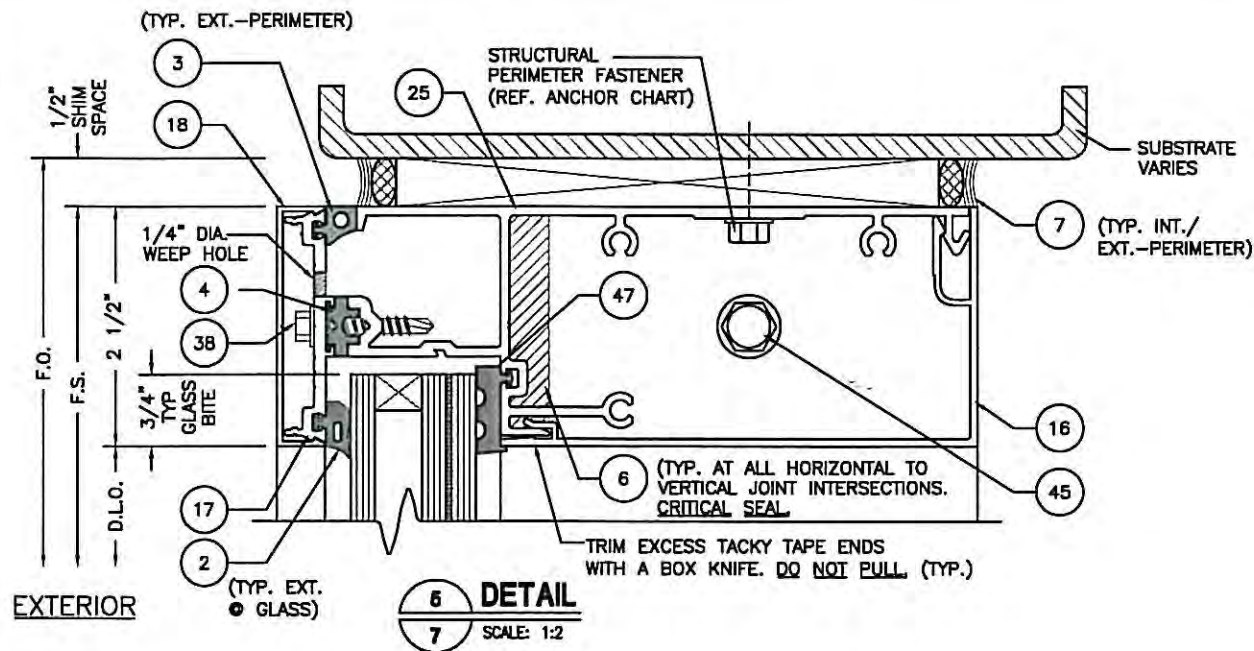
DRAWINGS FOR FLORIDA
 PRODUCT APPROVAL

REV	BY	DATE	DESCRIPTION

Coral
 Architectural Products
 3010 RICE MINE ROAD, TUSCALOOSA, AL 35406
 PHONE: 800-772-7737 FAX: 800-255-7320

PRODUCT APPROVAL DRAWINGS
 PW257 IMPACT-RESISTANT
 CURTAIN WALL SYSTEM
 PROTOCOLS: PA 201-202-203
 FRAMING DETAILS - WET GLAZED

DATE	4/18/2011
DRAWN	MLL
CHECKED	WS
APPROVED	EAB
PROJECT NO.	
DRAWING NO.	PW257_02
SHEET	6 OF 23



DRY GLAZE GASKET
(0.90 SENTRY GLASS PLUS ONLY TYPE ID)

7
CRITICAL SEAL AT ALL GASKET CORNER LOCATIONS



ELIZABETH A. BROADWAY
PROFESSIONAL ENGINEER
FLORIDA REGISTRATION NO. 38558

B BROADWAY ENGINEERING, P.A.
CIVIL, MECHANICAL, STRUCTURAL AND BUILDING DESIGN
See Us At www.Broadway-Eng.Com
1335 W. Cass Street
Tampa, Florida 33608 813-251-9244
Fax 813-251-9330 Bus. Email: Info@Broadway-Eng.Com
Cadd. Email: DGarr@Broadway-Eng.Com
BE-3894 Certificate of Authorization No. 4599

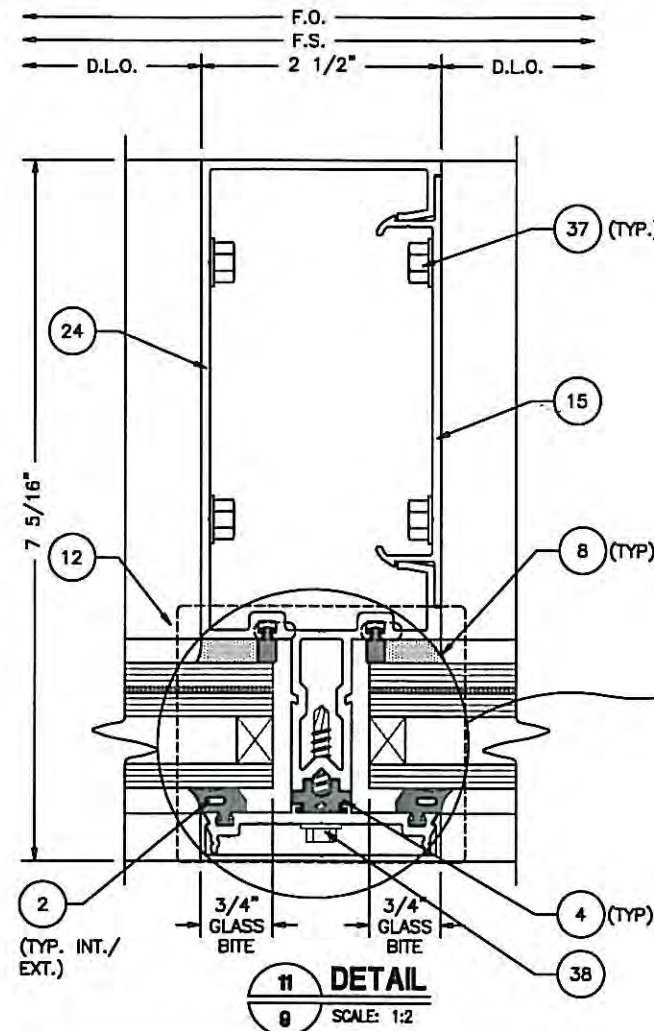
DRAWINGS FOR FLORIDA
PRODUCT APPROVAL

DATE	4/18/2011
DRAWN	MLL
CHECKED	WS
APPROVED	EAB
PROJECT NO.	
DRAWING NO.	PW257_02
SHEET	7 OF 23

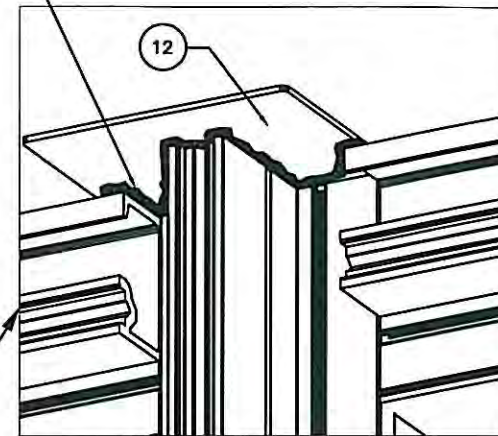
PRODUCT APPROVAL DRAWINGS
PW257 IMPACT-RESISTANT
CURTAIN WALL SYSTEM
PROTOCOLS: TAS 201-202-203

FRAMING DETAILS - DRY GLAZED

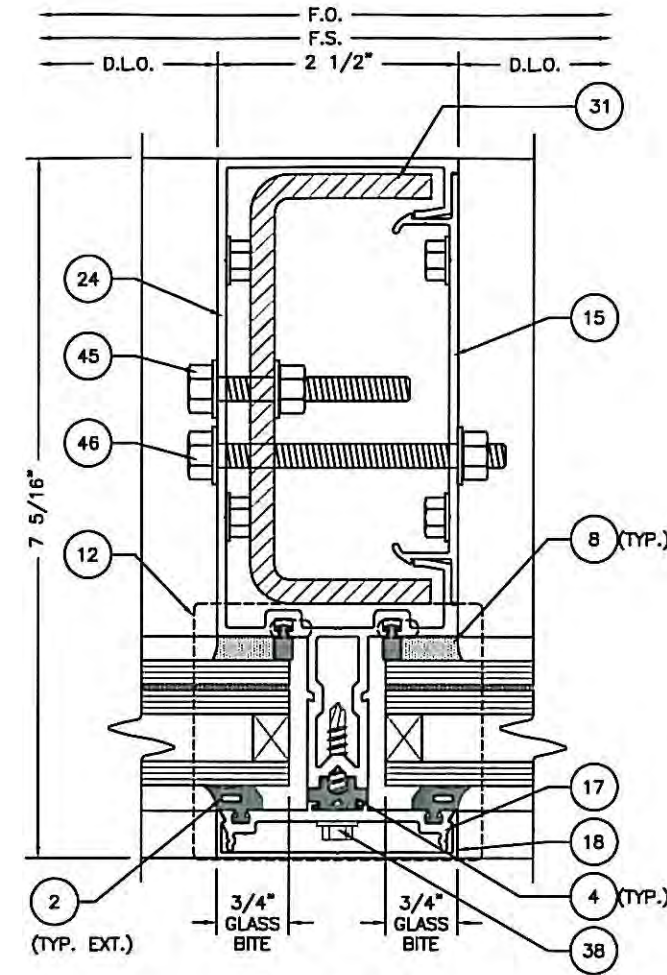
Coral
Architectural Products
3010 RICE MINE ROAD, TUSCALOOSA, AL 35406
PHONE: 800-772-7737 FAX: 800-255-7320



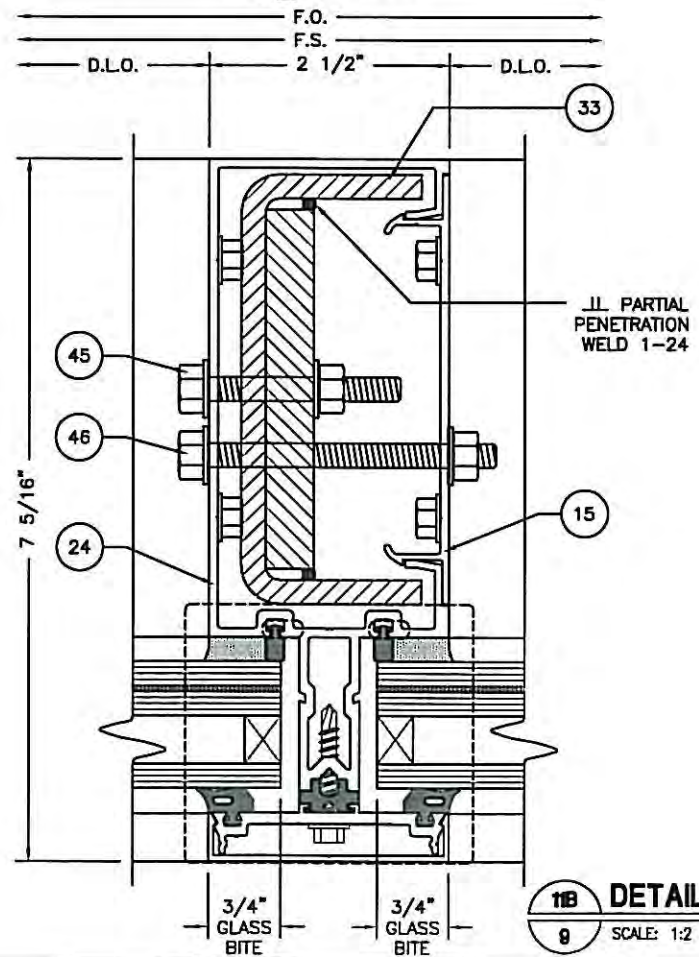
7 SEAL CONTACT SURFACE W/ DOW 795 BEFORE INSTALLING TOP AND BOTTOM CLOSURE CAP



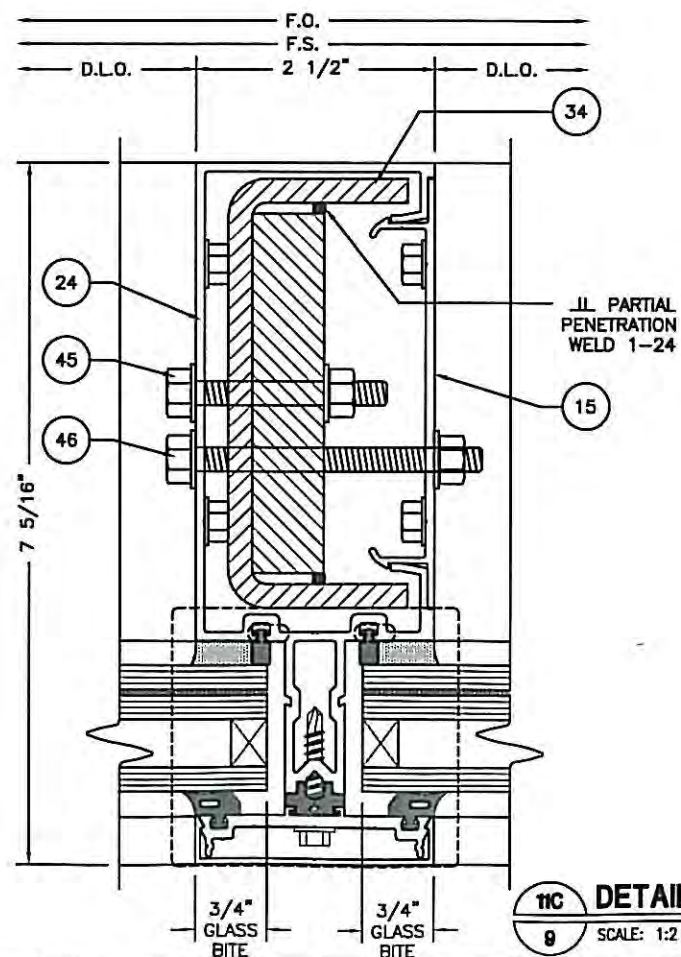
TOP SHOWN CLOSURE CAP (BOTTOM SIMILAR)



11A DETAIL SCALE: 1:2



11B DETAIL SCALE: 1:2



11C DETAIL SCALE: 1:2



Elizabeth A. Broadway
 ELIZABETH A. BROADWAY
 PROFESSIONAL ENGINEER
 FLORIDA REGISTRATION NO. 38558

B BROADWAY ENGINEERING, P.A.
 CIVIL, MECHANICAL, STRUCTURAL AND BUILDING DESIGN
 See Us At www.Broadway-Eng.Com
 1335 W. Cass Street
 Tampa, Florida 33606 813-251-9244
 Fax 813-251-9330 Bus. Email: Info@Broadway-Eng.Com
 Cadd. Email: DCorr@Broadway-Eng.Com
 BE-3894 Certificate of Authorization No. 4599

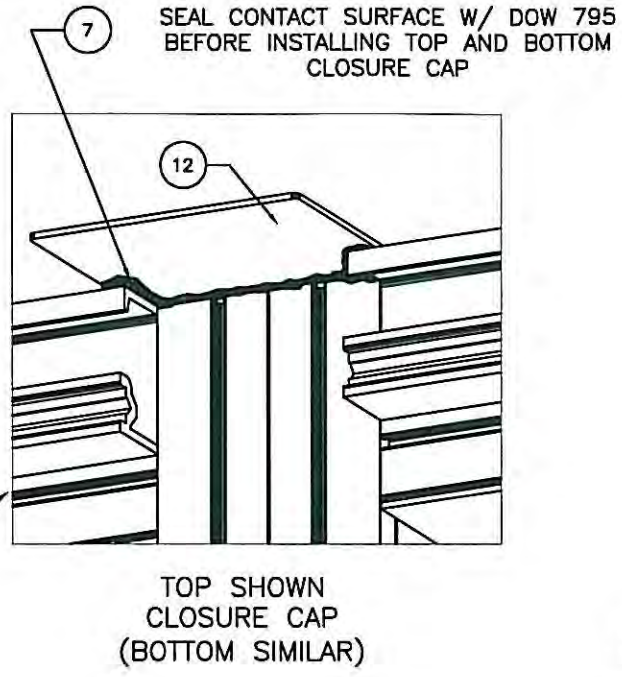
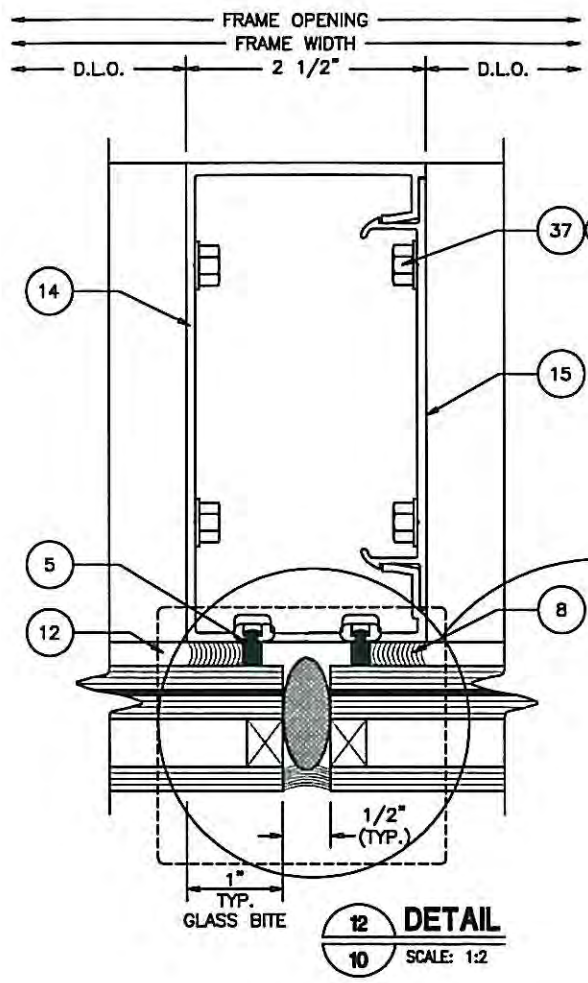
DRAWINGS FOR FLORIDA PRODUCT APPROVAL

REV	BY	DATE	DESCRIPTION

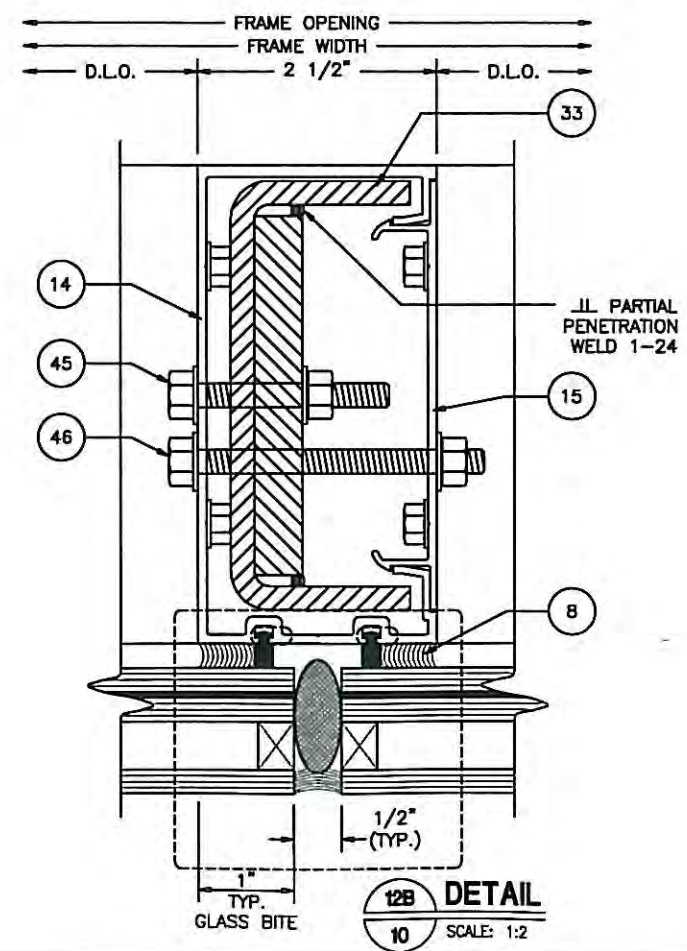
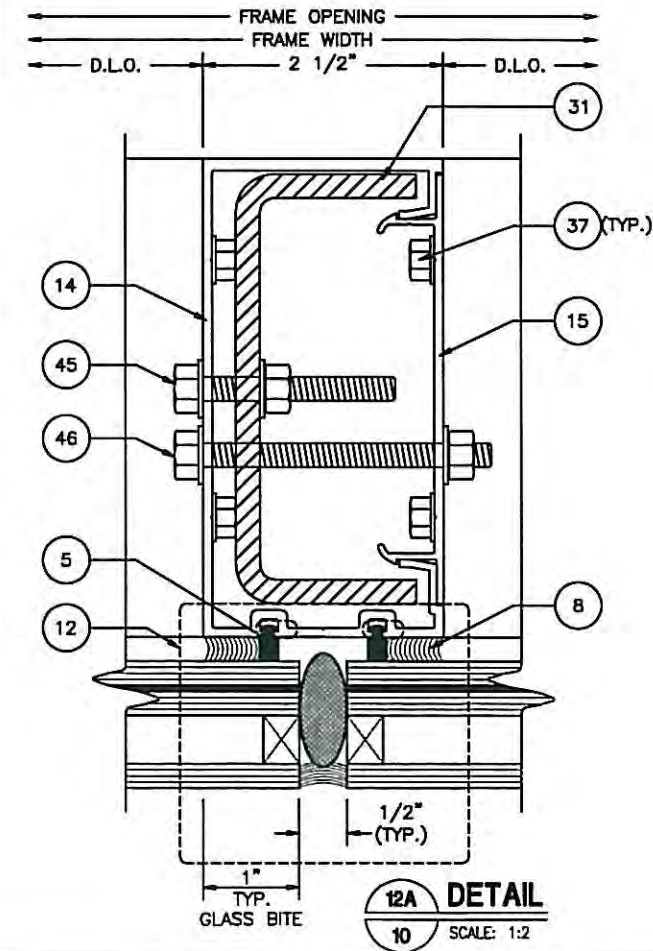
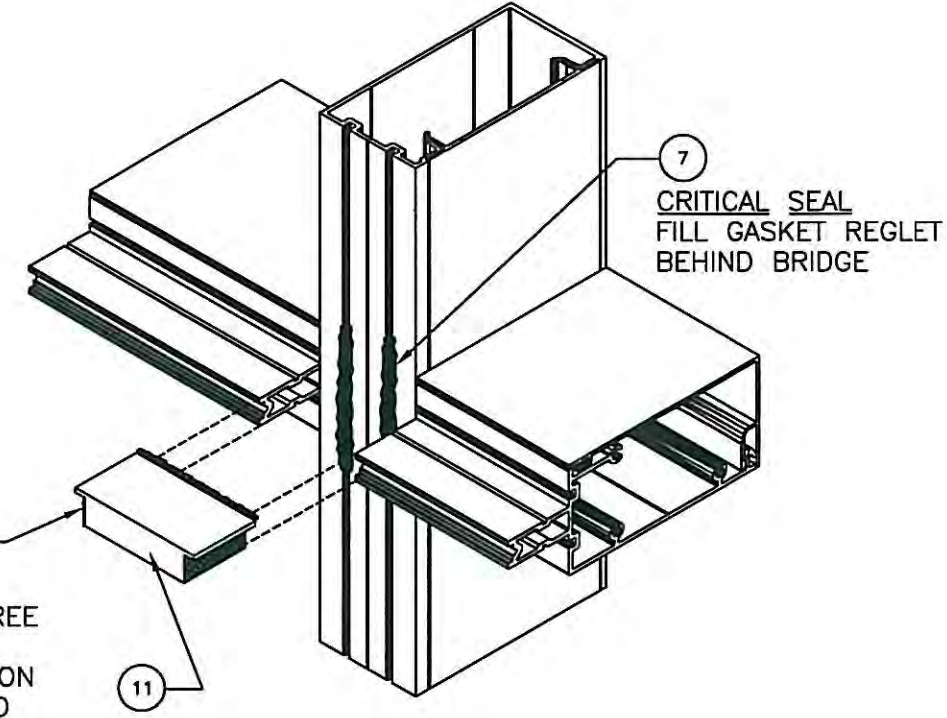
Coral
 Architectural Products
 3010 RICE MINE ROAD, TUSCALOOSA, AL 35406
 PHONE: 800-772-7737 FAX: 800-255-7320

PRODUCT APPROVAL DRAWINGS
 PW257 IMPACT-RESISTANT
 CURTAIN WALL SYSTEM
 PROTOCOLS: TAS 201-202-203
 FRAMING DETAILS

DATE	4/18/2011
DRAWN	MLL
CHECKED	WS
APPROVED	EAB
PROJECT NO.	
DRAWING NO.	PW257_02
SHEET	9 OF 23



CRITICAL SEAL 7
 APPLY DOW 795 SEALANT TO ALL THREE CONTACT SURFACES PRIOR TO INSTALLATION AT HORIZONTALS AND SILL.



Elizabeth A. Broadway
 ELIZABETH A. BROADWAY
 PROFESSIONAL ENGINEER
 FLORIDA REGISTRATION NO. 38558

B BROADWAY ENGINEERING, P.A.
 CIVIL, MECHANICAL, STRUCTURAL AND BUILDING DESIGN
 See Us At www.Broadway-Eng.Com
 1335 W. Cass Street
 Tampa, Florida 33606 813-251-9244
 Fax 813-251-9330 Bus. Email: Info@Broadway-Eng.Com
 Cadd. Email: DGarr@Broadway-Eng.Com
 BE-3894 Certificate of Authorization No. 4599

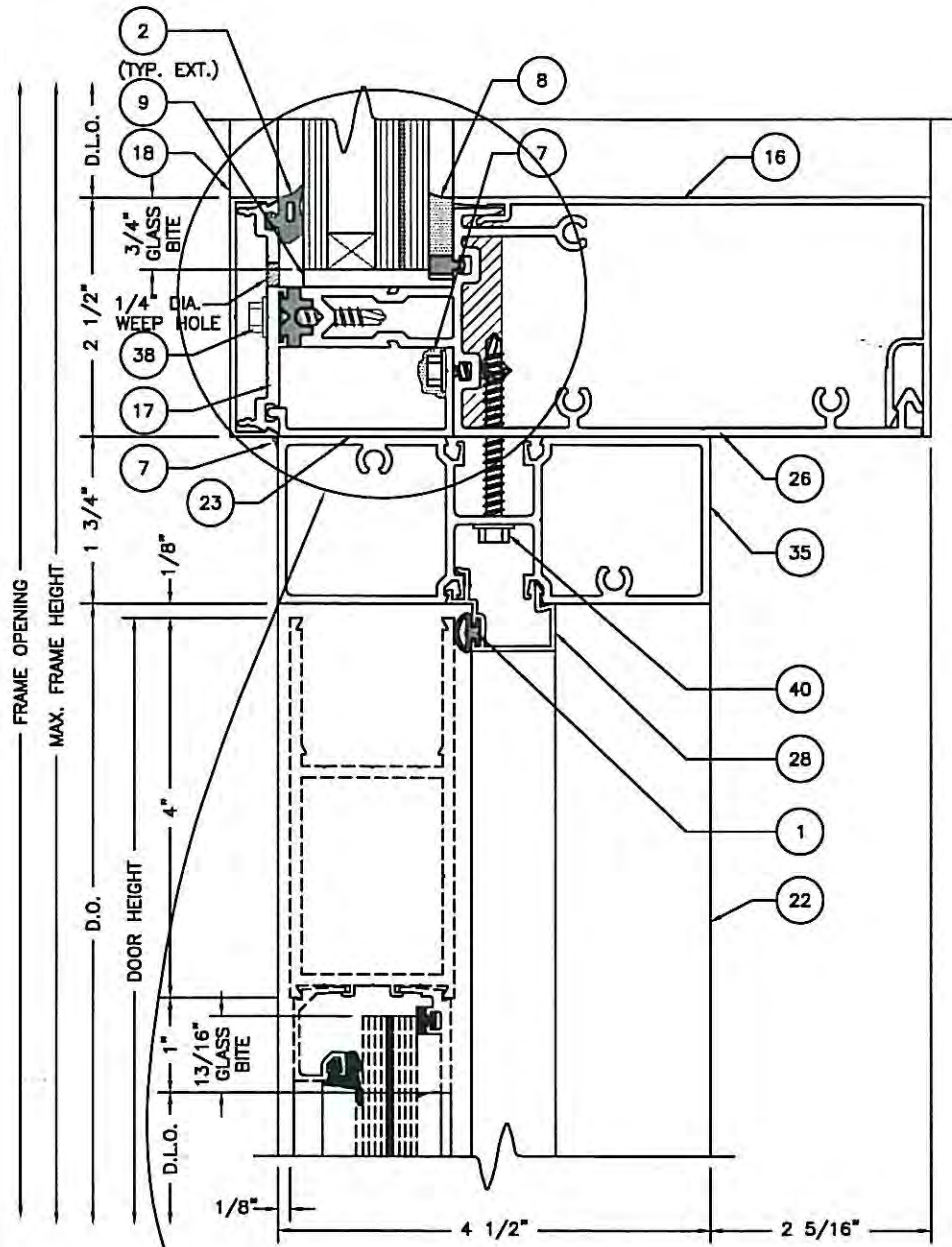
DRAWINGS FOR FLORIDA
 PRODUCT APPROVAL

REV	BY	DATE	DESCRIPTION

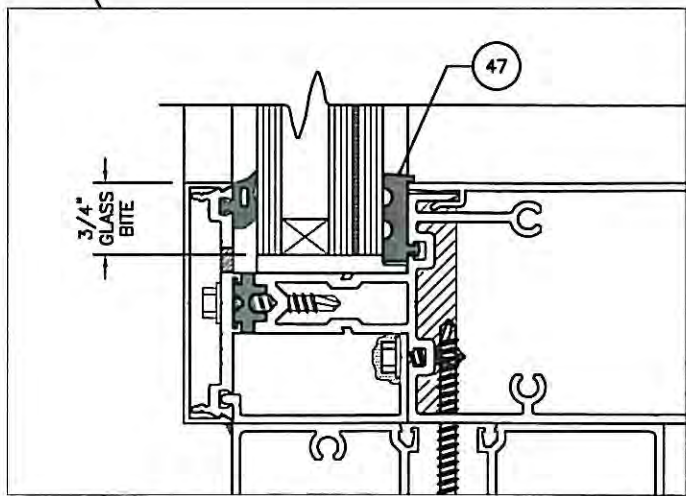
Coral
 Architectural Products
 3010 RICE MINE ROAD, TUSCALOOSA, AL 35406
 PHONE: 800-772-7737 FAX: 800-255-7320

PRODUCT APPROVAL DRAWINGS
 PW257 IMPACT-RESISTANT
 CURTAIN WALL SYSTEM
 PROTOCOLS: TAS 201-202-203
 FRAMING DETAILS - BUTT GLAZED

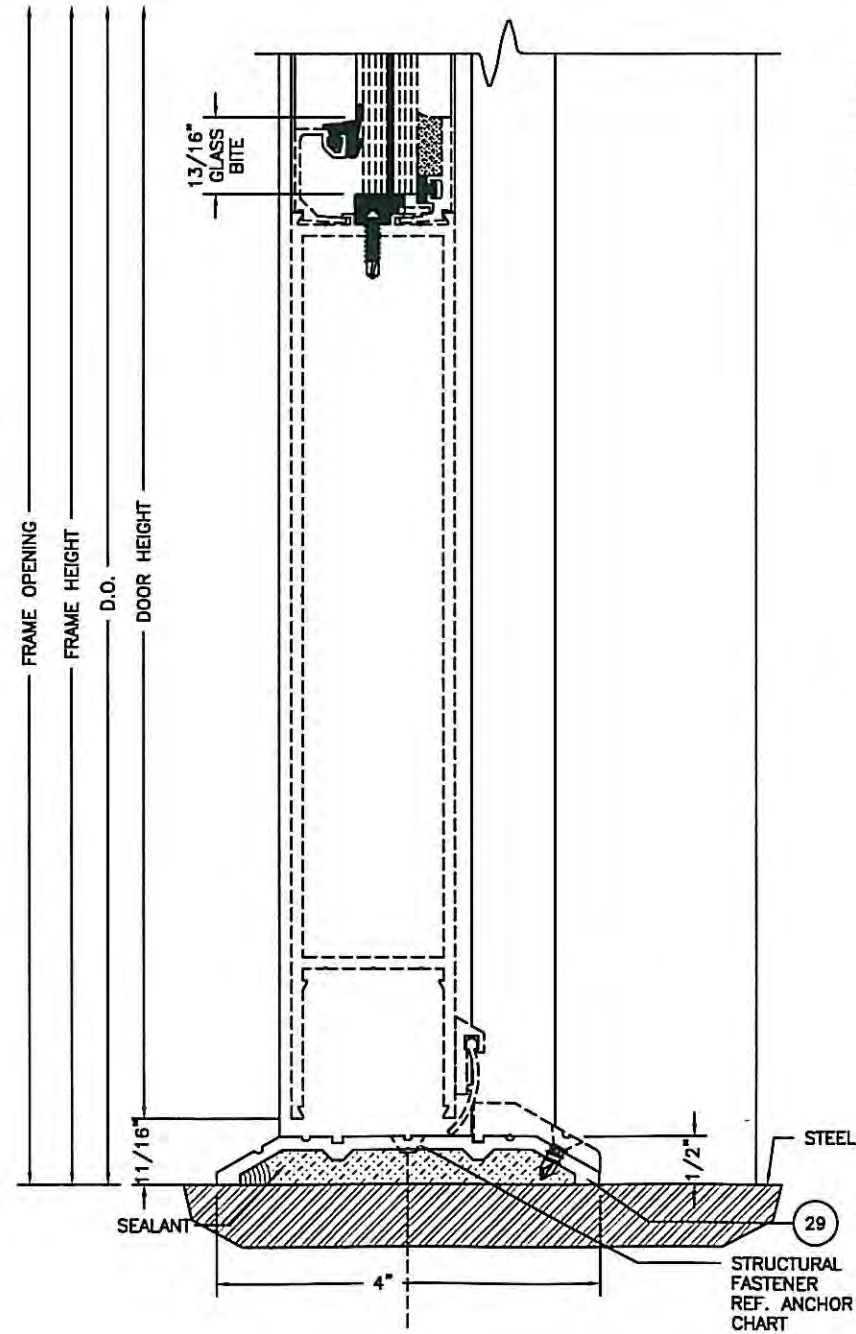
DATE	4/18/2011	
DRAWN	CHECKED	APPROVED
MLL	W5	EAB
PROJECT NO.		
DRAWING NO.	PW257_02	
SHEET	10 OF 23	



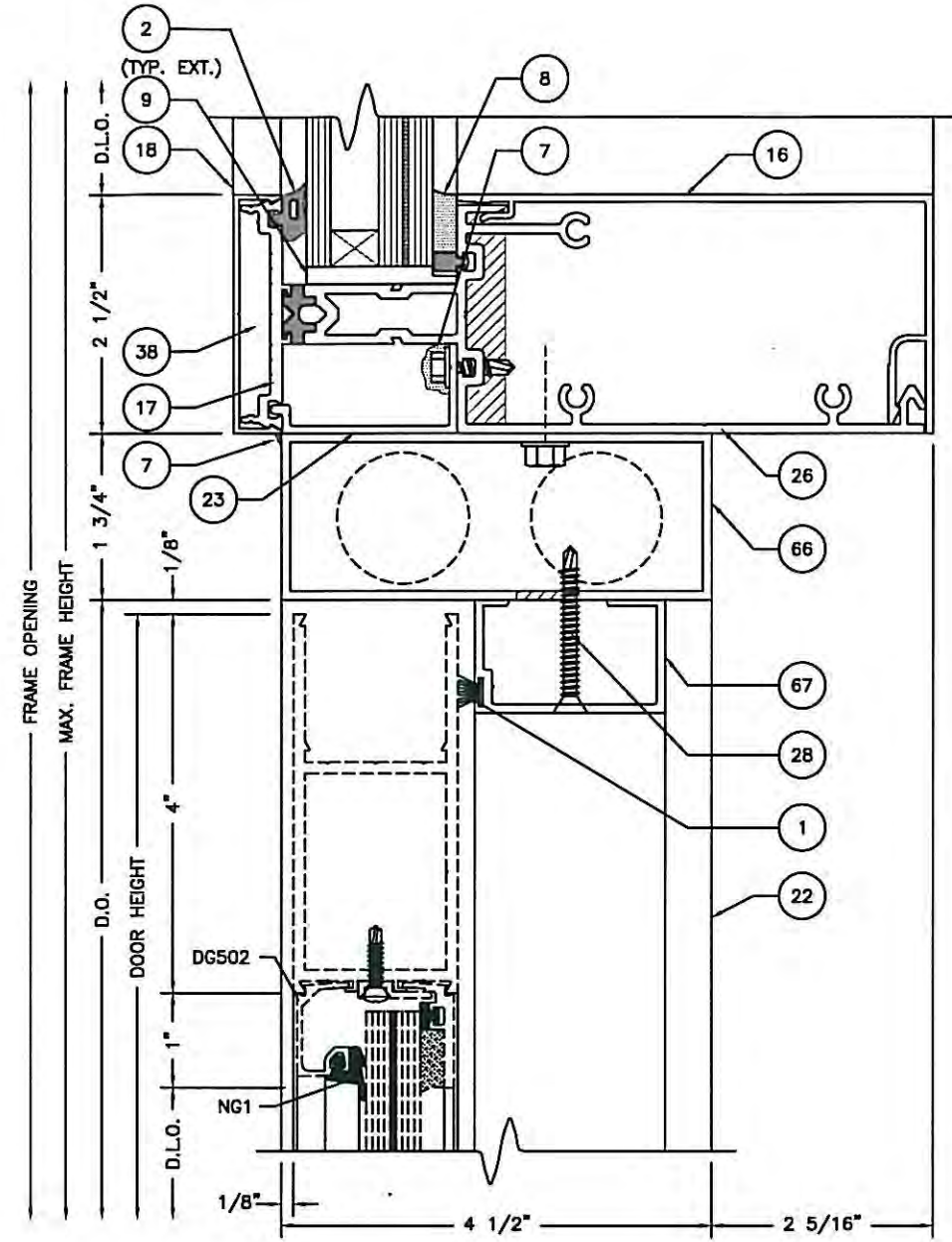
18 DETAIL
SCALE: 1:2



DRY GLAZE HEADER



14 DETAIL
SCALE: 1:2



13A DETAIL
SCALE: 1:2

ELIZABETH A. BROADWAY ENGINEER
No. 38558

Elizabeth A. Broadway
ELIZABETH A. BROADWAY
PROFESSIONAL ENGINEER
FLORIDA REGISTRATION NO. 38558

B BROADWAY ENGINEERING, P.A.
CIVIL, MECHANICAL, STRUCTURAL AND BUILDING DESIGN
See Us At www.Broadway-Eng.Com
1335 W. Cass Street
Tampa, Florida 33606 813-251-9244
Fax 813-251-9330 Bus. Email: Info@Broadway-Eng.Com
Cadd. Email: DGorr@Broadway-Eng.Com
BE-3894 Certificate of Authorization No. 4599

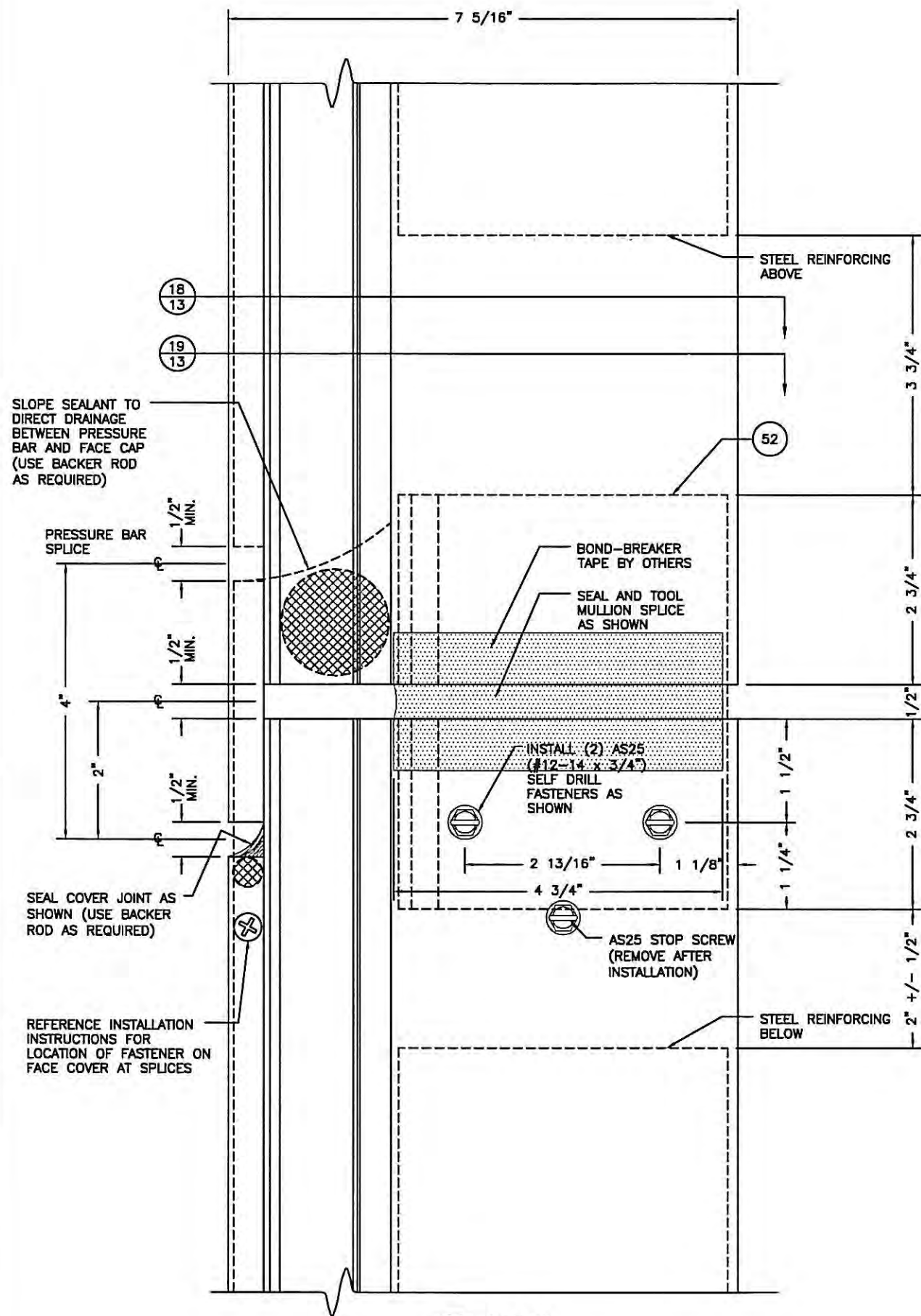
DRAWINGS FOR FLORIDA
PRODUCT APPROVAL

PRODUCT APPROVAL DRAWINGS
PW257 IMPACT-RESISTANT
CURTAIN WALL SYSTEM
PROTOCOLS: TAS 201-202-203
DOOR AND FRAMING DETAILS

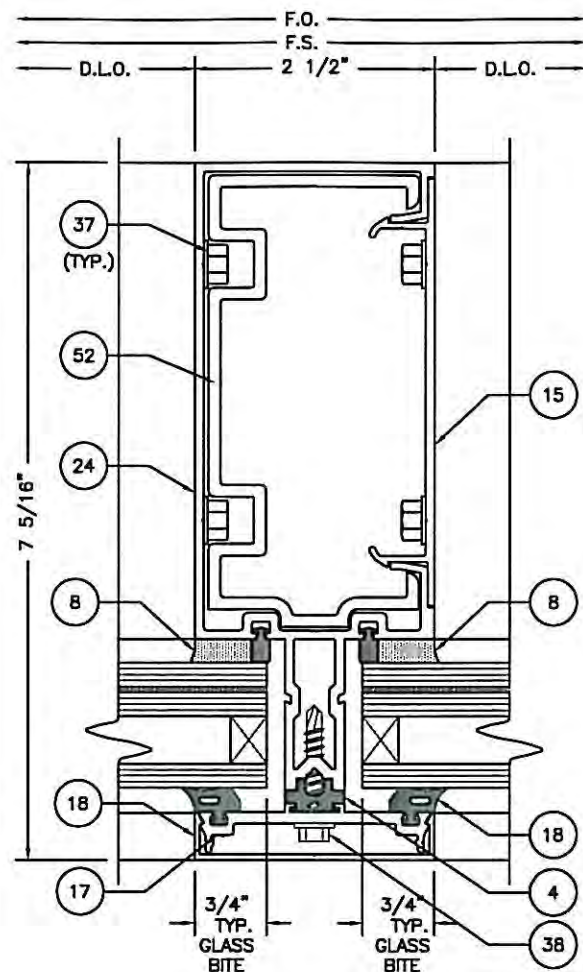
DATE	3/23/2011	
DRAWN	CHECKED	APPROVED
MLL	WS	EAB
PROJECT NO.		
DRAWING NO.	PW257_02	
SHEET	11 OF 23	

Coral
Architectural Products
3010 RICE MINE ROAD, TUSCALOOSA, AL 35406
PHONE: 800-772-7737 FAX: 800-255-7320

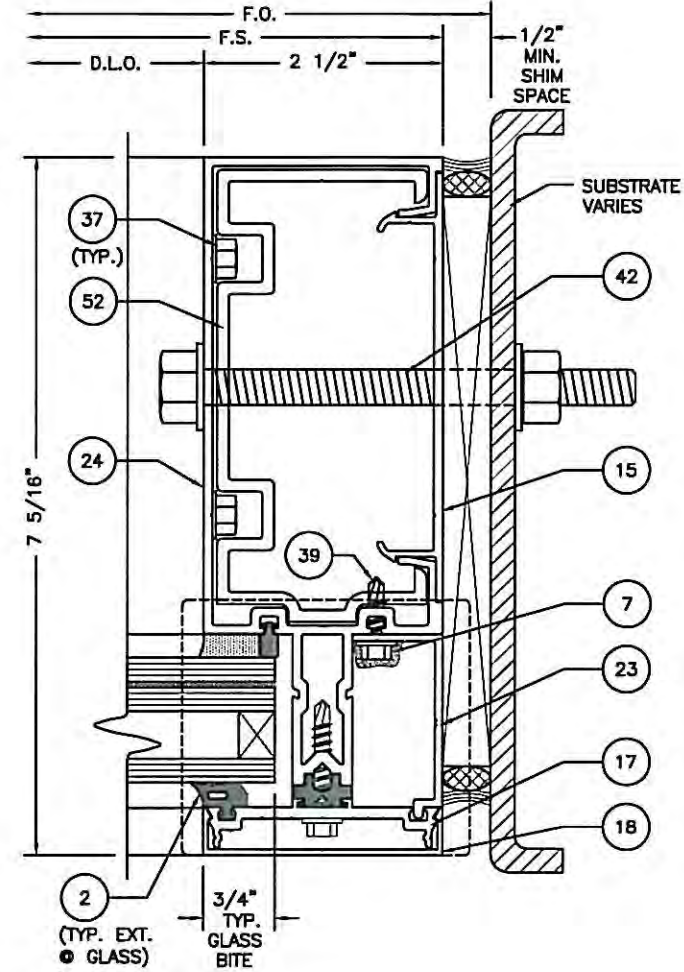
REV	BY	DATE	DESCRIPTION



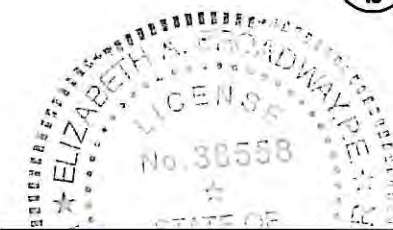
17 **DETAIL**
19 SCALE: 1:2



18 **DETAIL**
19 SCALE: 1:2



19 **DETAIL**
19 SCALE: 1:2



Elizabeth A. Broadway
 ELIZABETH A. BROADWAY
 PROFESSIONAL ENGINEER
 FLORIDA REGISTRATION NO. 38558

B BROADWAY ENGINEERING, P.A.
 CIVIL, MECHANICAL, STRUCTURAL AND BUILDING DESIGN
 See Us At www.Broadway-Eng.Com
 1335 W. Cass Street
 Tampa, Florida 33608 813-251-9244
 Fax 813-251-9330 Bus. Email: Info@Broadway-Eng.Com
 Cadd. Email: DGorr@Broadway-Eng.Com
 BE-3894 Certificate of Authorization No. 4599

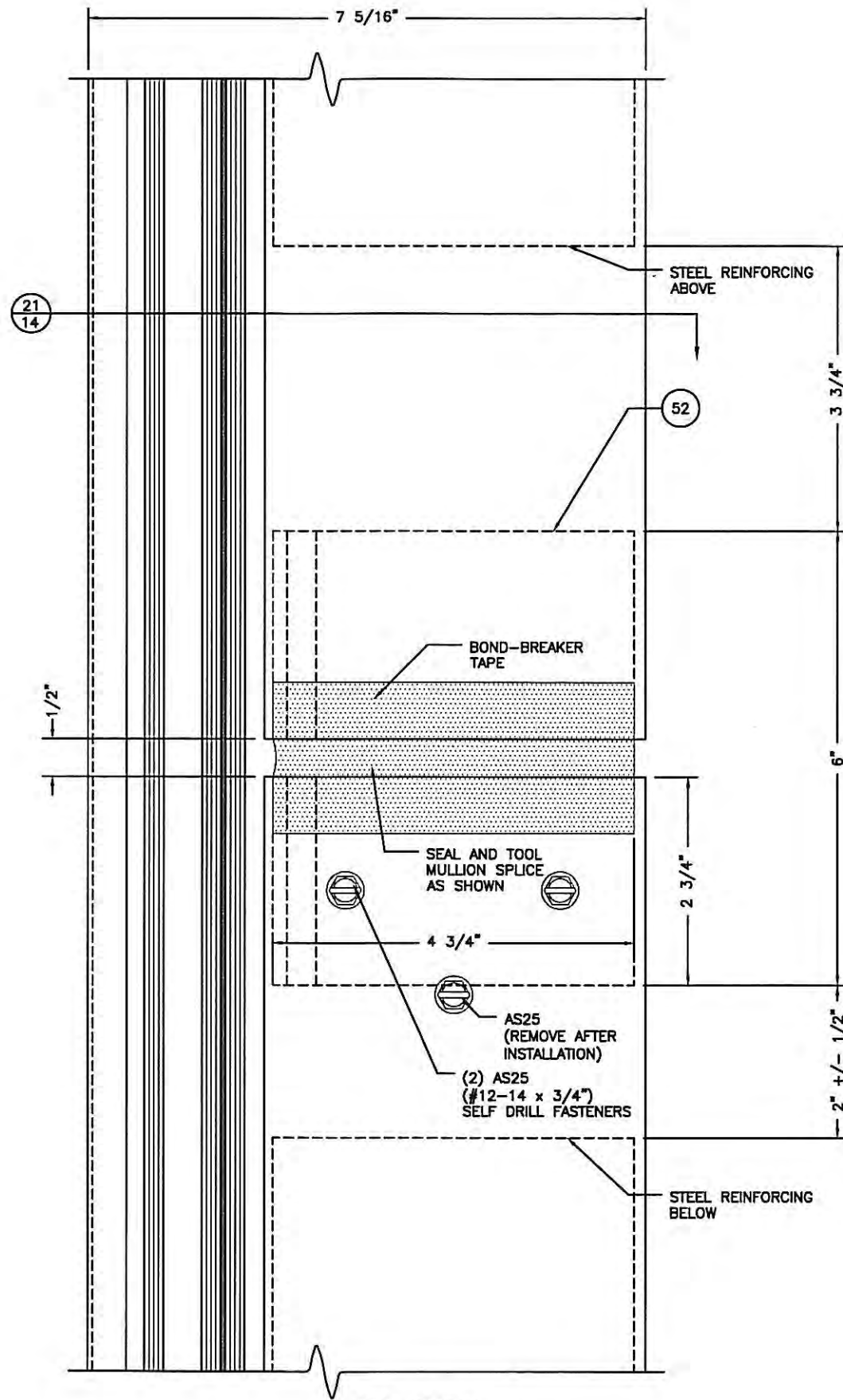
DRAWINGS FOR FLORIDA
 PRODUCT APPROVAL

REV	BY	DATE	DESCRIPTION

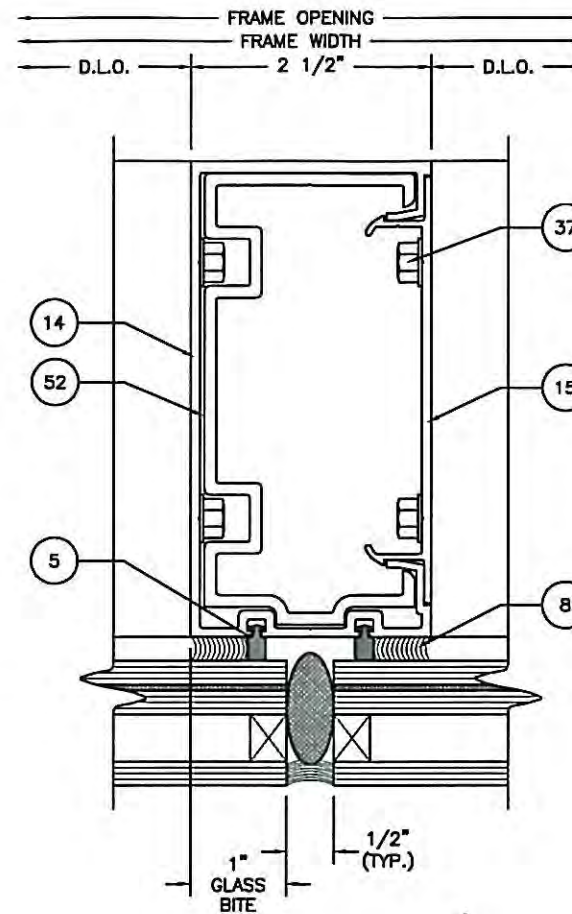
Conal
 Architectural Products
 3010 RICE MINE ROAD, TUSCALOOSA, AL 35406
 PHONE: 800-772-7737 FAX: 800-255-7320

PRODUCT APPROVAL DRAWINGS
 PW257 IMPACT-RESISTANT
 CURTAIN WALL SYSTEM
 PROTOCOLS: TAS 201-202-203
 CAPTURED SPLICE DETAILS

DATE	3/23/2011	
DRAWN	CHECKED	APPROVED
MLL	W5	EAB
PROJECT NO.		
DRAWING NO.	PW257_02	
SHEET	13 OF 23	



20 DETAIL
14 SCALE: 1:2



21 DETAIL
14 SCALE: 1:2



Elizabeth A. Broadway
ELIZABETH A. BROADWAY
PROFESSIONAL ENGINEER
FLORIDA REGISTRATION NO. 38558

B BROADWAY ENGINEERING, P.A.
CIVIL, MECHANICAL, STRUCTURAL AND BUILDING DESIGN
See Us At www.Broadway-Eng.Com
1335 W. Cass Street
Tampa, Florida 33606 813-251-9244
Fax 813-251-9330 Bus. Email: Info@Broadway-Eng.Com
Cadd. Email: DGorr@Broadway-Eng.Com
BE-3894 Certificate of Authorization No. 4599

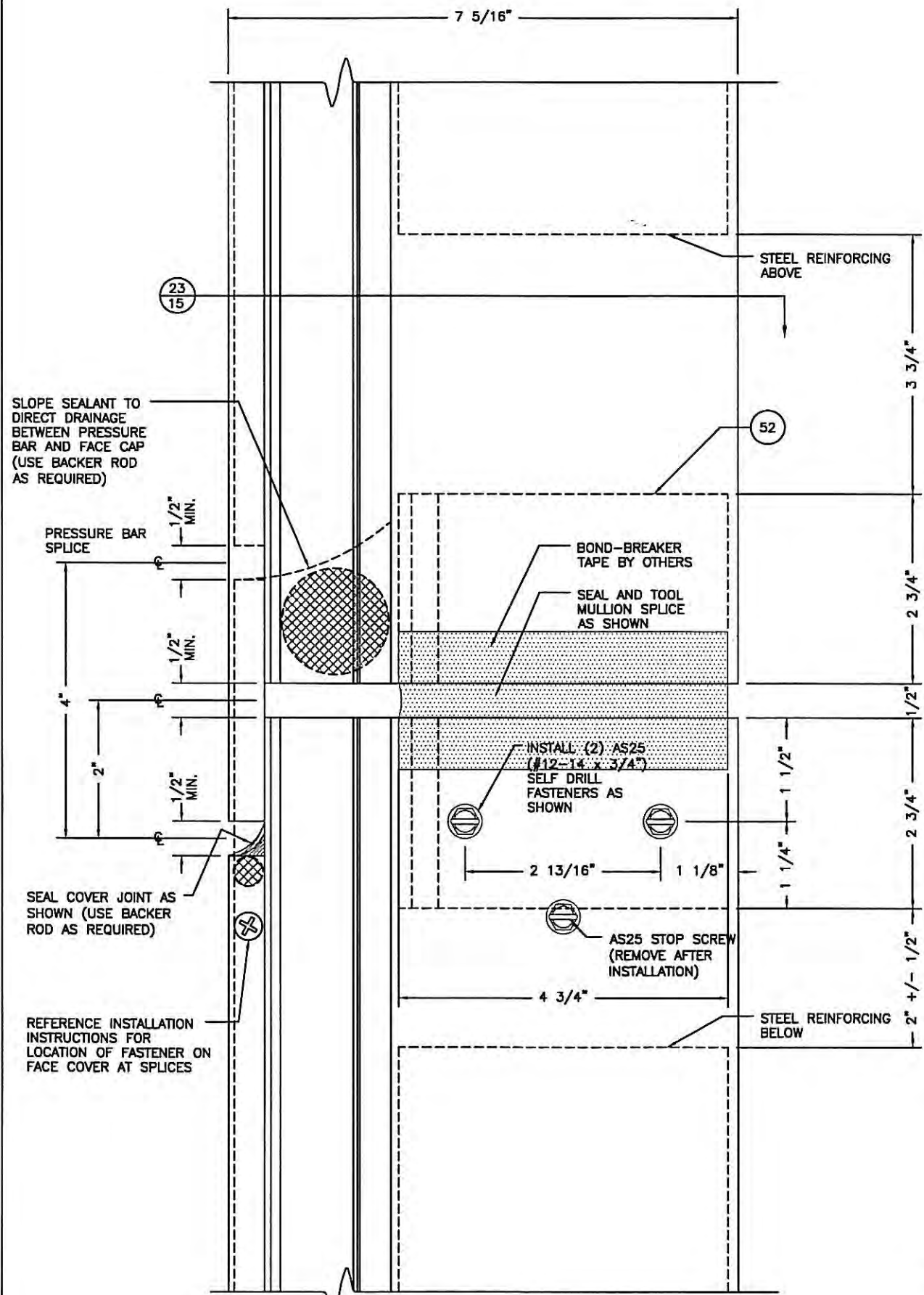
DRAWINGS FOR FLORIDA
PRODUCT APPROVAL

REV	BY	DATE	DESCRIPTION

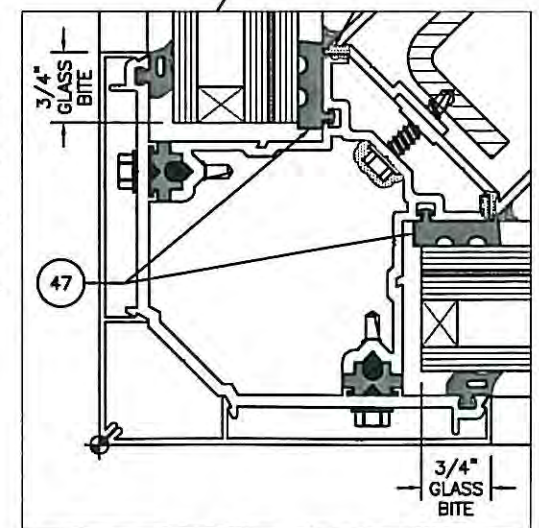
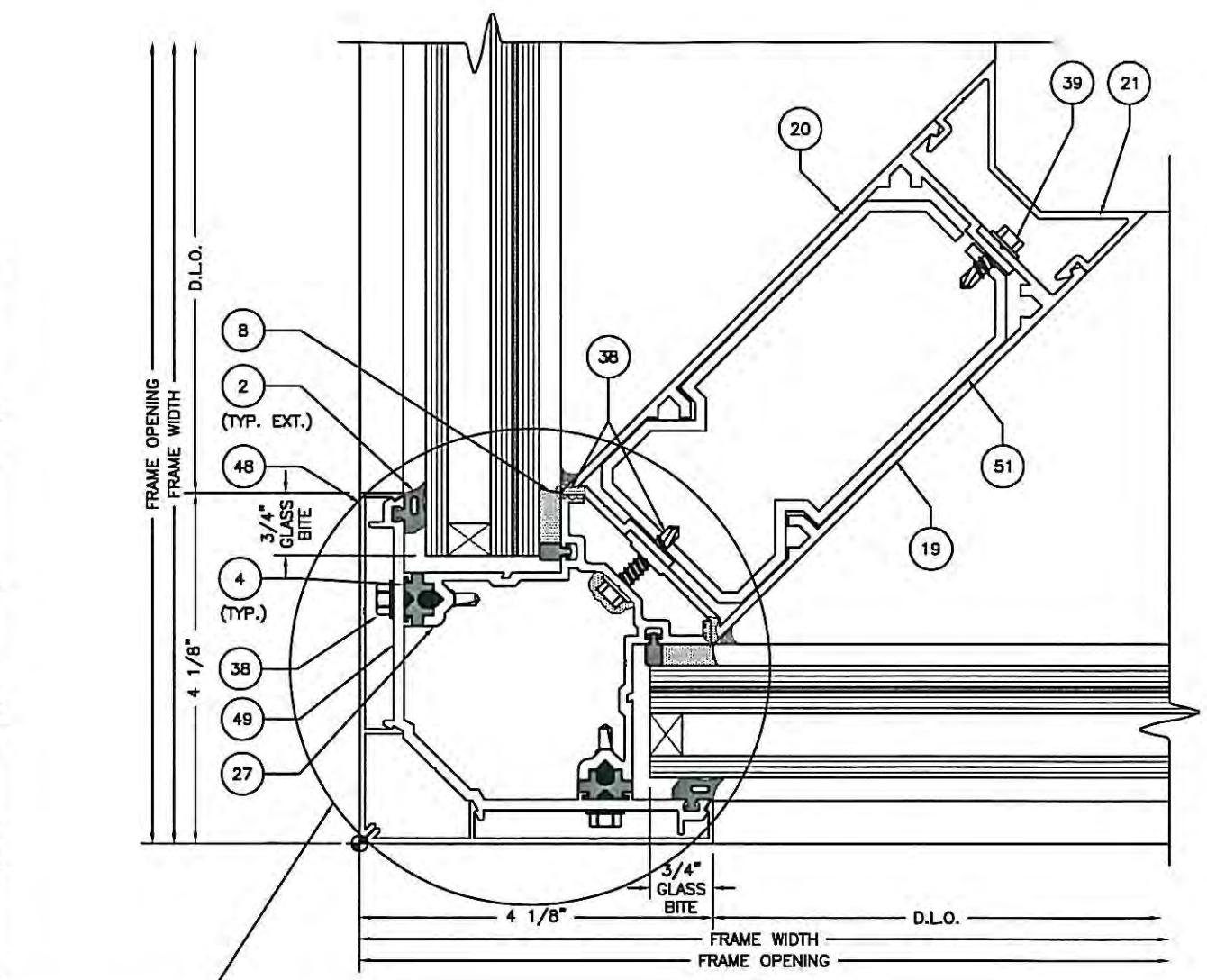
Coral
Architectural Products
3010 RICE MINE ROAD, TUSCALOOSA, AL 35406
PHONE: 800-772-7737 FAX: 800-255-7320

PRODUCT APPROVAL DRAWINGS
PW257 IMPACT-RESISTANT
CURTAIN WALL SYSTEM
PROTOCOLS: TAS 201-202-203
B.G. SPLICE DETAILS

DATE	3/23/2011	
DRAWN	CHECKED	APPROVED
MLL	WS	EAB
PROJECT NO.		
DRAWING NO.	PW257_02	
SHEET	14 OF 23	



22 DETAIL
15 SCALE: 1:2



28 DETAIL
15 SCALE: 1:2

DRY GLAZE GASKET
(0.90 SENTRY GLASS PLUS ONLY TYPE ID)

28 DETAIL
15 SCALE: 1:2

ELIZABETH A. BROADWAY
PROFESSIONAL ENGINEER
FLORIDA REGISTRATION NO. 38558

Elizabeth A. Broadway

ELIZABETH A. BROADWAY
PROFESSIONAL ENGINEER
FLORIDA REGISTRATION NO. 38558

B BROADWAY ENGINEERING, P.A.
CIVIL, MECHANICAL, STRUCTURAL AND BUILDING DESIGN
See Us At www.Broadway-Eng.Com
1335 W. Cass Street
Tampa, Florida 33606 813-251-9244
Fax 813-251-9330 Bus. Email: Info@Broadway-Eng.Com
Cadd. Email: DGorr@Broadway-Eng.Com
BE-3894 Certificate of Authorization No. 4599

REV	BY	DATE	DESCRIPTION

Coral
Architectural Products

3010 RICE MINE ROAD, TUSCALOOSA, AL 35406
PHONE: 800-772-7737 FAX: 800-255-7320

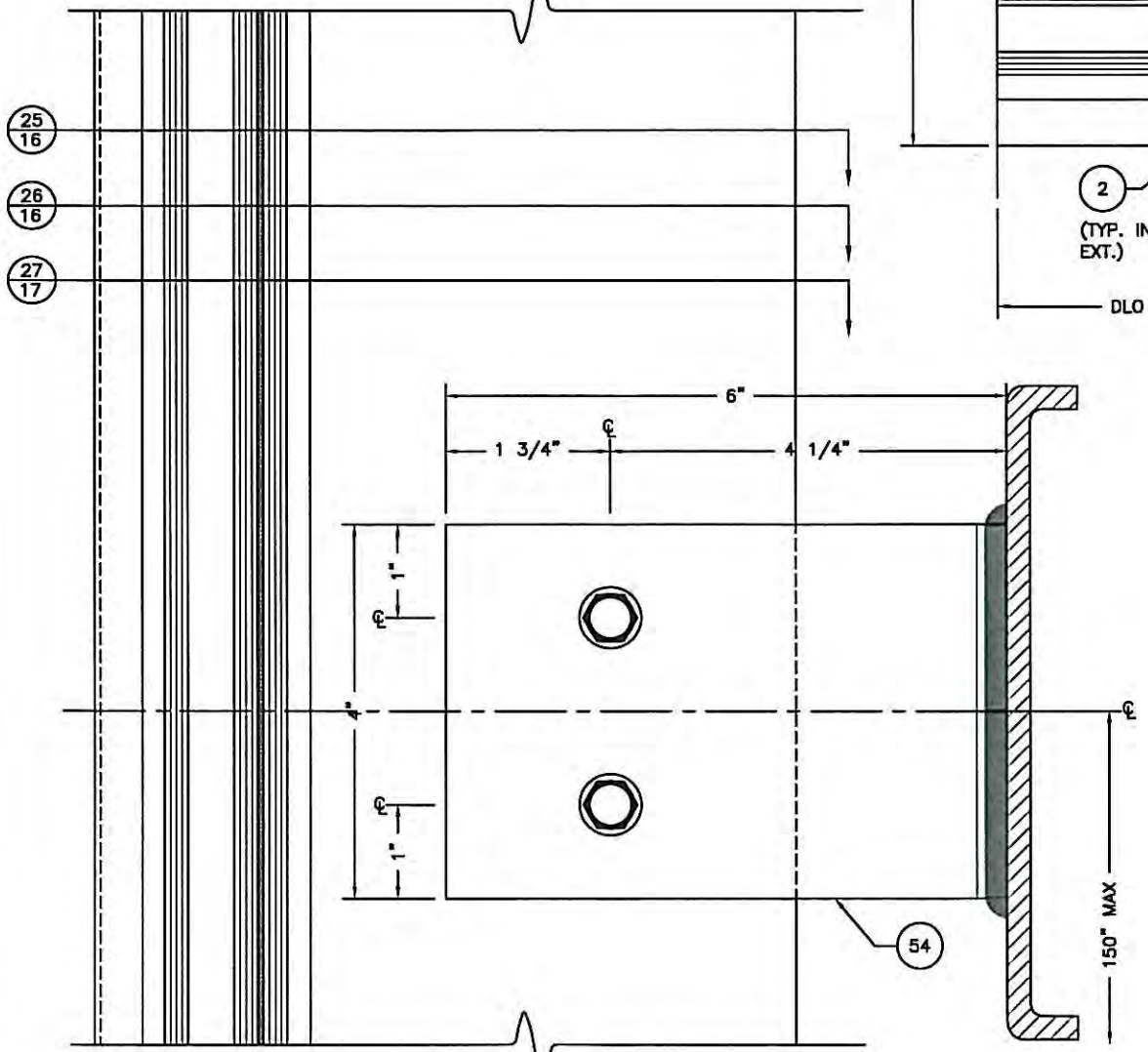
PRODUCT APPROVAL DRAWINGS
PW257 IMPACT-RESISTANT
CURTAIN WALL SYSTEM
PROTOCOLS: TAS 201-202-203
CORNER SPLICE DETAILS

DATE	3/25/2011		
DRAWN	CHECKED	APPROVED	
MLL	W5	EAB	
PROJECT NO.			
DRAWING NO.	PW257_02		
SHEET	15 OF 23		

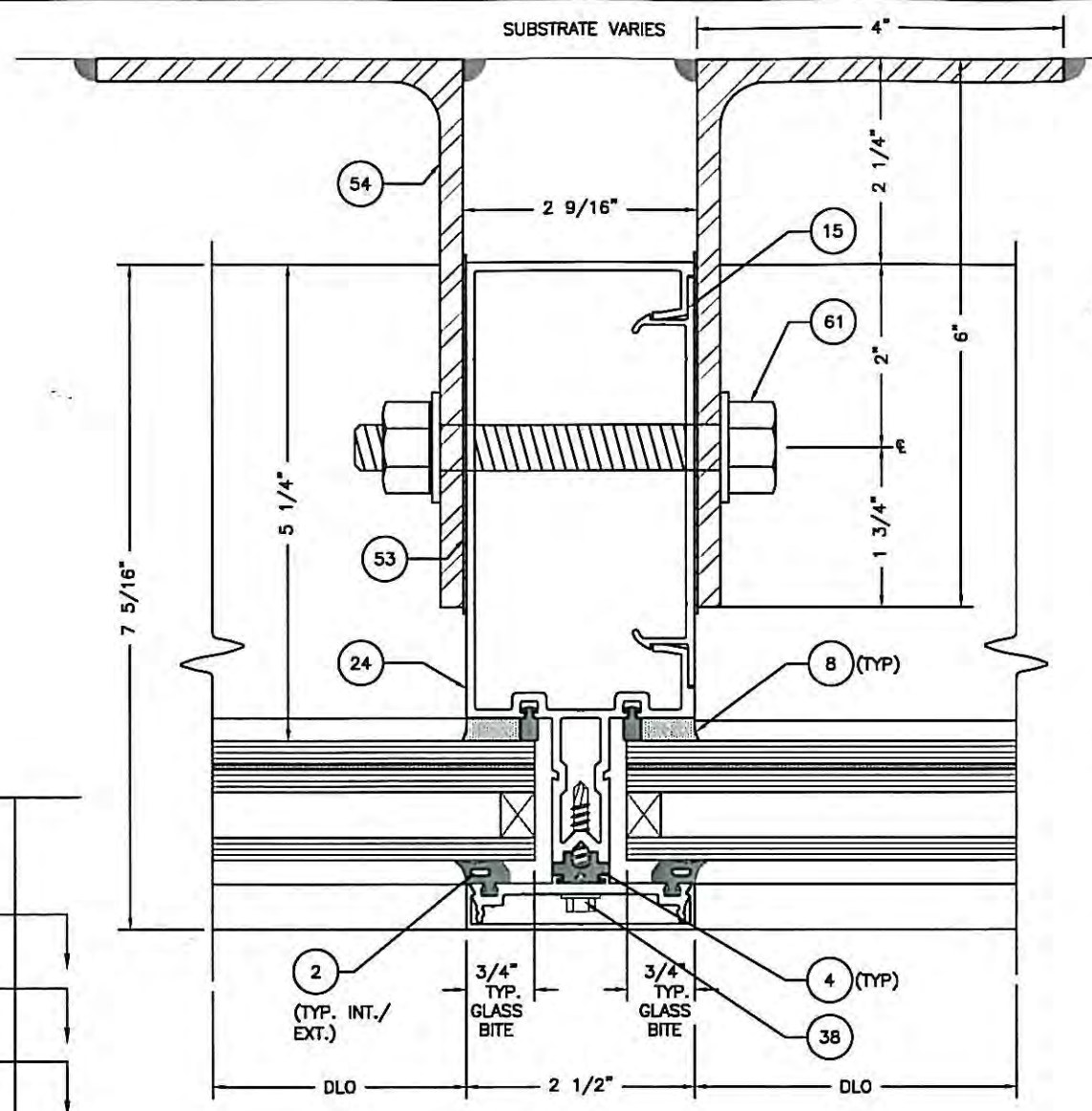
DRAWINGS FOR FLORIDA
PRODUCT APPROVAL

NOTE: MULLIONS ARE TESTED TO 150" MAX SPACING BETWEEN ANCHOR LOCATIONS.

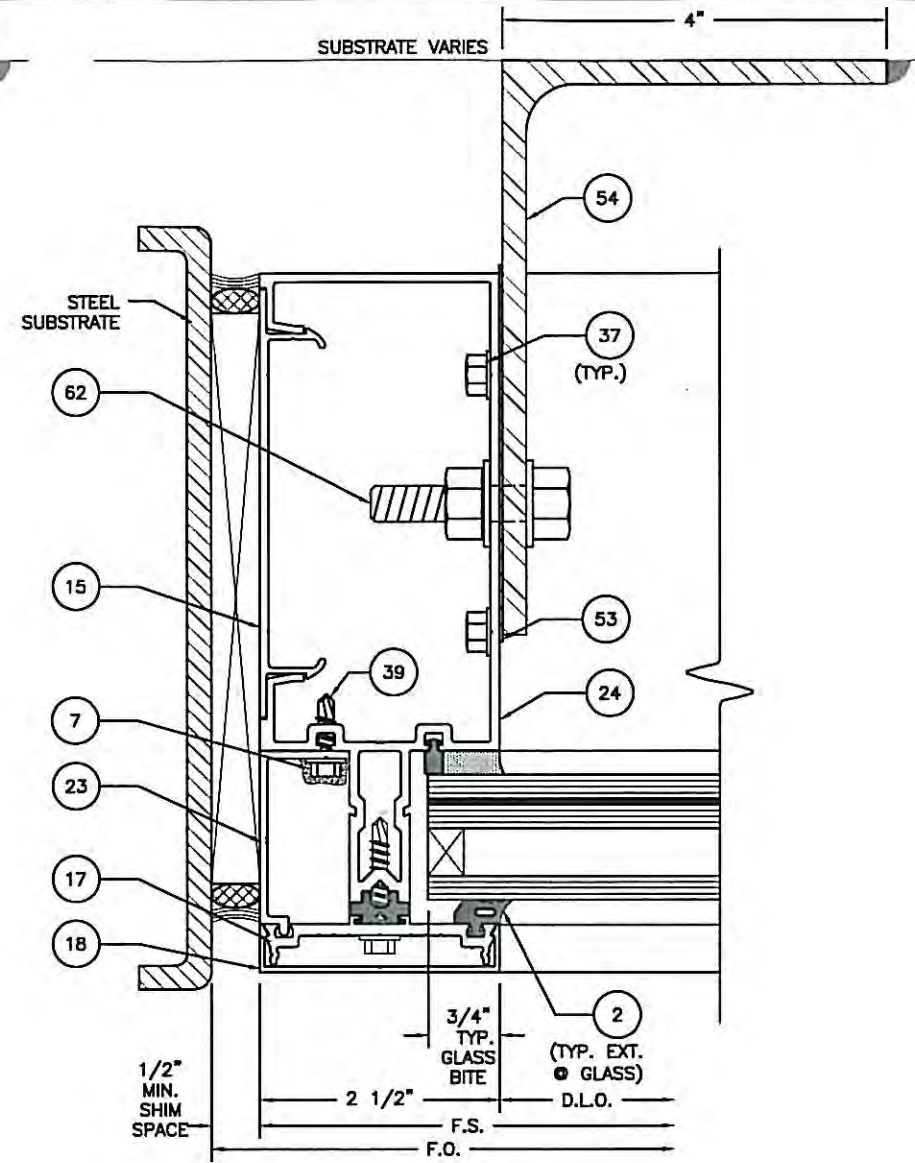
FASTENING OF MID-SPAN ANCHOR TO STRUCTURE SHALL BE DETERMINED BY THE PROJECT PROFESSIONAL ENGINEER



24 DETAIL
SCALE: 1:2



25 DETAIL
SCALE: 1:2



26 DETAIL
SCALE: 1:2



Elizabeth A. Broadway
ELIZABETH A. BROADWAY
PROFESSIONAL ENGINEER
FLORIDA REGISTRATION NO. 38558

B BROADWAY ENGINEERING, P.A.
CIVIL, MECHANICAL, STRUCTURAL AND BUILDING DESIGN
See Us At www.Broadway-Eng.Com
1335 W. Cass Street
Tampa, Florida 33606 813-251-9244
Fax 813-251-9330 Bus. Email: Info@Broadway-Eng.Com
Cadd. Email: DGorr@Broadway-Eng.Com
BE-3894 Certificate of Authorization No. 4599

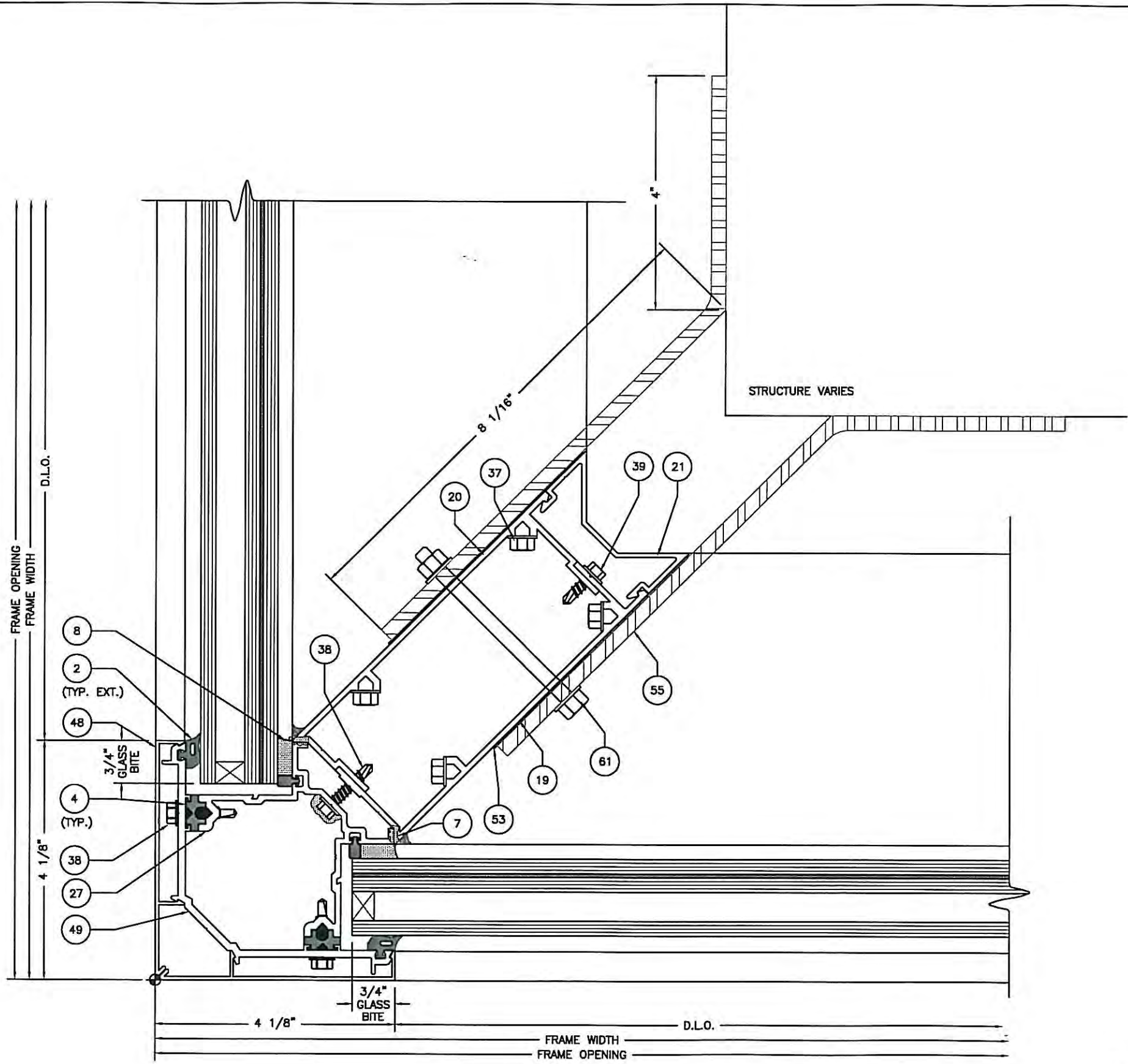
DRAWINGS FOR FLORIDA
PRODUCT APPROVAL

REV	BY	DATE	DESCRIPTION

Conal
Architectural Products
3010 RICE MINE ROAD, TUSCALOOSA, AL 35406
PHONE: 800-772-7737 FAX: 205-255-7320

PRODUCT APPROVAL DRAWINGS
PW257 IMPACT-RESISTANT
CURTAIN WALL SYSTEM
PROTOCOLS: TAS 201-202-203
ANCHOR DETAILS

DATE	4/26/2011	
DRAWN	CHECKED	APPROVED
MLL	WS	EAB
PROJECT NO.		
DRAWING NO.	PW257_02	
SHEET	16 OF 23	



NOTE: MULLIONS ARE TESTED TO 150" MAX SPACING BETWEEN ANCHOR LOCATIONS.

FASTENING OF MID-SPAN ANCHOR TO STRUCTURE SHALL BE DETERMINED BY THE PROJECT PROFESSIONAL ENGINEER

STRUCTURE VARIES



Elizabeth A. Broadway
 ELIZABETH A. BROADWAY
 PROFESSIONAL ENGINEER
 FLORIDA REGISTRATION NO. 38558

B BROADWAY ENGINEERING, P.A.
 CIVIL, MECHANICAL, STRUCTURAL AND BUILDING DESIGN
 See Us At www.Broadway-Eng.Com
 1335 W. Cass Street
 Tampa, Florida 33606 813-251-9244
 Fax 813-251-9330 Bus. Email: Info@Broadway-Eng.Com
 Cadd. Email: DCorr@Broadway-Eng.Com
 BE-3894 Certificate of Authorization No. 4599

DRAWINGS FOR FLORIDA
 PRODUCT APPROVAL

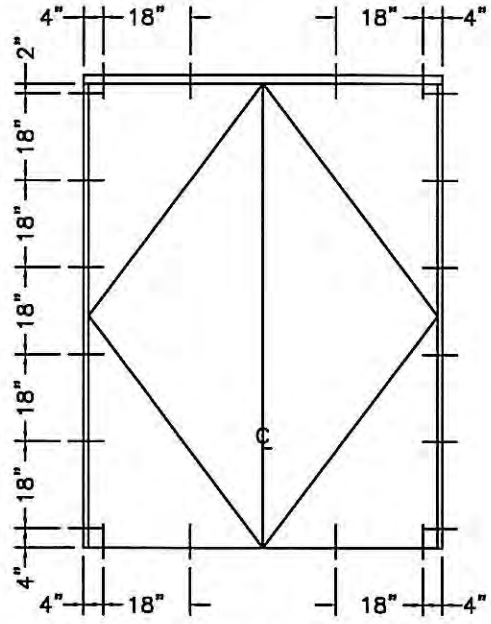
REV	BY	DATE	DESCRIPTION

Coral
 Architectural Products
 3010 RICE MINE ROAD, TUSCALOOSA, AL 35406
 PHONE: 800-772-7737 FAX: 800-255-7320

PRODUCT APPROVAL DRAWINGS
 PW257 IMPACT-RESISTANT
 CURTAIN WALL SYSTEM
 PROTOCOLS: TAS 201-202-203
 CORNER ANCHOR DETAIL

27 DETAIL
 17 SCALE: 1:2

DATE	4/26/2011	
DRAWN	CHECKED	APPROVED
MLL	WS	EAB
PROJECT NO.		
DRAWING NO.	PW257_02	
SHEET	17 OF 23	



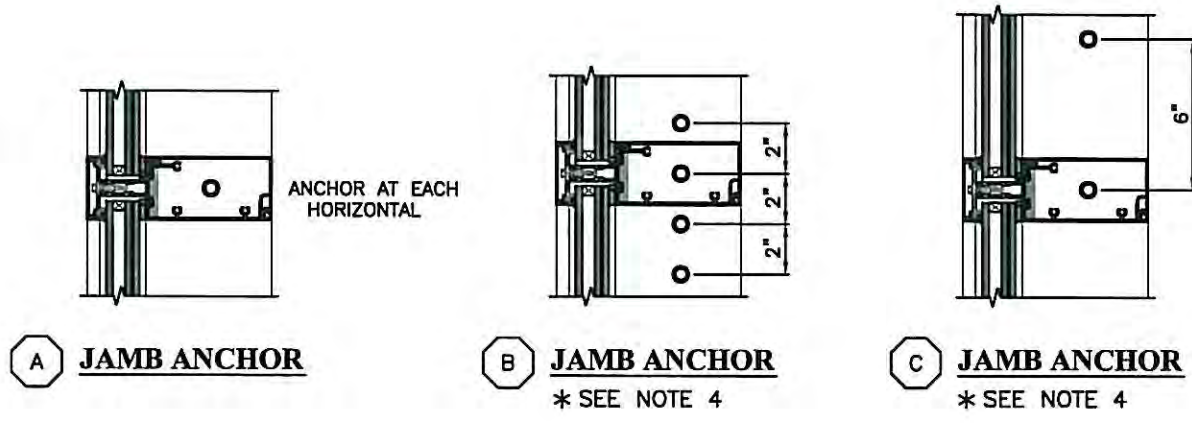
H LOCATIONS FOR DOOR SUB-FRAME ATTACHMENT TO CURTAIN WALL ALUMINUM

ANCHOR CHART

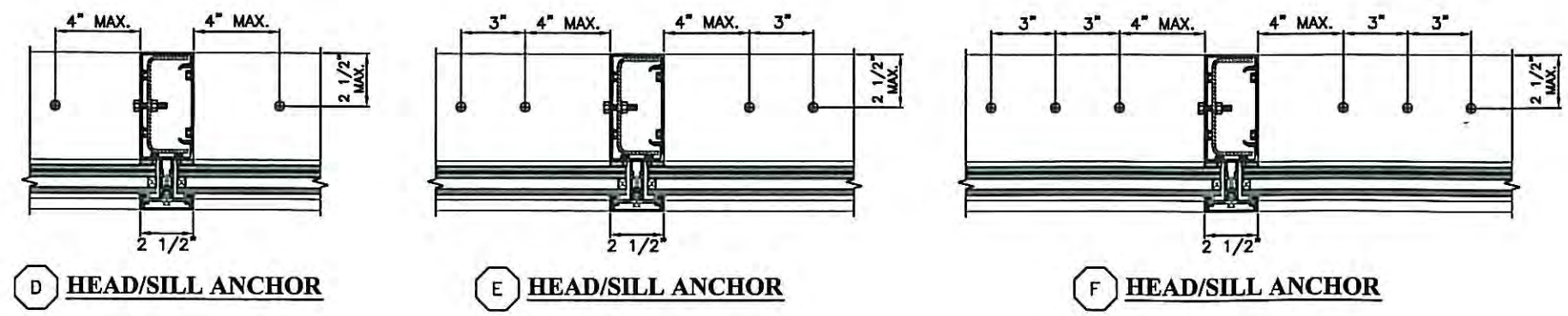
Bolt Type	Location	Min. Embedment	Min. Edge Distance	Anchor Type Mark	
				65 PSF	80 PSF
1 Concrete - Min. 3,000 psi					
1/2" x 4 1/2" Large Diameter Tapcon	Head/Sill	3 1/2"	2 1/2"	D	F
1/2" x 4 1/2" Wedge Bolt (See Note 5)	Head/Sill	3 1/2"	2 1/2"	D	E, F
1/2" x 5" Large Diameter Tapcon (See Note 4)	Jamb	2 1/2"	2 1/2"	A	C
1/2" x 5" Wedge Bolt (See Note 4)	Jamb	2 1/2"	2 1/2"	A	C
1/4" x 2" Tapcon	Threshold	1 1/4"	2"	H	H
2 Steel - 1/4" Minimum Thickness					
1/2" - 13 x 2" Grade 5 HHB, Nut and Washers	Head/Sill	Through Bolt	N/A	D	D
1/2" - 13 x 4 1/2" Grade 5 HHB, Nut and Washers	Jamb	Through Bolt	N/A	A	A
3/4" - 10 x 4 1/2" Grade 5 HHB, Nut and Washers	Twin Span C lips at Verticals and Jamb Through Bolt All Locations				
3 Steel Stud - Minimum 18 Gauge					
#12 x 1 1/4" HWH Self Drill (AS 32)	Head/Sill	N/A	3/4"	E	G
#12 x 1 1/4" HWH Self Drill (AS 32) (See Note 4)	Jamb	N/A	3/4"	A	B
#12 x 1 1/4" HWH Self Drill (AS 32)	Sub Frame Jamb and Head			H	H

Notes:

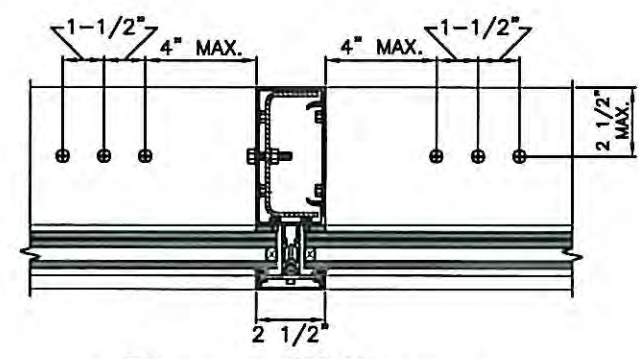
- All Anchors begin 4" from inside of Jamb or Vertical at head and sill Locations.
- Jamb Anchors are at Horizontal Locations Only
- Typical Applications shown above. Concrete and Steel can be used in same application (Example - 1. Concrete at Sill with 2. Steel at Head)
- PW650/202 Jamb with SR150 Steel & Jamb Anchor type A may be substituted for listed Jamb Anchoring.
- Head/Sill Anchor Type F is required for Mullion Spacing > 5.0 FT.



A JAMB ANCHOR
B JAMB ANCHOR * SEE NOTE 4
C JAMB ANCHOR * SEE NOTE 4



D HEAD/SILL ANCHOR
E HEAD/SILL ANCHOR
F HEAD/SILL ANCHOR



G HEAD/SILL ANCHOR

Elizabeth A. Broadway
 ELIZABETH A. BROADWAY
 PROFESSIONAL ENGINEER
 FLORIDA REGISTRATION NO. 38558

B BROADWAY ENGINEERING, P.A.
 CIVIL, MECHANICAL, STRUCTURAL AND BUILDING DESIGN
 See Us At www.Broadway-Eng.Com
 1335 W. Cass Street
 Tampa, Florida 33606 813-251-9244
 Fax 813-251-9330 Bus. Email: Info@Broadway-Eng.Com
 Cadd. Email: DCorr@Broadway-Eng.Com
 BE-3894 Certificate of Authorization No. 4599

REV	BY	DATE	DESCRIPTION

Conal
 Architectural Products
 3010 RICE MINE ROAD, TUSCALOOSA, AL 35406
 PHONE: 800-772-7737 FAX: 800-255-7320

PRODUCT APPROVAL DRAWINGS
 PW257 IMPACT-RESISTANT
 CURTAIN WALL SYSTEM
 PROTOCOLS: TAS 201-202-203
 ANCHOR CHART

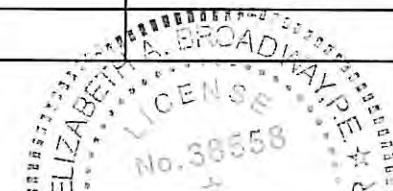
DATE	5/10/2011	
DRAWN	CHECKED	APPROVED
MLL	WS	EAB
PROJECT NO.		
DRAWING NO.	PW257_02	
SHEET	18 OF 23	

DRAWINGS FOR FLORIDA
 PRODUCT APPROVAL

BILL OF MATERIALS

ITEM NO.	P/N	DESCRIPTION	DIMENSIONS	MATERIAL	MANUFACTURER	NOTES
31	SR150	REINFORCEMENT CHANNEL	4.500 X 1.875 X 0.250	A36 STEEL	VARIES	STEEL REINFORCEMENT FOR (14) AND (24)
32	SR504	REINFORCEMENT CHANNEL	4.625 X 1.4375 X 0.250	A36 STEEL	VARIES	STEEL REINFORCEMENT FOR (19) AND (20)
33		SR150 WITH REINFORCEMENT BAR	3.750 X 0.500	A36 STEEL	VARIES	STEEL REINFORCEMENT FOR (14) AND (24)
34		SR150 WITH REINFORCEMENT BAR	3.750 X 0.750	A36 STEEL	VARIES	STEEL REINFORCEMENT FOR (14) AND (24)
35	FL207	DOOR HEADER	1.750 X 4.500 X 0.085	6063-T6 ALUMINUM	CORAL INDUSTRIES, INC.	
36	AS13	SQUARE NUT	1.475 X 1.475 X .180	STEEL	VARIES	
37	AS16	FASTENER	#14 X 1" HHSTS	STEEL	VARIES	TYP. SPLINE SCREW
38	AS32	FASTENER	#12 x 1-1/4" HWH #3 SELF DRILL	STEEL	VARIES	
39	AS25	FASTENER	#12 x 3/4" HWH SELF DRILL	STEEL	VARIES	
40	AS37	FASTENER	#12 X 2" HWH SELF DRILL	STEEL	VARIES	
41	FASTENER	PERIMETER ANCHOR TO STEEL SUBSTRATE	1/2"-13 X 2" BOLT WITH WASHER AND NUT	STEEL	VARIES	
42	FASTENER	PERIMETER ANCHOR TO STEEL SUBSTRATE	1/2"-13 X 4-1/2" BOLT WITH WASHER AND NUT	STEEL	VARIES	
43	FASTENER	PERIMETER ANCHOR TO CONCRETE SUBSTRATE	1/2"X3-1/2" MIN. EMBED WEDGE ANCHOR POWERS	STEEL	VARIES	
44	FASTENER	PERIMETER ANCHOR TO STEEL SUBSTRATE	#12 X 1-1/2" PFH SELF DRILL	STEEL	VARIES	
45	FASTENER	STEEL REINFORCEMENT ATTACHMENT	1/4-20 X 2" BOLT WITH WASHER AND NUT	STEEL	VARIES	
46	FASTENER	THROUGH BOLT	1/4-20 X 3" BOLT WITH WASHER AND NUT	STEEL	VARIES	USED @ HORIZONTALS
47	NG16	DRY GLAZE INTERIOR SPACER GASKET	0.260 SPACE	EPDM	VARIES	MEETS ASTM C-864
48	PW658	CORNER FACE COVER	4.064 X .500 X 0.078	6063-T6 ALUM	CORAL INDUSTRIES, INC.	
49	PW654	CORNER PRESSURE BAR	3.954 X 3.954 X .125	6063-T6 ALUM	CORAL INDUSTRIES, INC.	
50	SP214	CORNER MULLION CAP	4.000 X 3.826 X 0.048	6063-T6 ALUM	CORAL INDUSTRIES, INC.	LOCATE @ TOP AND BOTTOM OF VERTICAL CORNER MULLION
51	PW211	CORNER SPLICE SLEEVE	5.042 X 1.064 X .125	6063-T6 ALUM	CORAL INDUSTRIES, INC.	
52	PW207	MULLION SPLICE SLEEVE	4.735 X 2.196 X .125	6063-T6 ALUM	CORAL INDUSTRIES, INC.	
53		NYLATRON PAD	VARIES	NYLATERON	VARIES	@ ANCHORS
54	NBCAP	STEEL ANGLE	6" X 4" X .25"	A36 STEEL	VARIES	
55	NBCAP	CORNER ANGLE	8.0625" X 4" X .25"	A36 STEEL	VARIES	

(CONTINUED ON SHEET 21)


 ELIZABETH A. BROADWAY
 PROFESSIONAL ENGINEER
 FLORIDA REGISTRATION NO. 38558


BROADWAY ENGINEERING, P.A.
 CIVIL, MECHANICAL, STRUCTURAL AND BUILDING DESIGN
 See Us At www.Broadway-Eng.Com
1335 W. Cass Street
Tampa, Florida 33606 813-251-9244
 Fax 813-251-9330 Bus. Email: Info@Broadway-Eng.Com
 Cadd. Email: DGorr@Broadway-Eng.Com
 BE-3894 Certificate of Authorization No. 4599

DRAWINGS FOR FLORIDA
PRODUCT APPROVAL

DATE	REV	BY	DESCRIPTION


 Coral Architectural Products
 3010 RICE MINE ROAD, TUSCALOOSA, AL 35406
 PHONE: 800-772-7737 FAX: 800-255-7320

PRODUCT APPROVAL DRAWINGS
 PW257 IMPACT-RESISTANT
 CURTAIN WALL SYSTEM
 PROTOCOLS: TAS 201-202-203
 BILL OF MATERIALS

DATE	4/26/2011	
DRAWN	CHECKED	APPROVED
MLL	WS	EAB
PROJECT NO.		
DRAWING NO.	PW257_02	
SHEET	20 OF 23	

