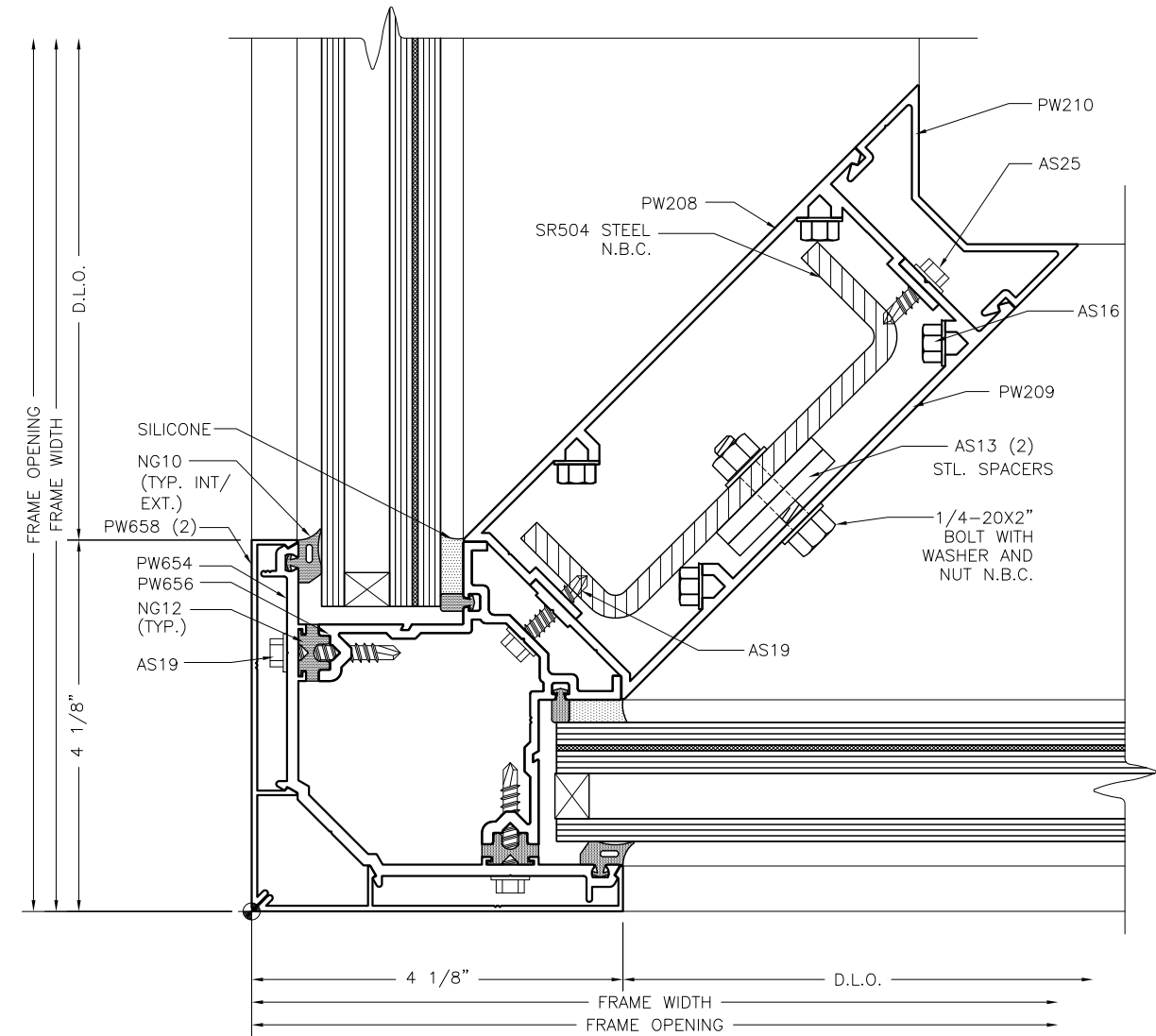
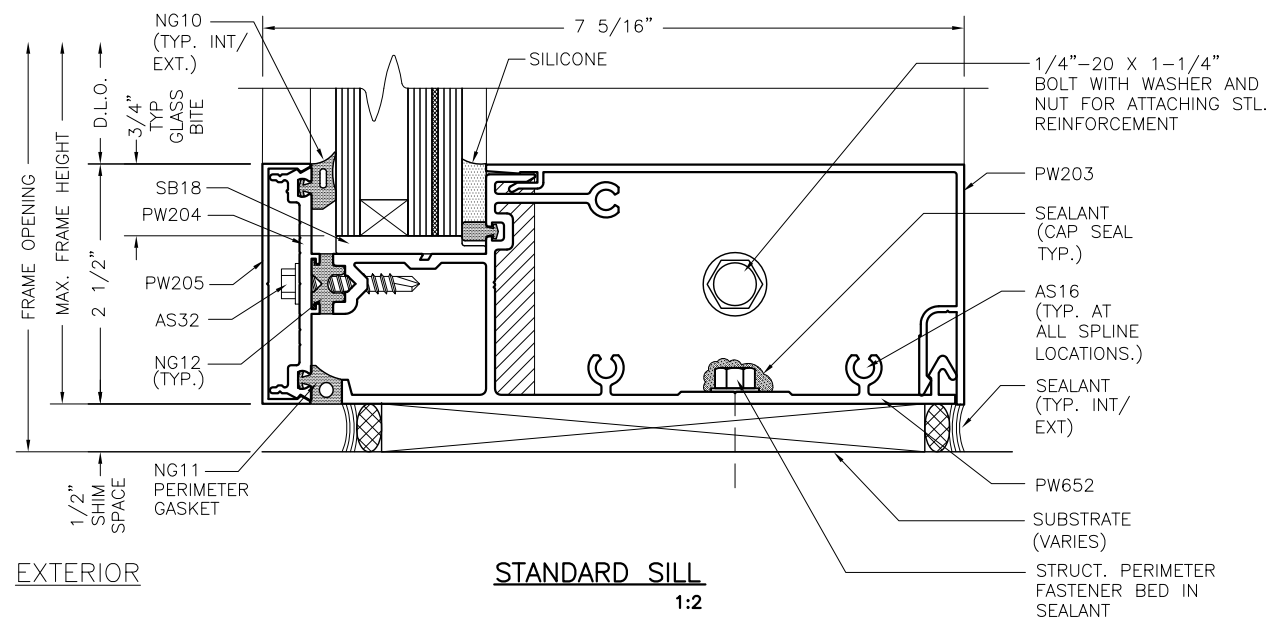
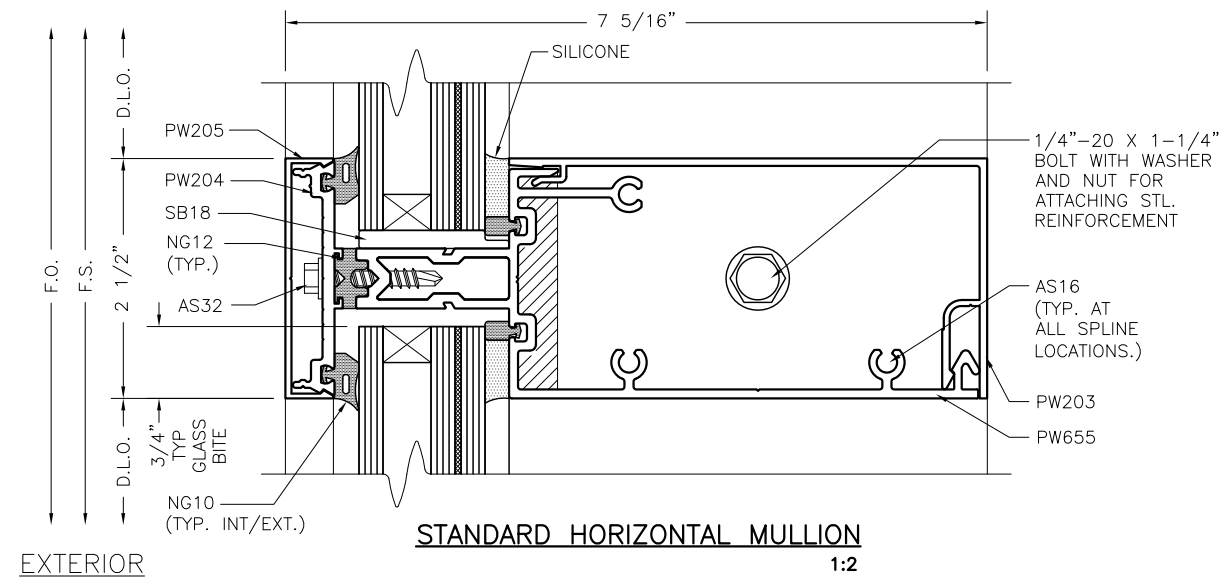
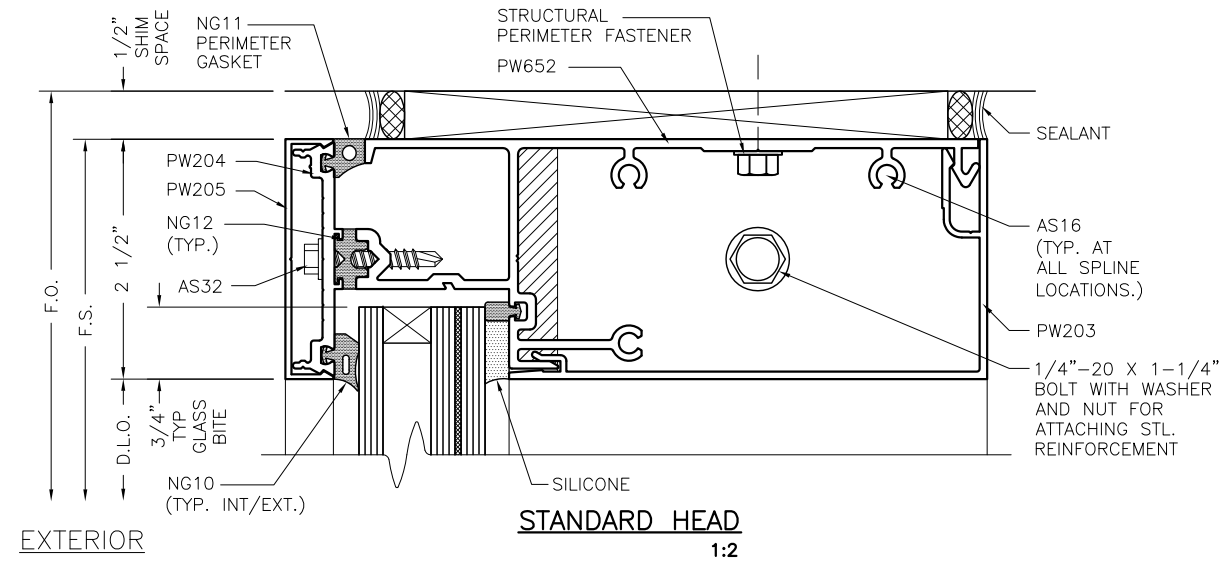
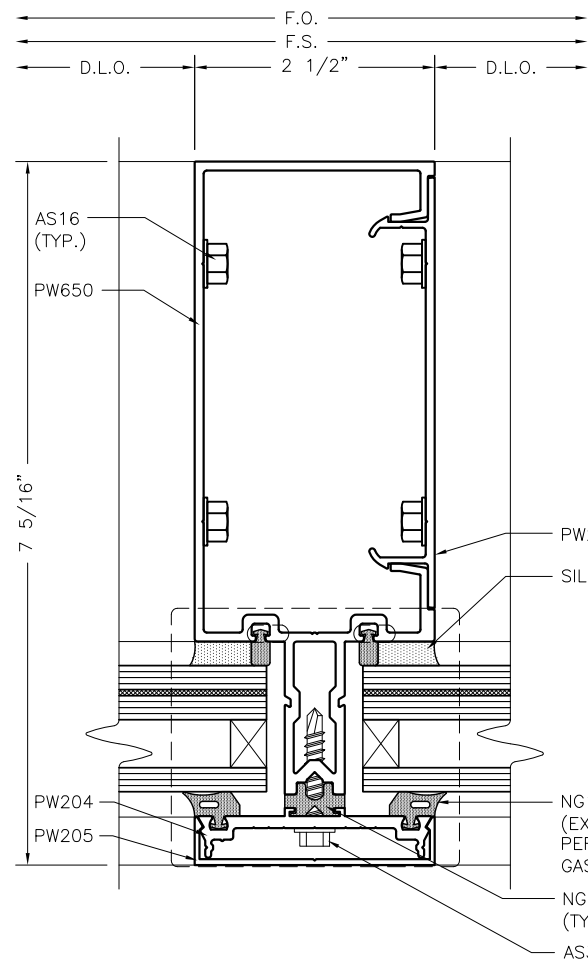


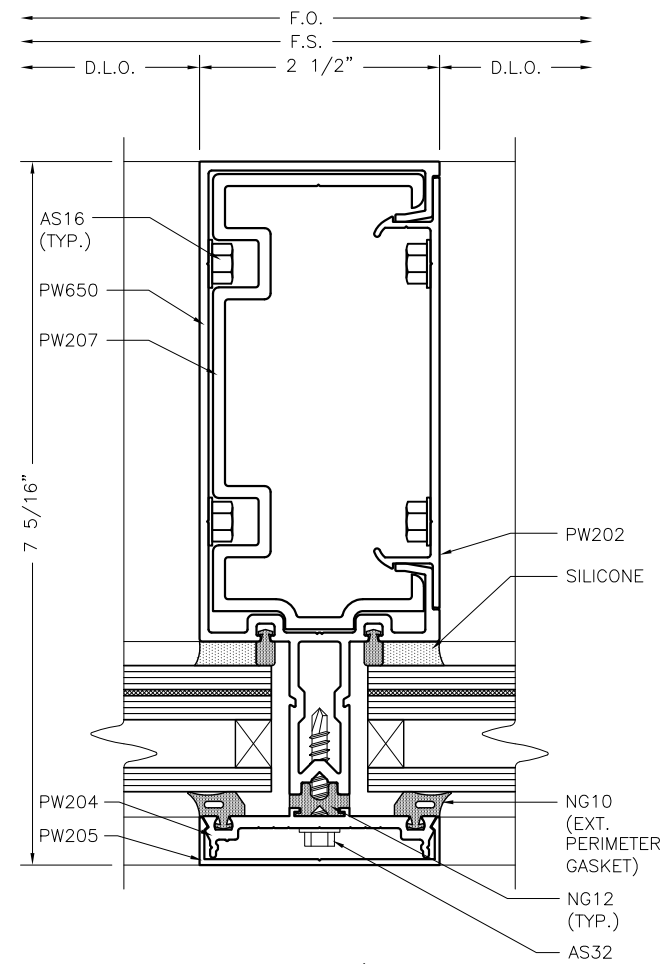
ARCHITECTURAL DETAILS: PW257



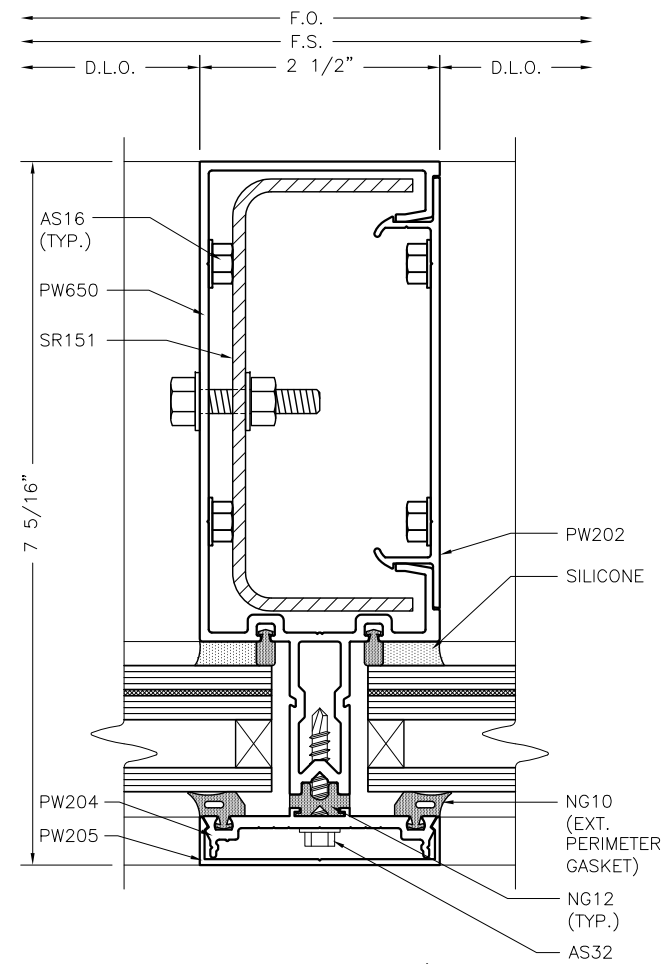
90° CORNER FOR 1-5/16" IMPACT GLASS
1:2



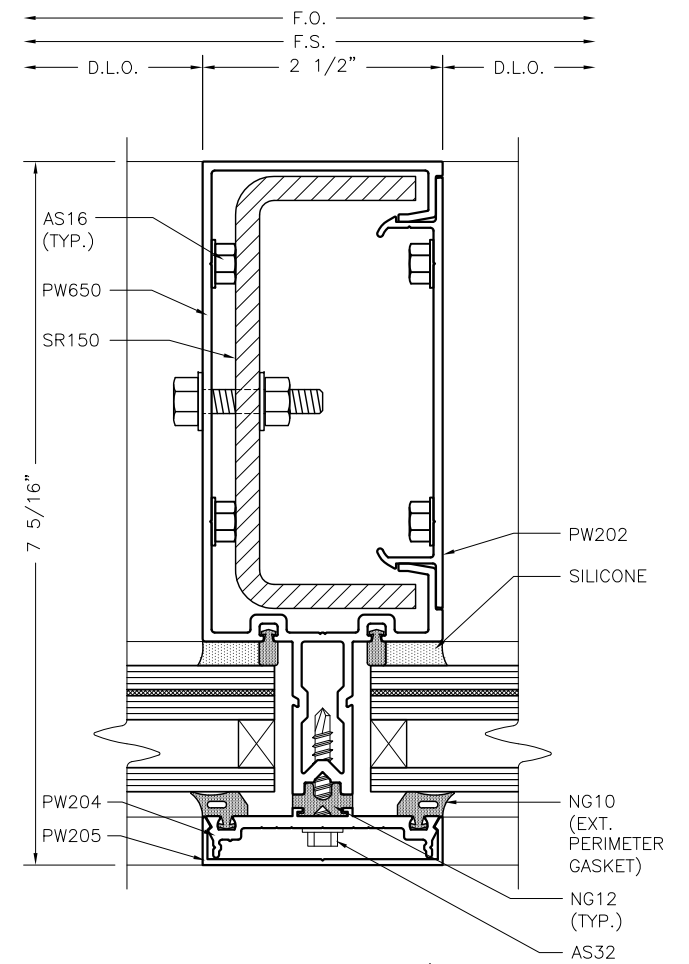
VERTICAL MULLION
1:2



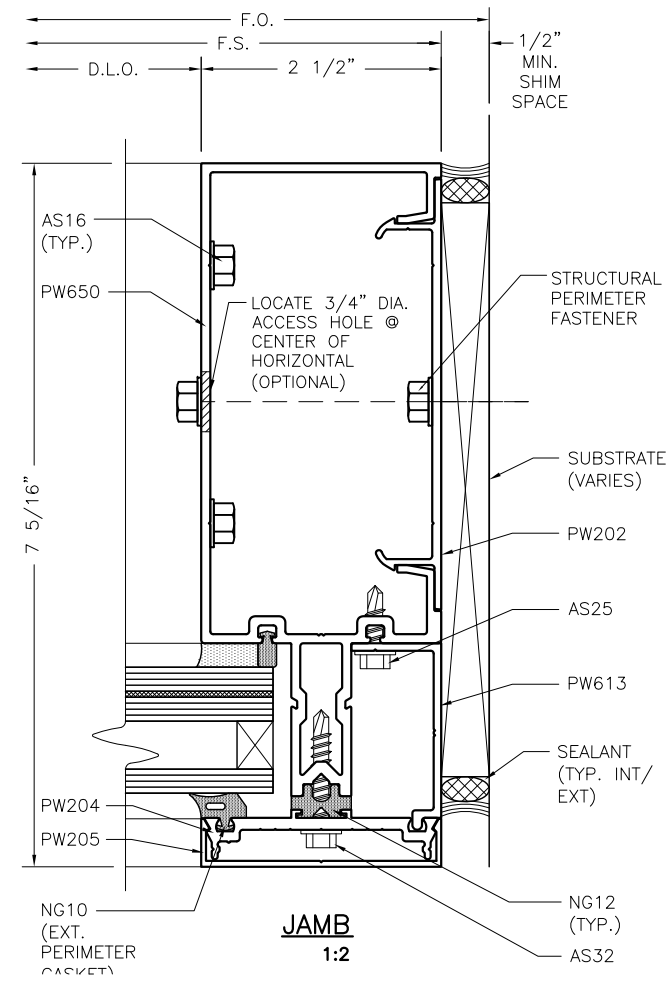
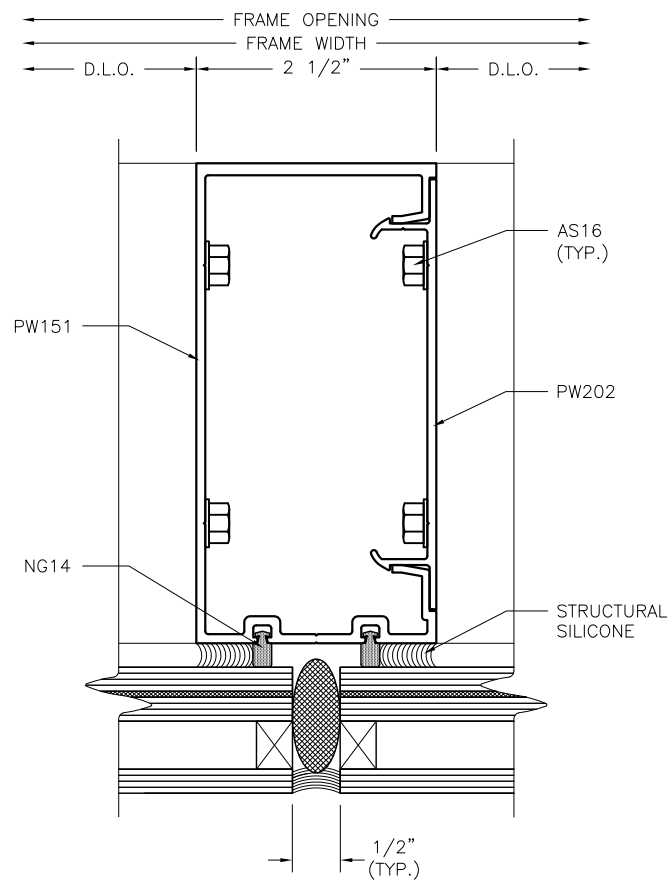
VERTICAL MULLION W/SPLICE SLEEVE
1:2



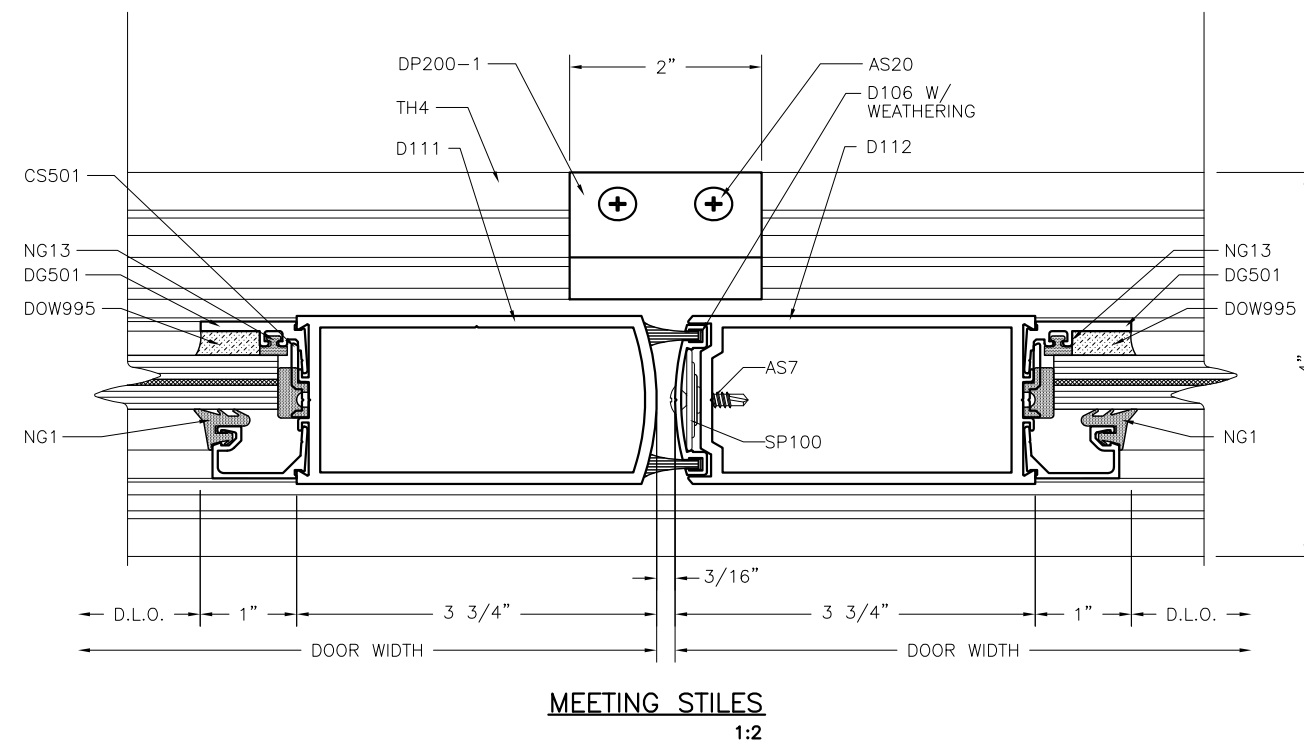
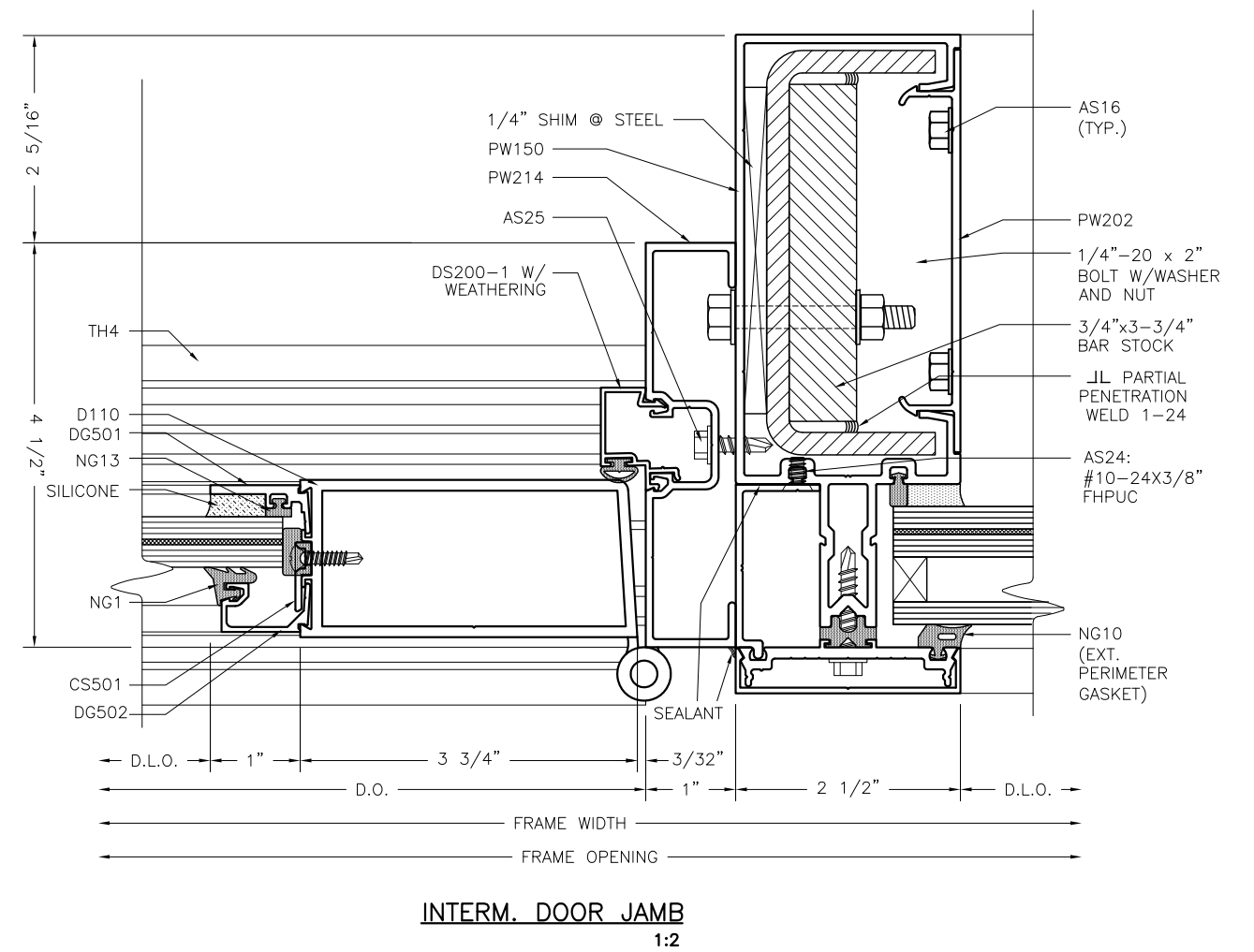
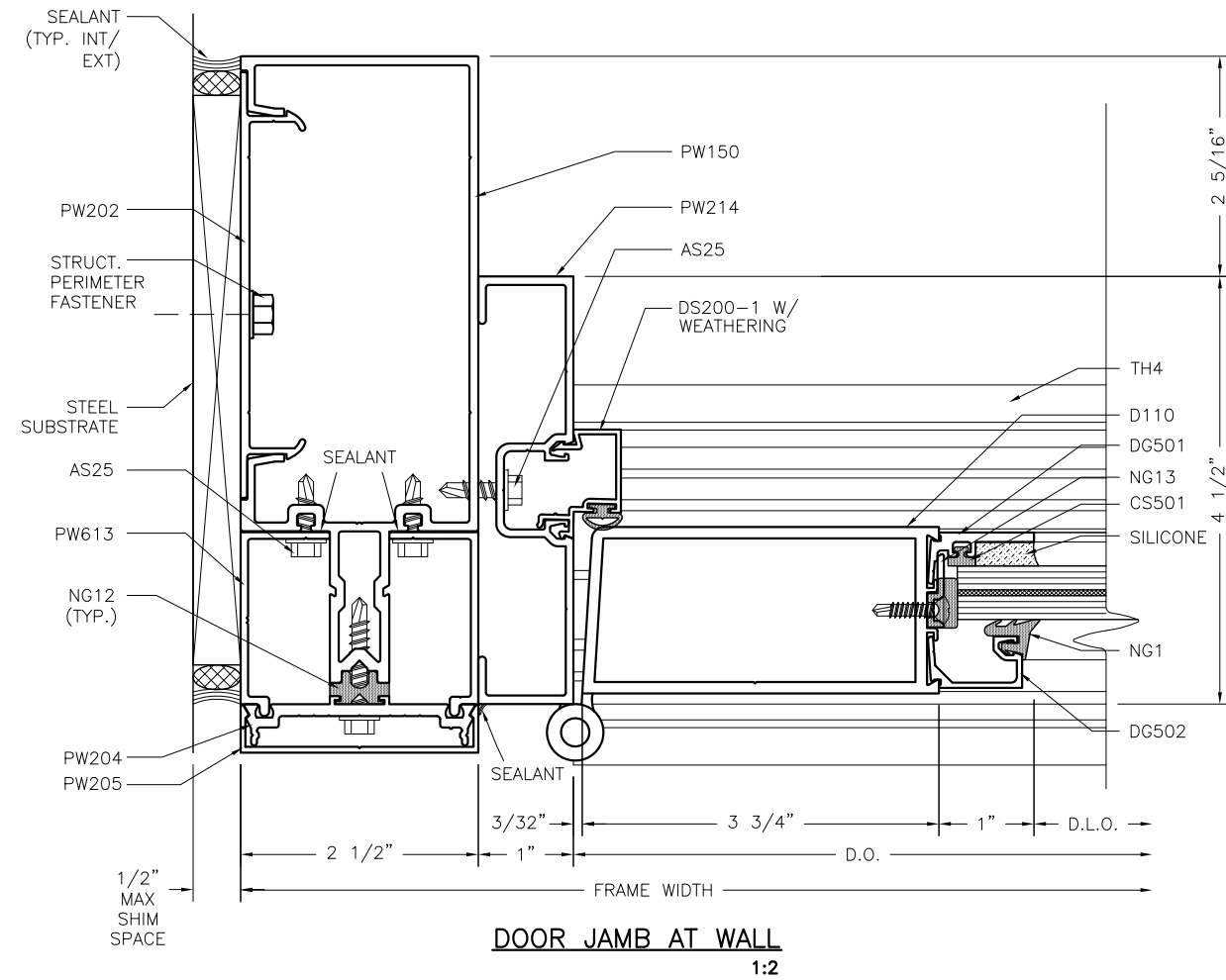
VERTICAL MULLION W/SR151
1:2

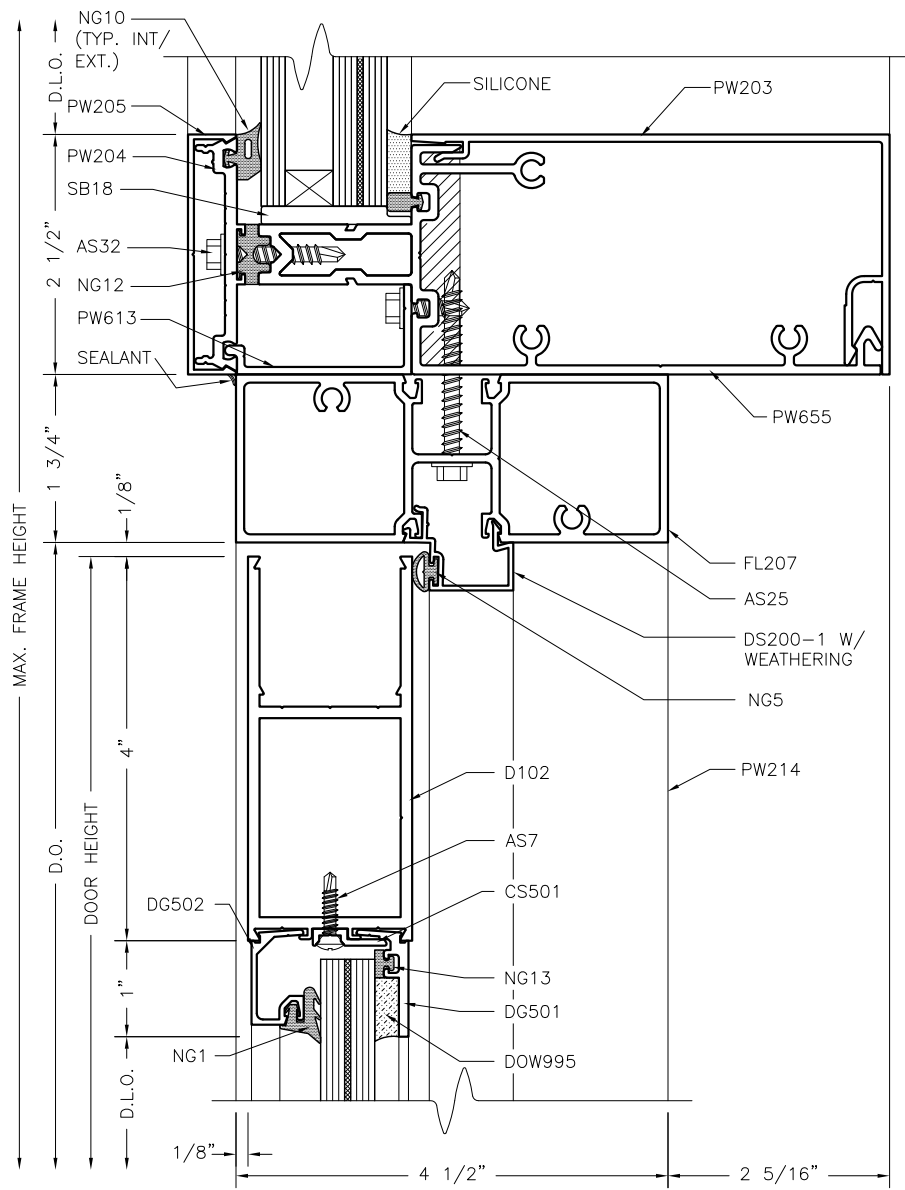


VERTICAL MULLION W/SR150
1:2

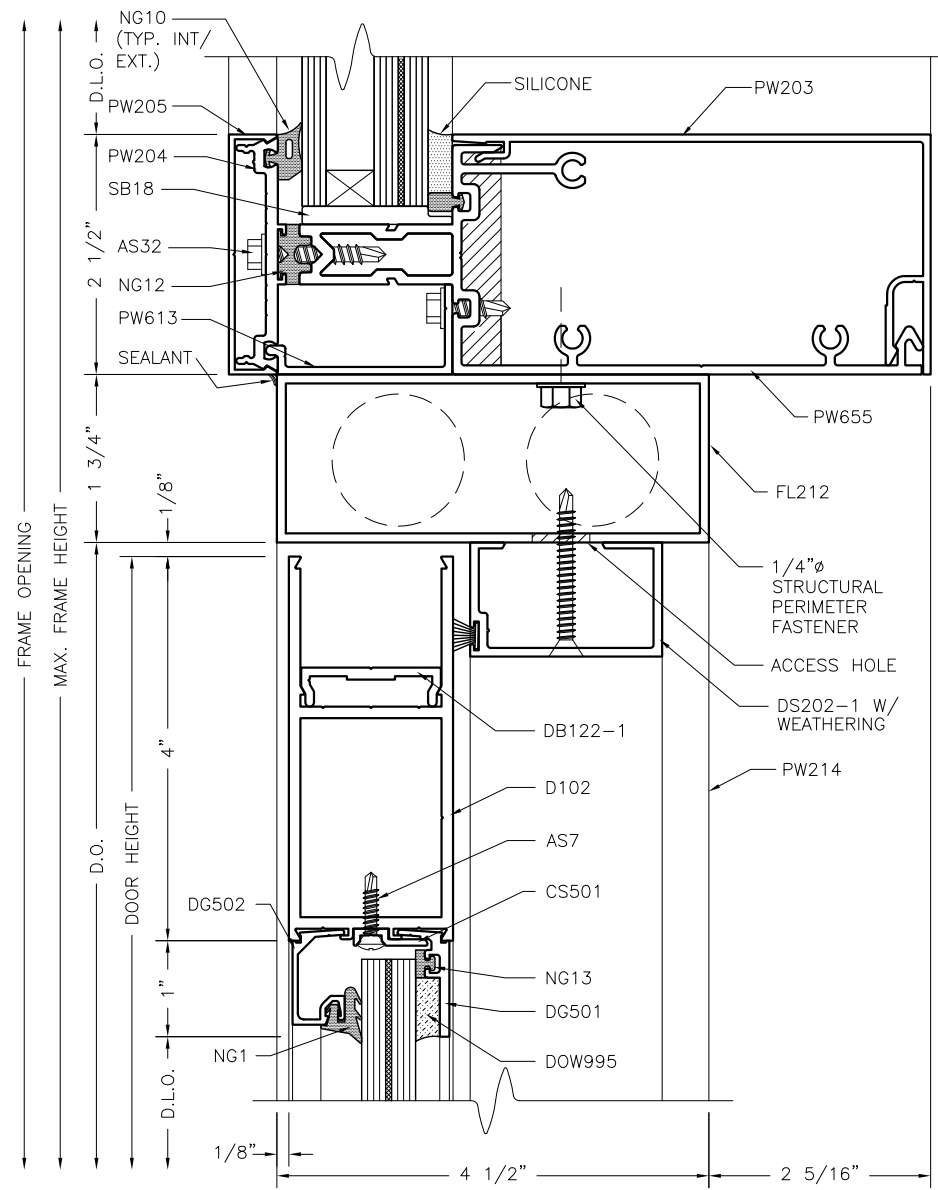


JAMB
1:2

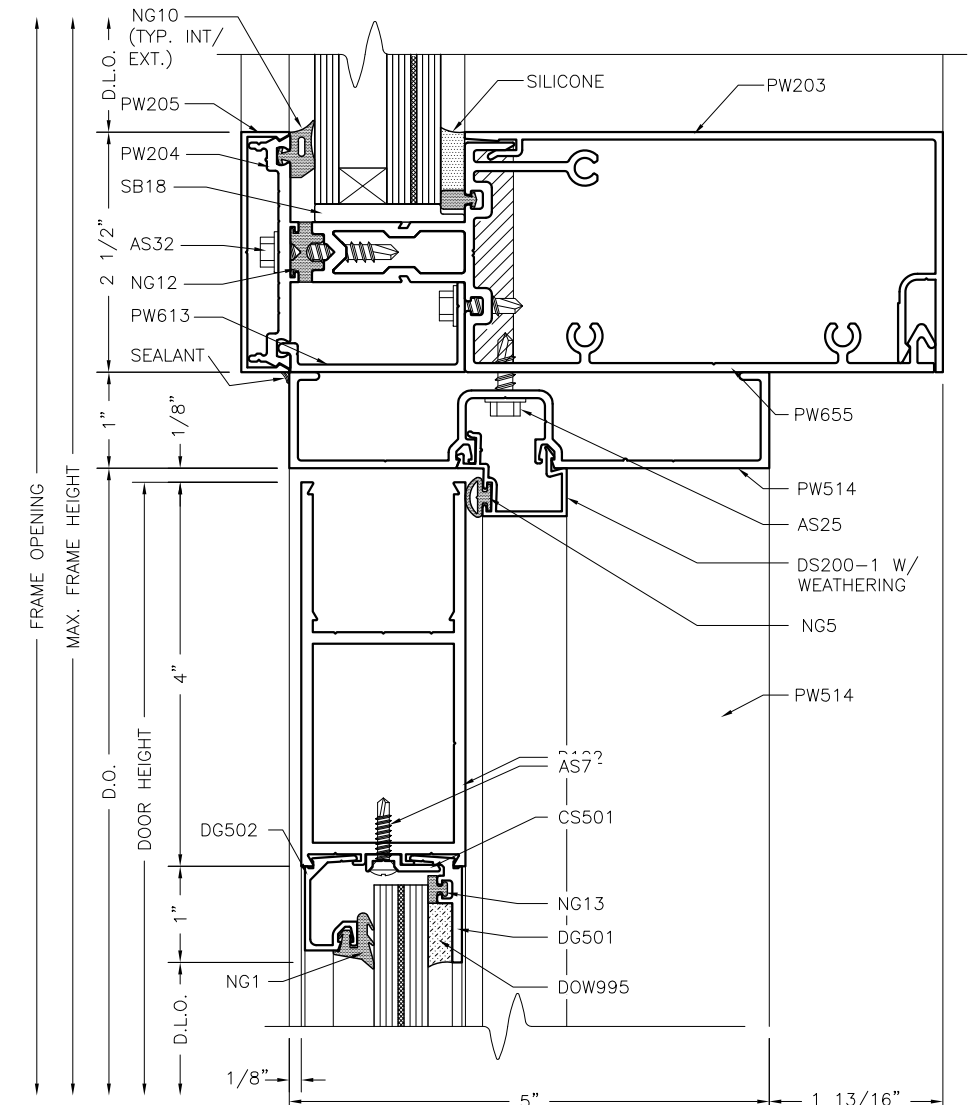




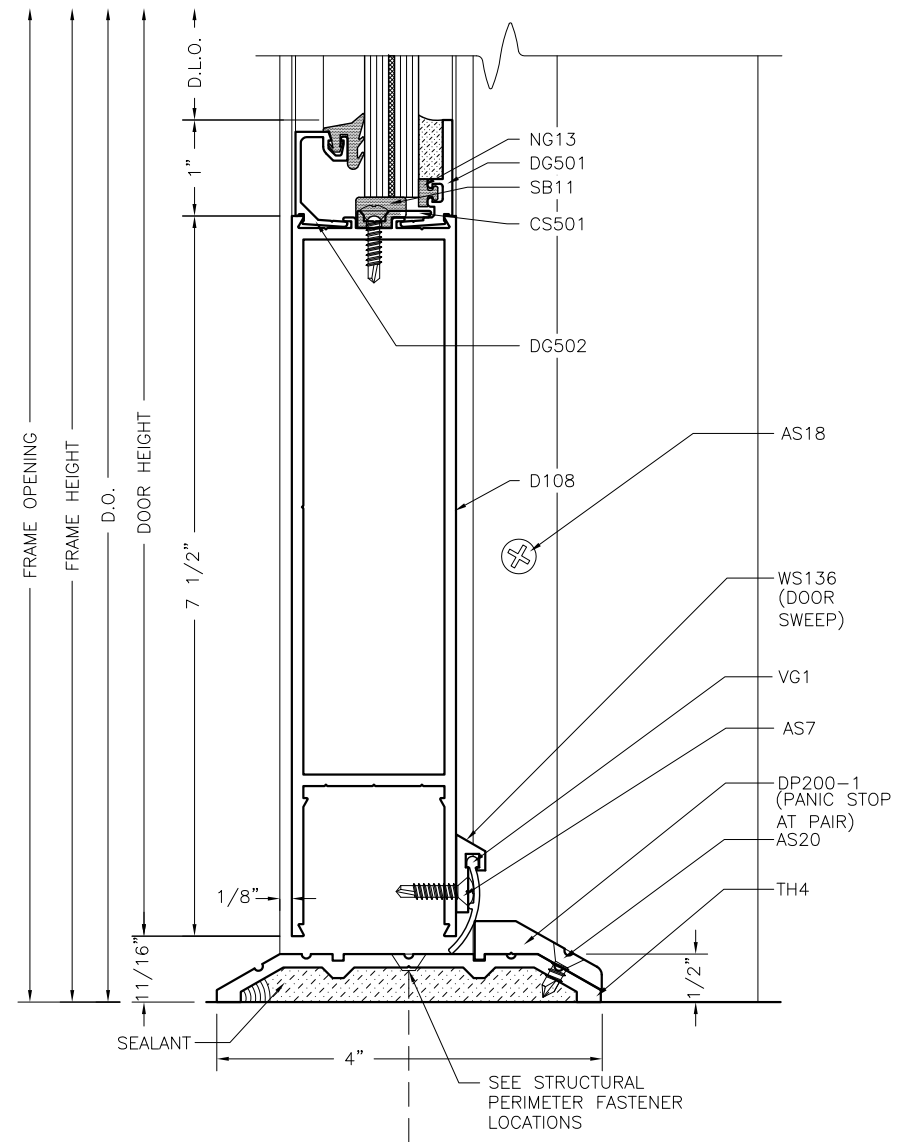
TRANSOM BAR
1:2



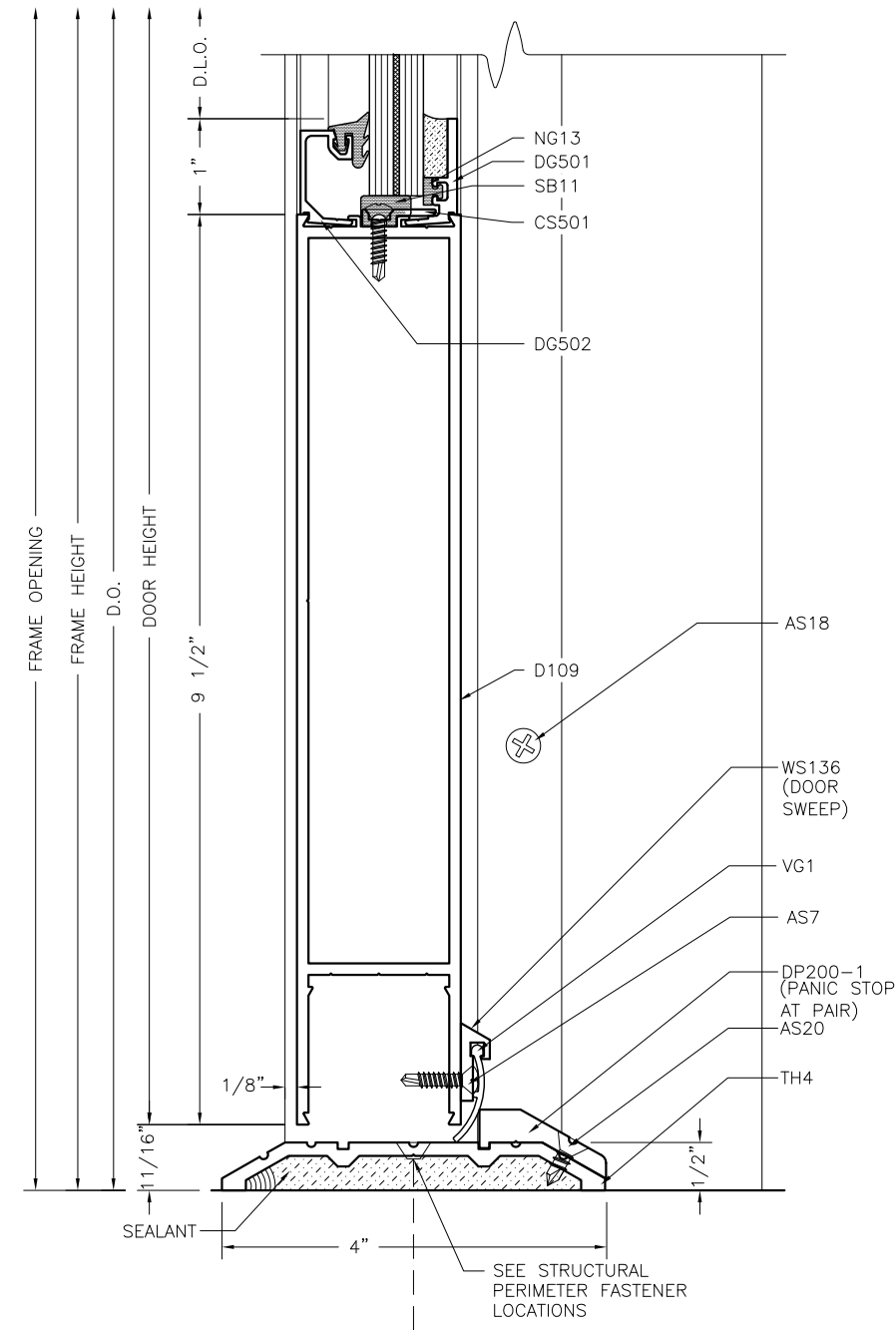
TRANSOM BAR
1:2



ALT. TRANSOM BAR
1:2

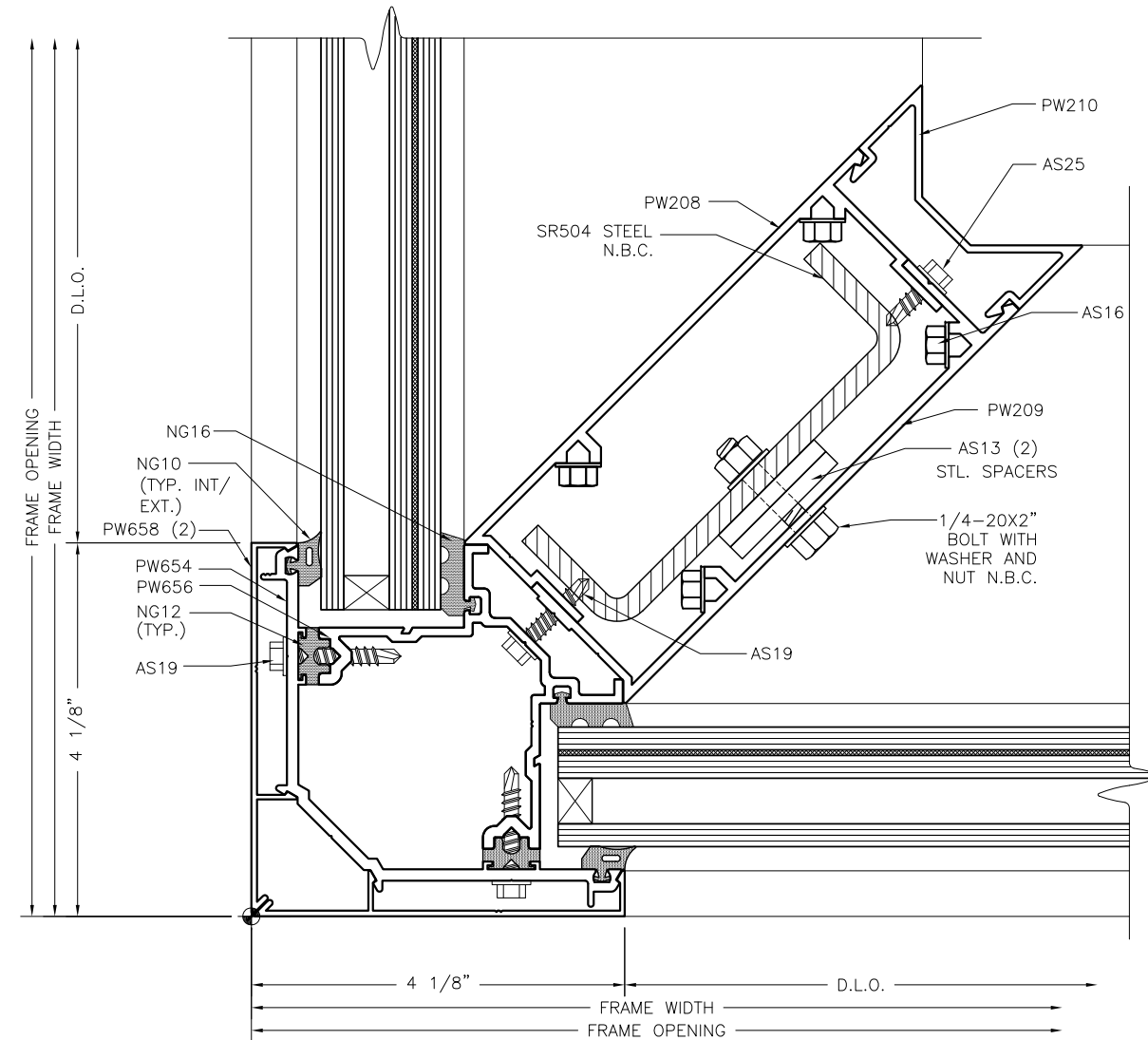
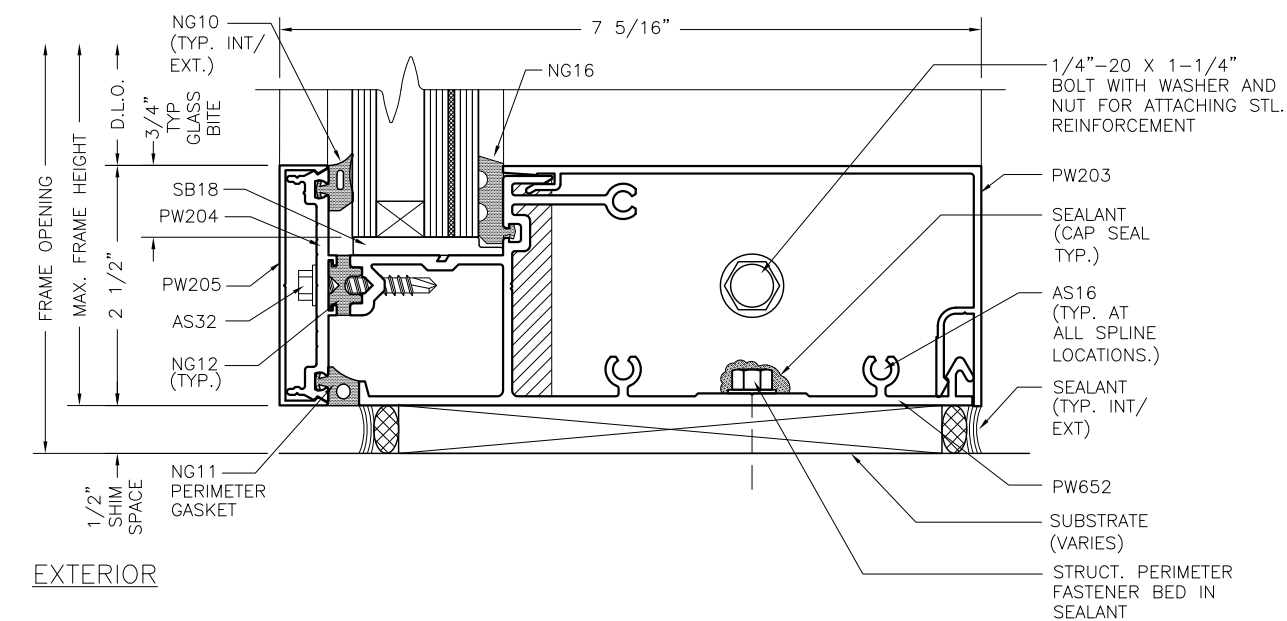
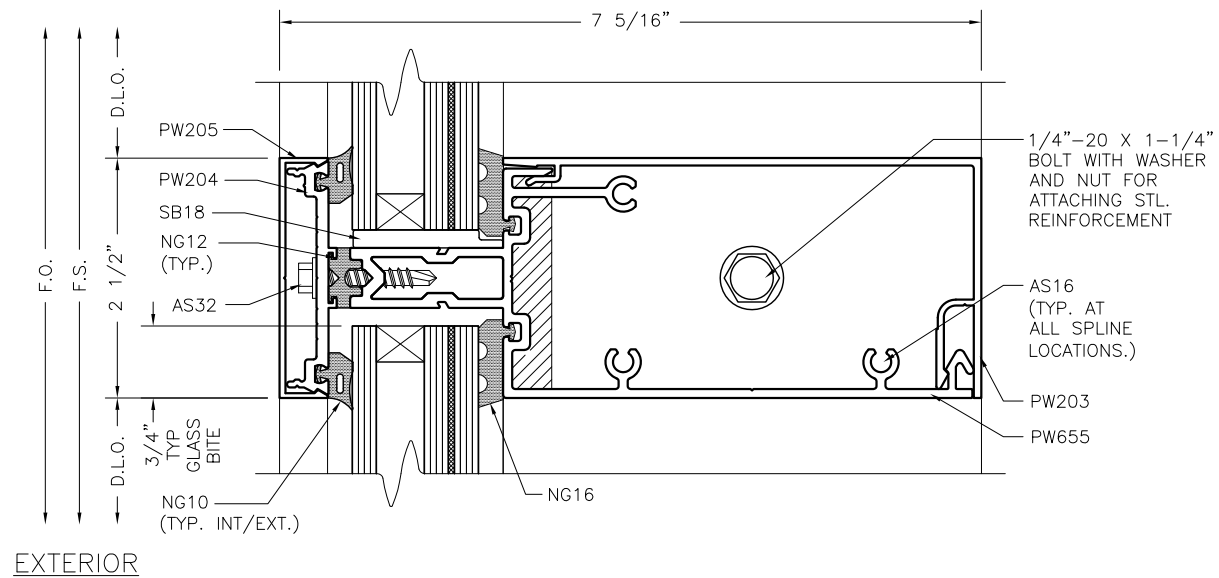
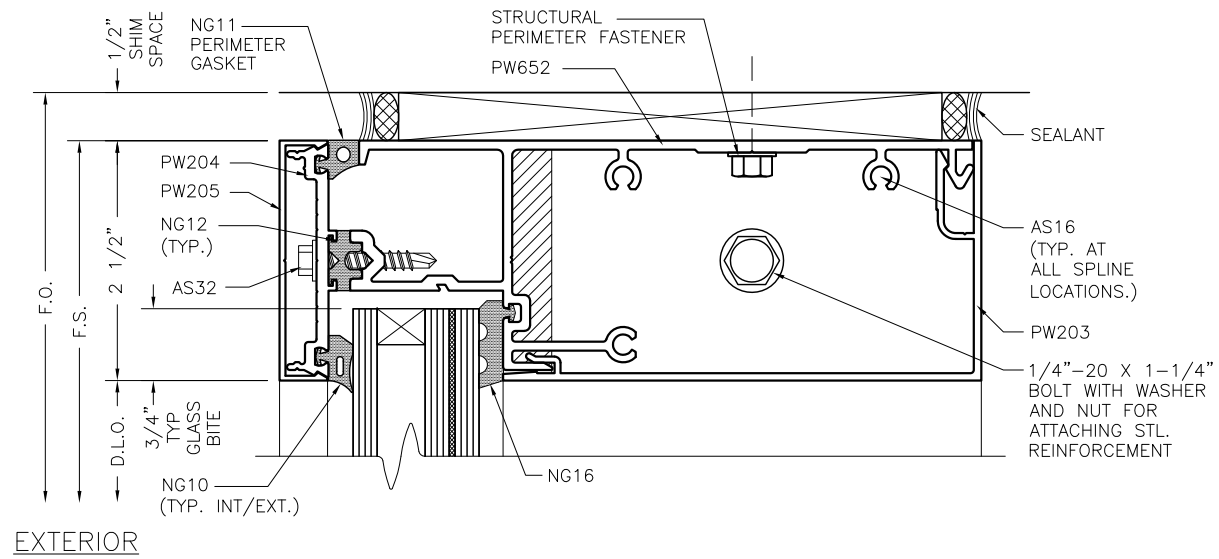


THRESHOLD
1:2



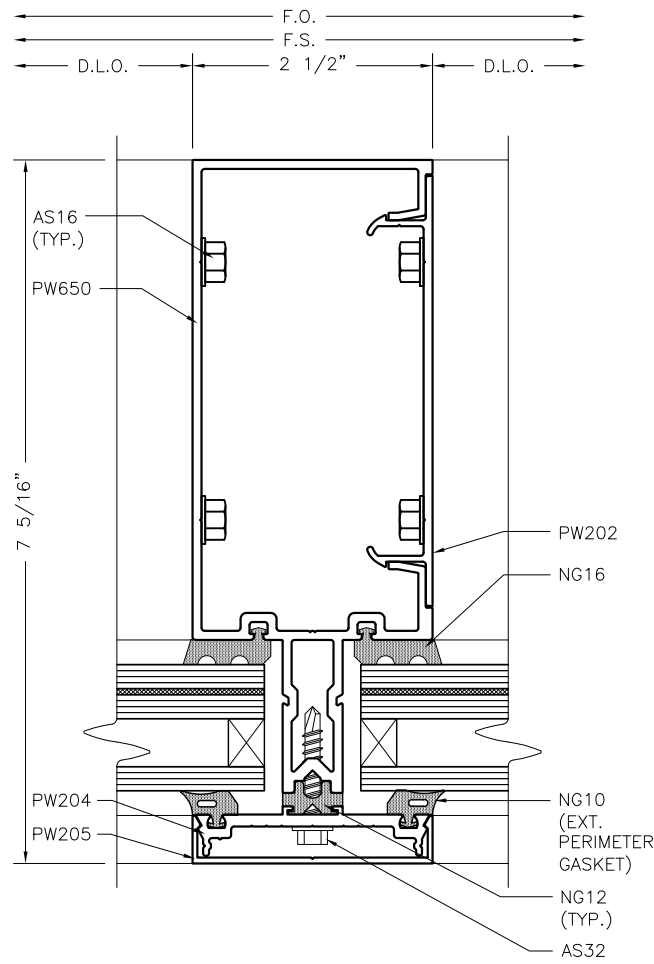
THRESHOLD
1:2

ARCHITECTURAL DETAILS: PW257 - DRY GLAZE

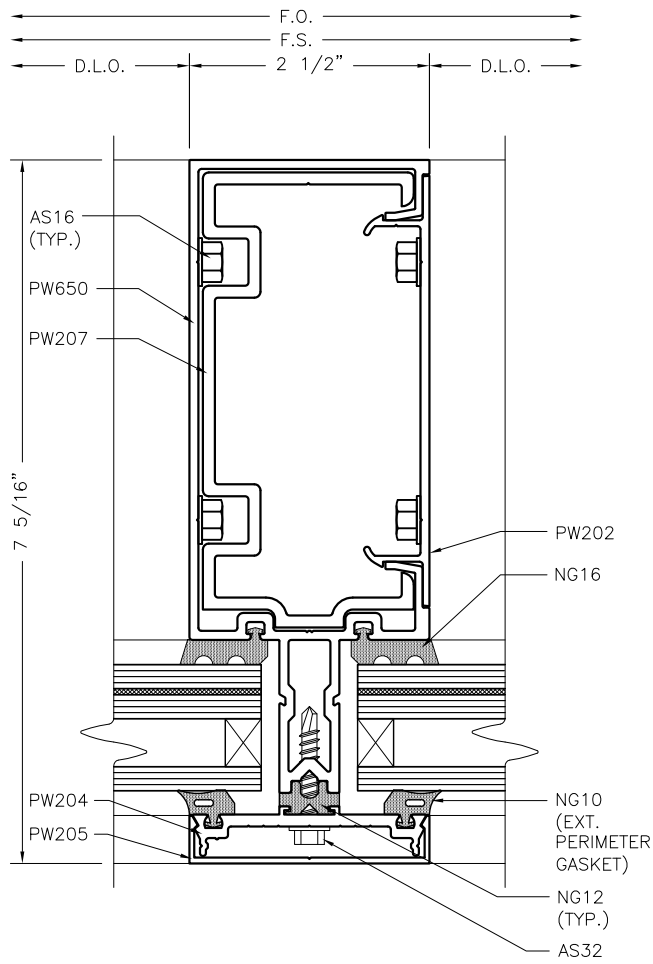


90° CORNER FOR 1-5/16" IMPACT GLASS

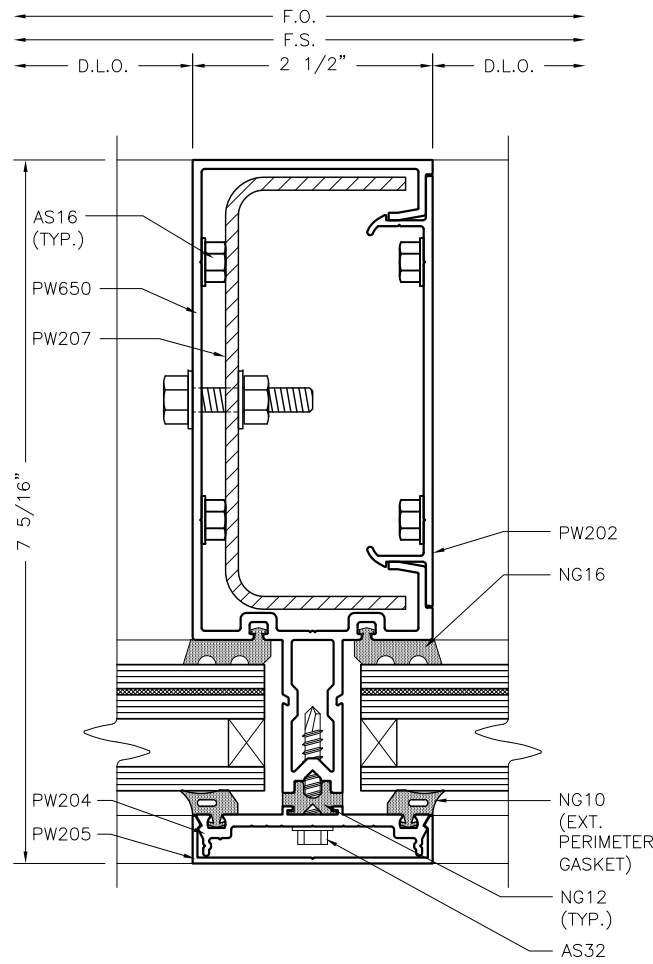
1:2



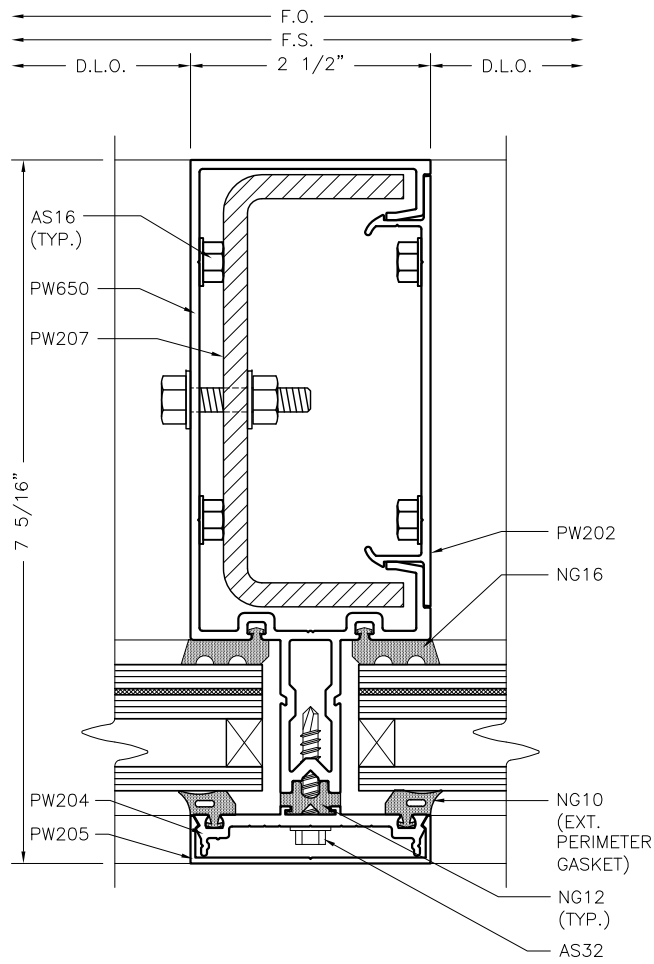
VERTICAL MULLION
1:2



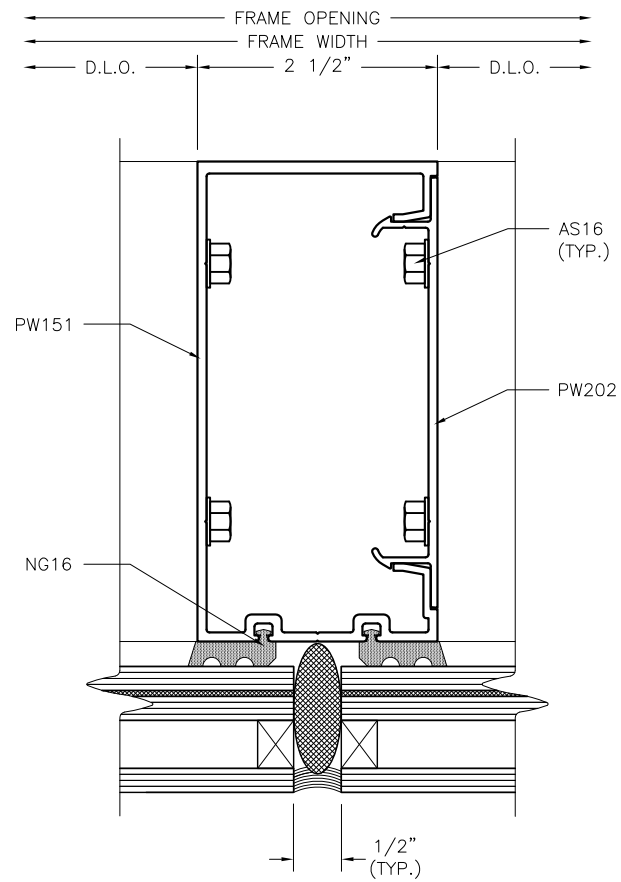
VERTICAL MULLION W/SPLICE SLEEVE
1:2



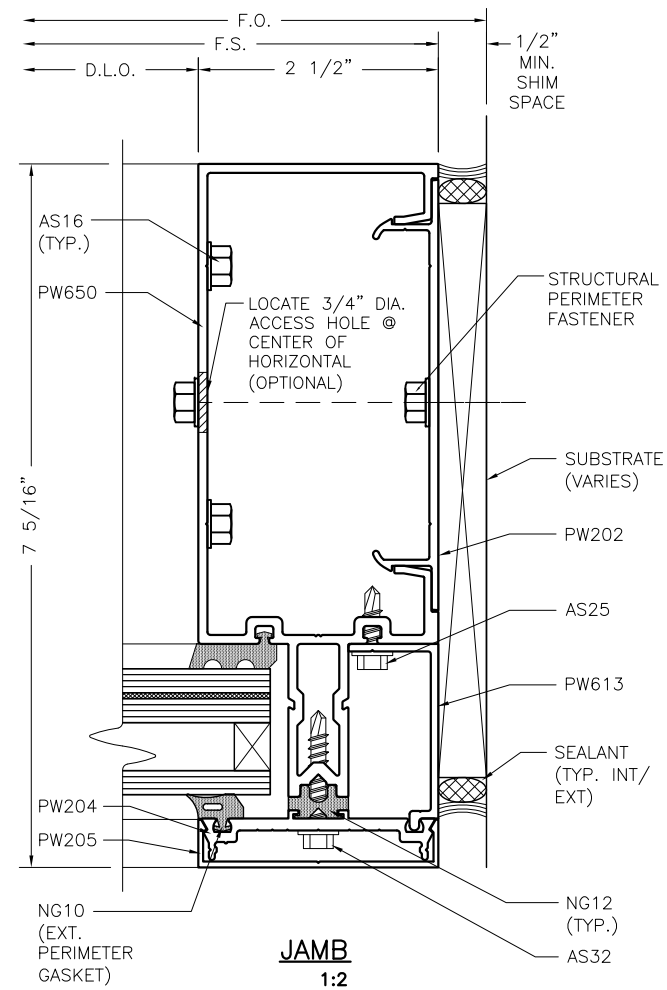
VERTICAL MULLION W/SR151
1:2



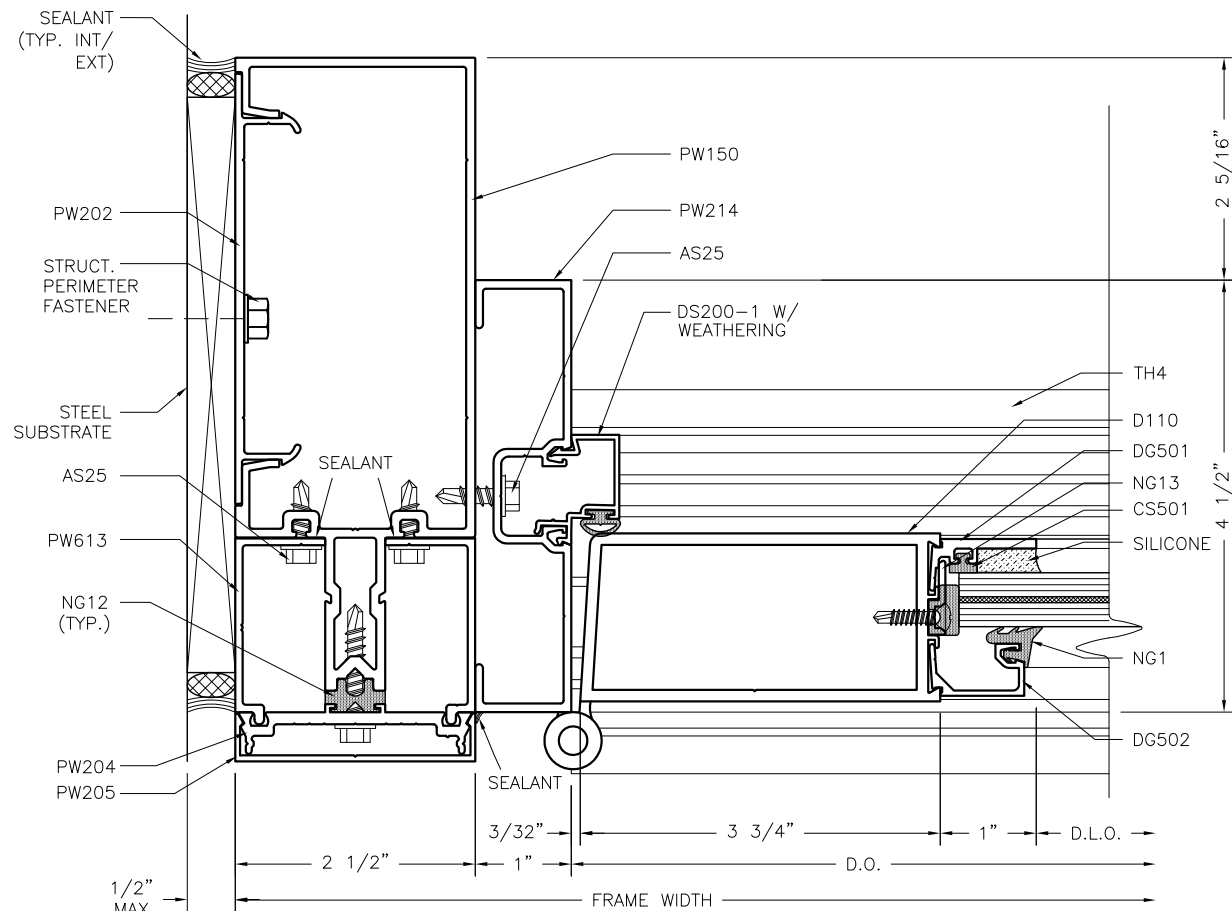
VERTICAL MULLION W/SR150
1:2



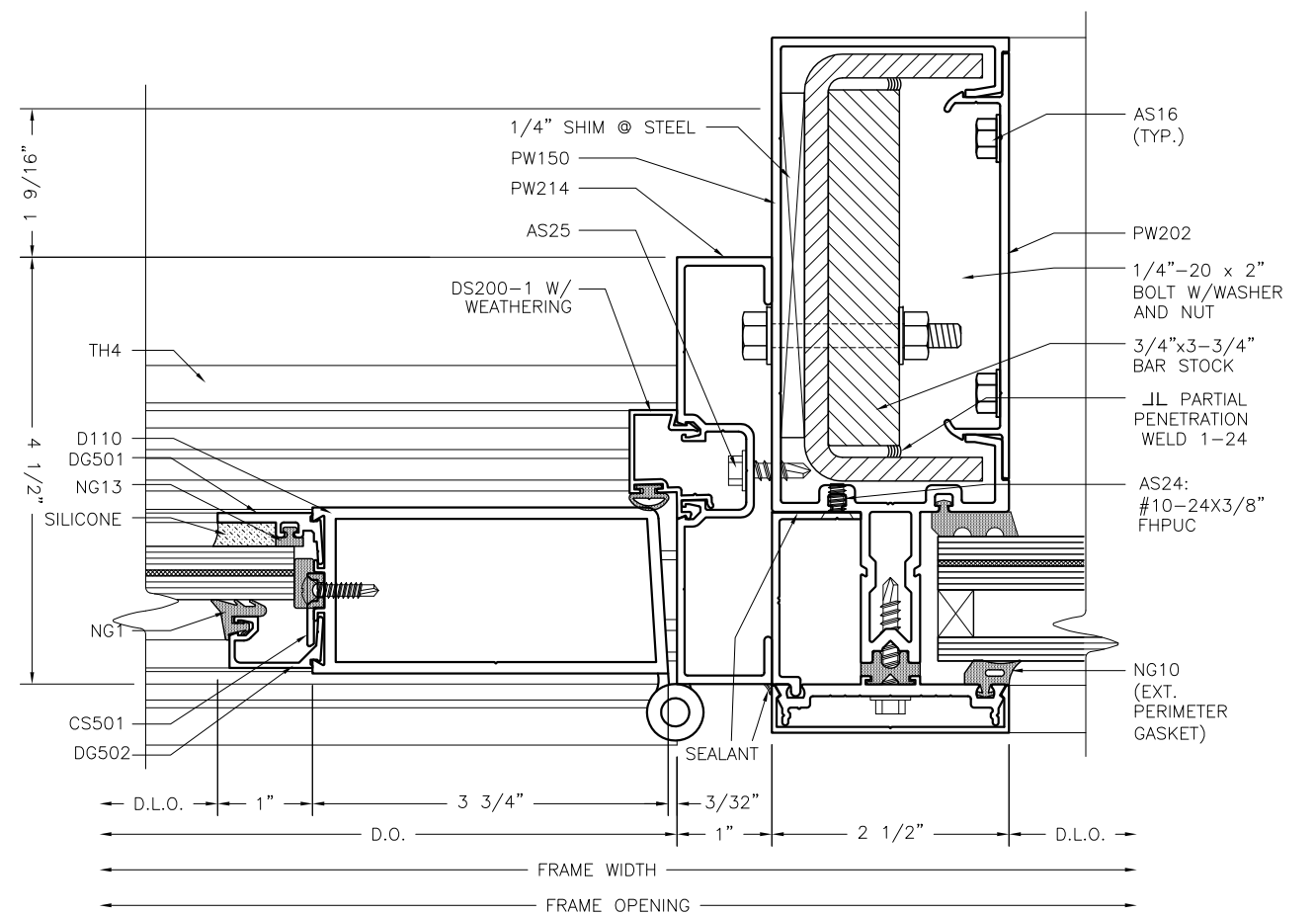
B.G. MULLION
1:2



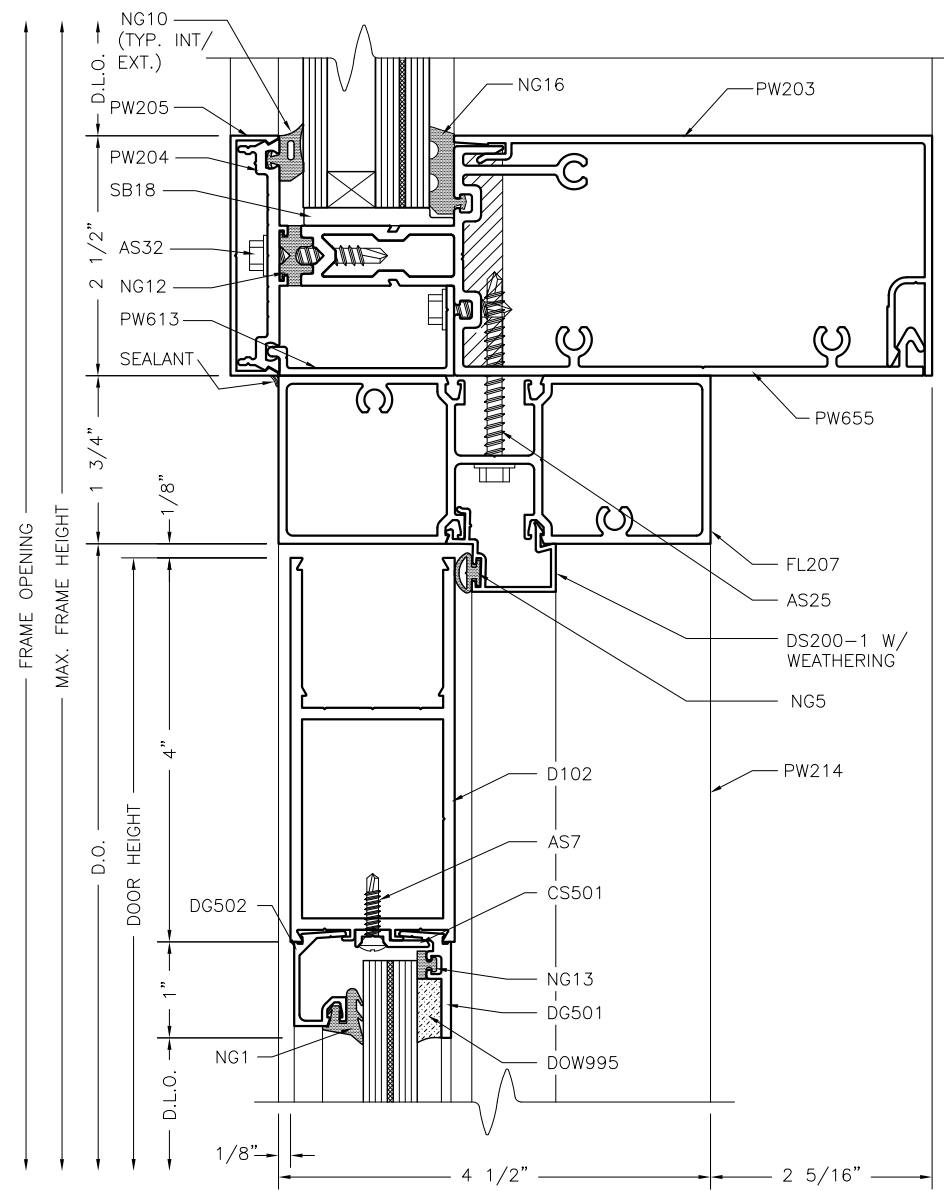
JAMB
1:2



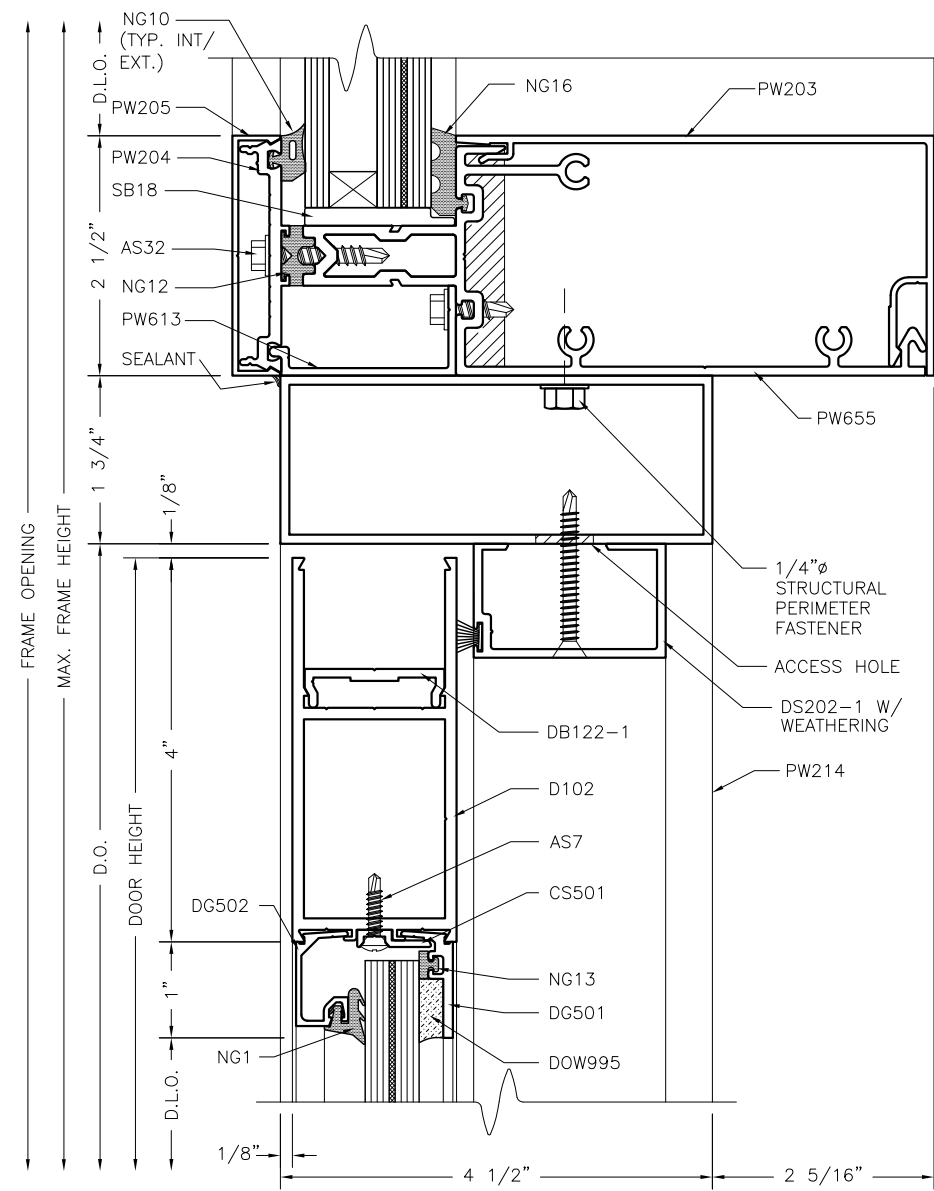
DOOR JAMB AT WALL
1:2



INTERM. DOOR JAMB



TRANSOM BAR
1:2



TRANSOM BAR
1:2