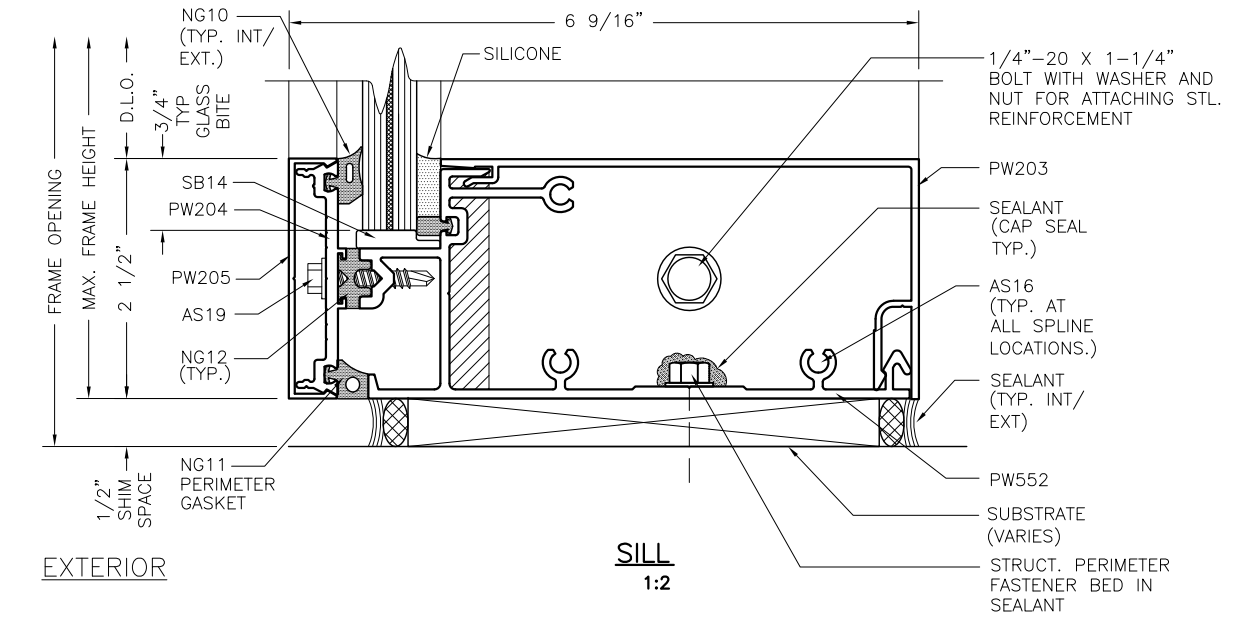
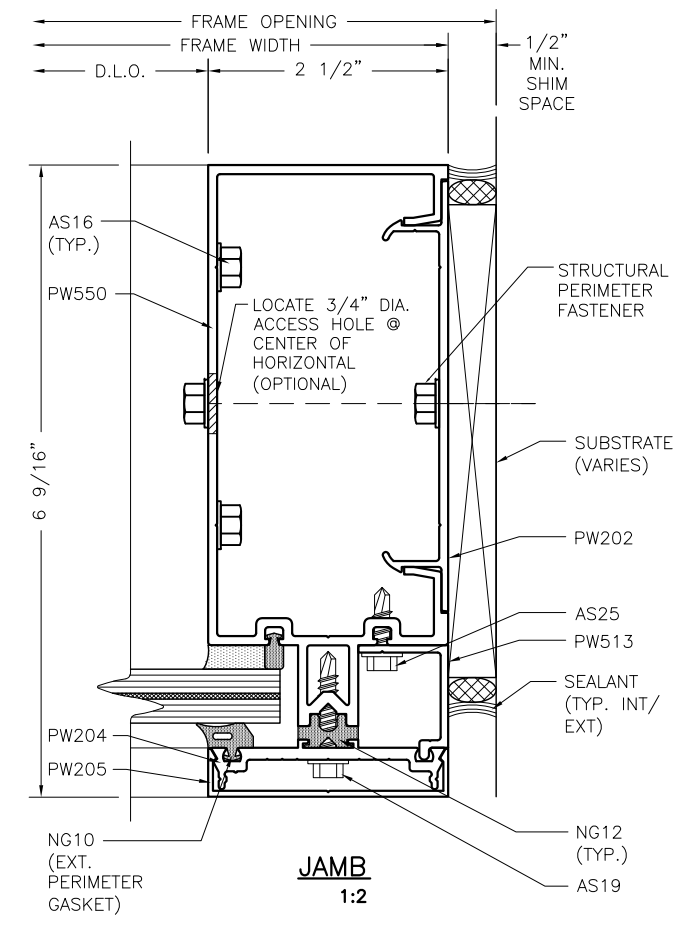
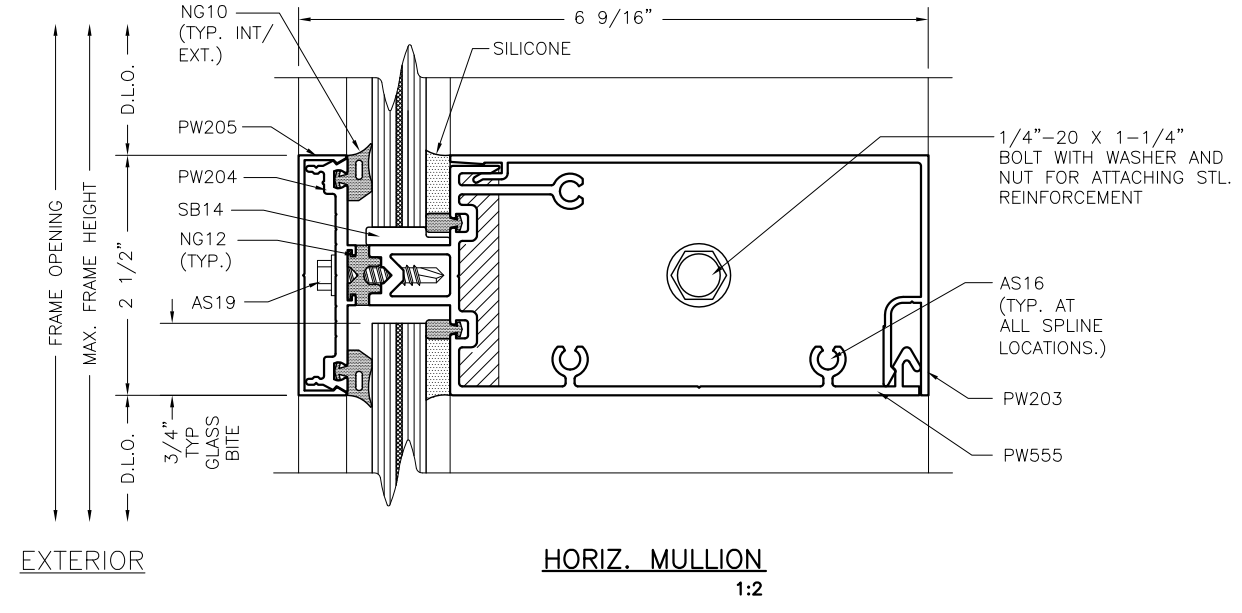
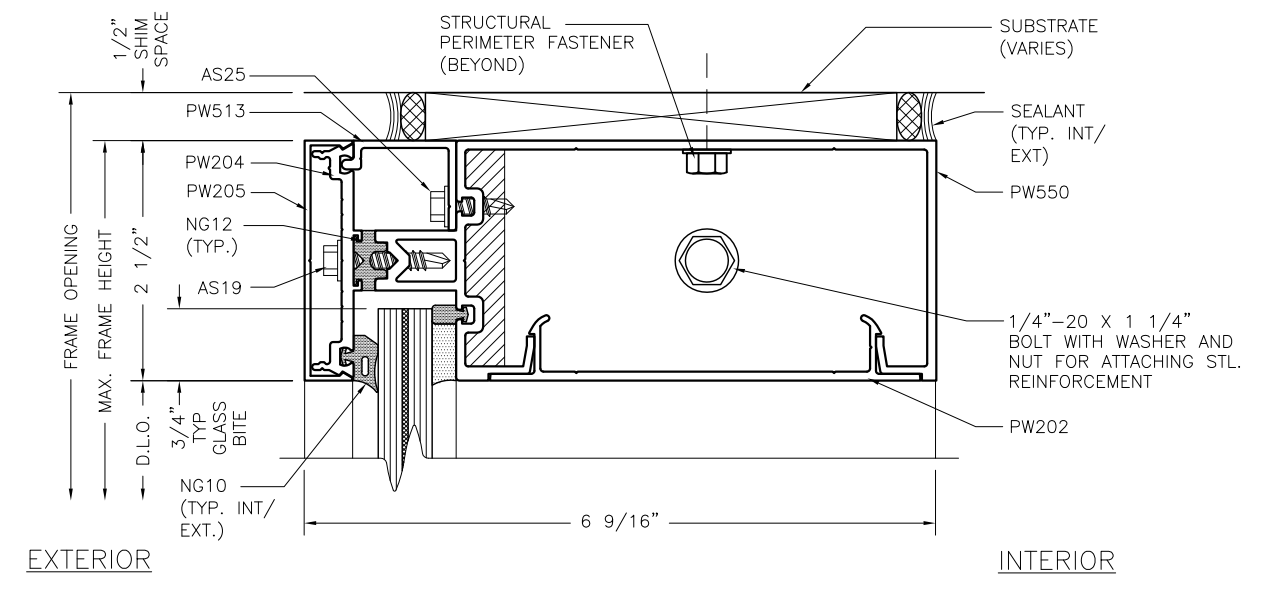
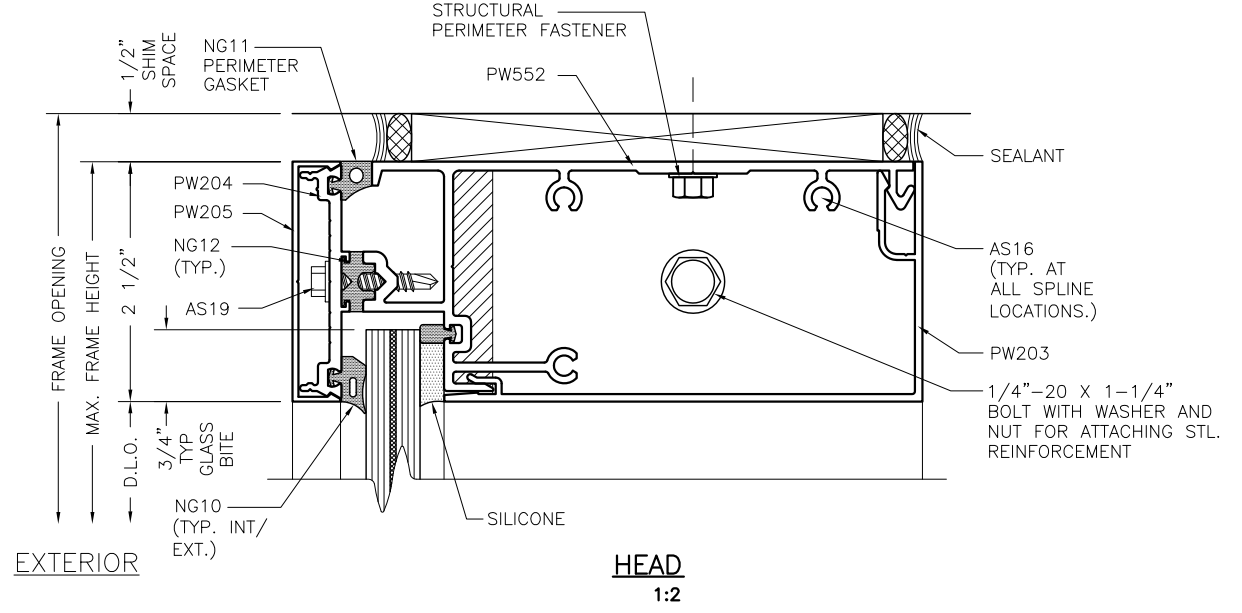
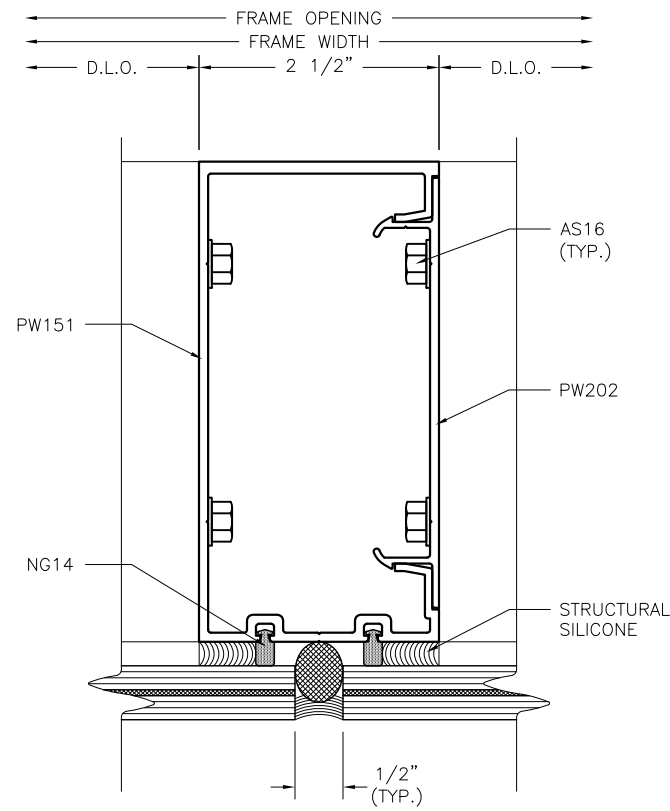
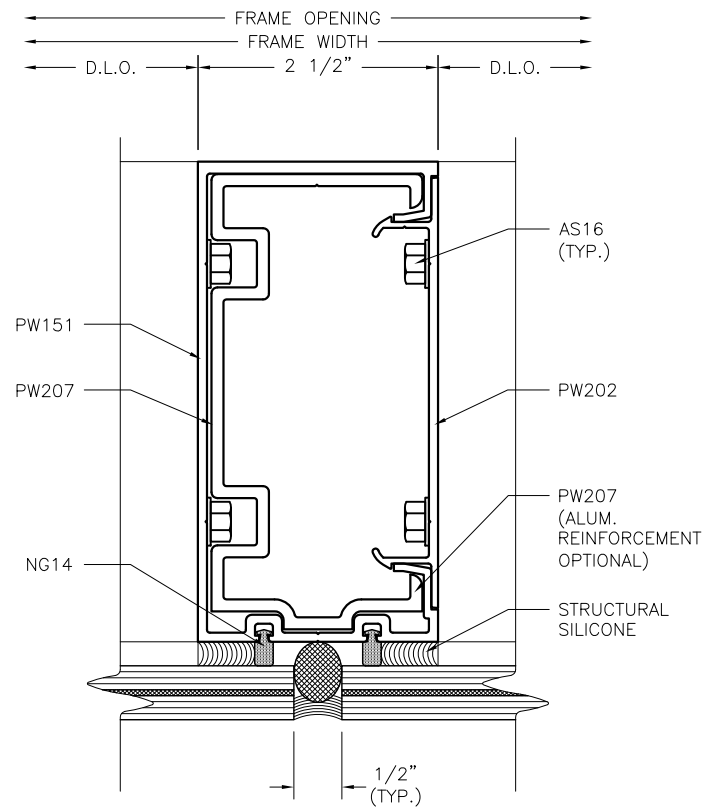


# ARCHITECTURAL DETAILS: PW256 (WET GLAZED)

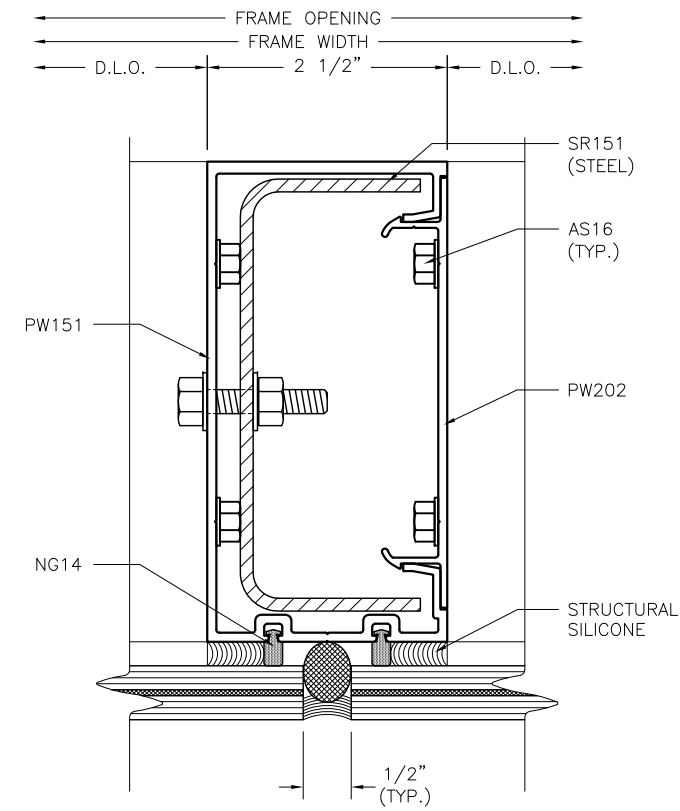




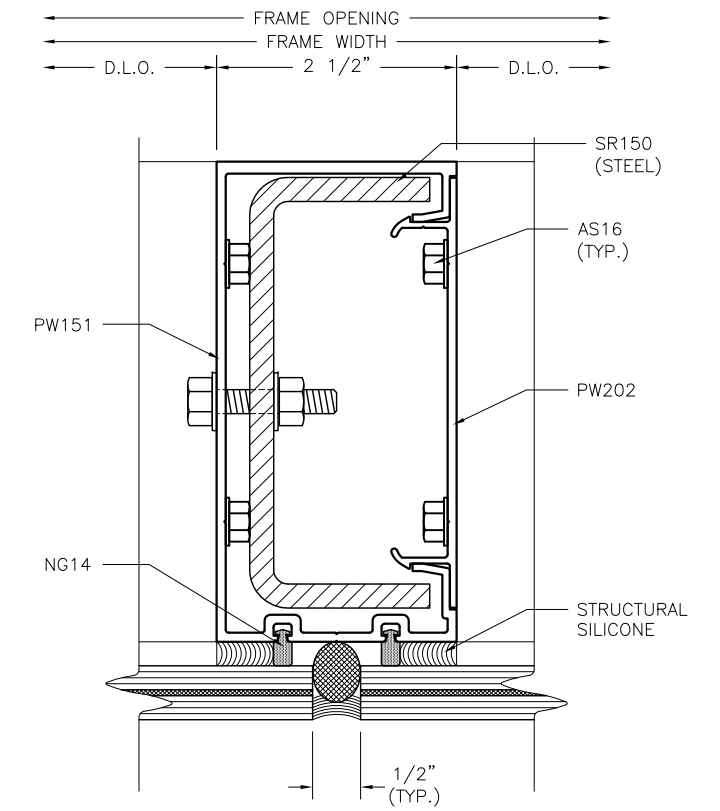
**B.G. MULLION**  
1:2



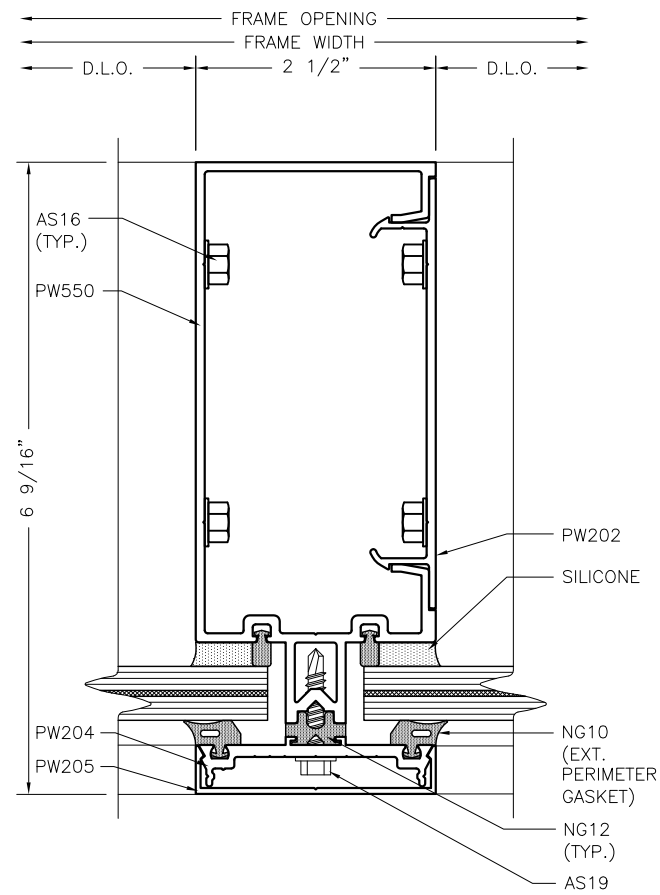
**B.G. MULLION W/SPLICE SLEEVE**  
1:2



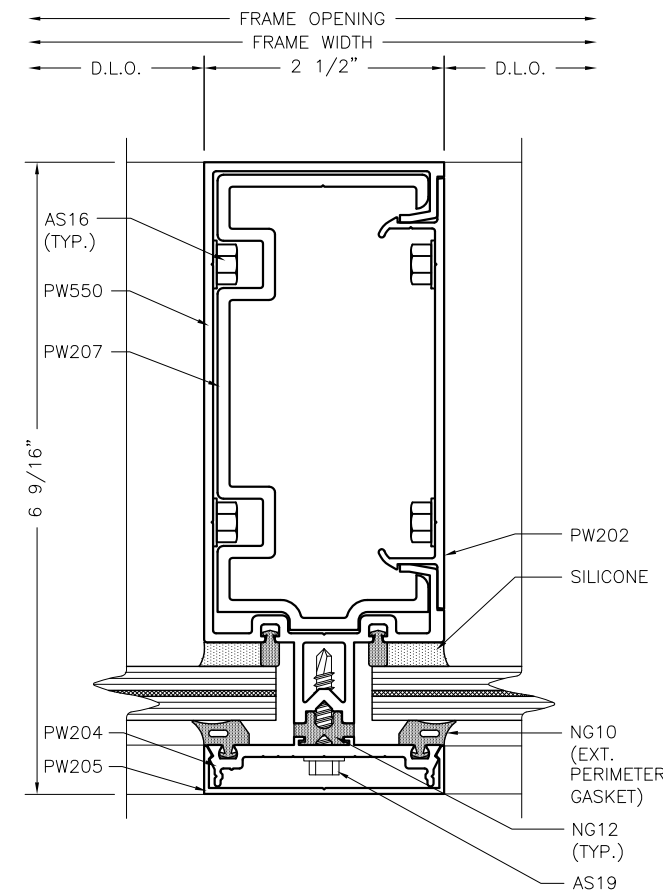
**B.G. MULLION W/SR151**  
1:2



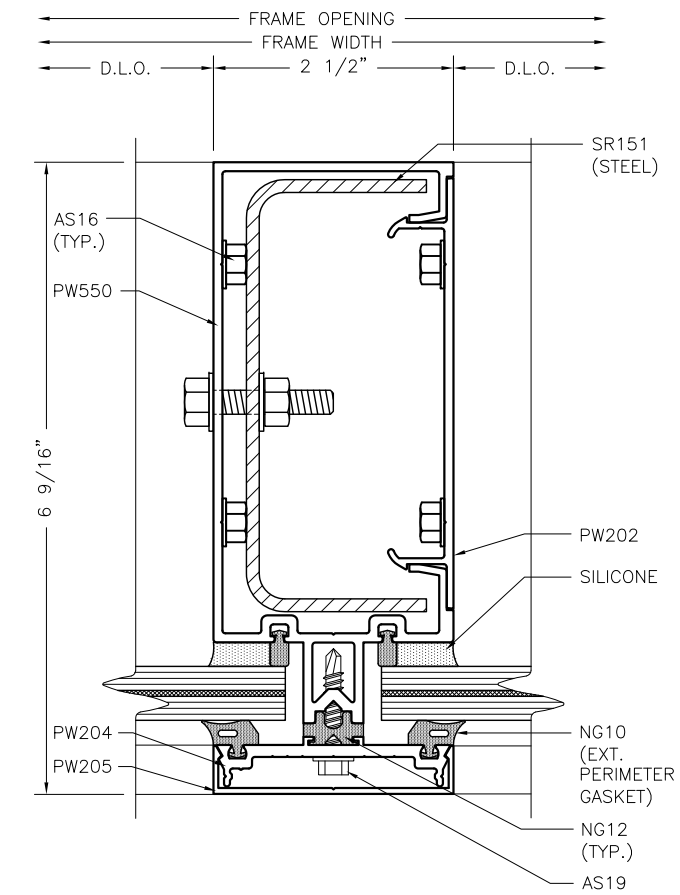
**B.G. MULLION W/SR150**  
1:2



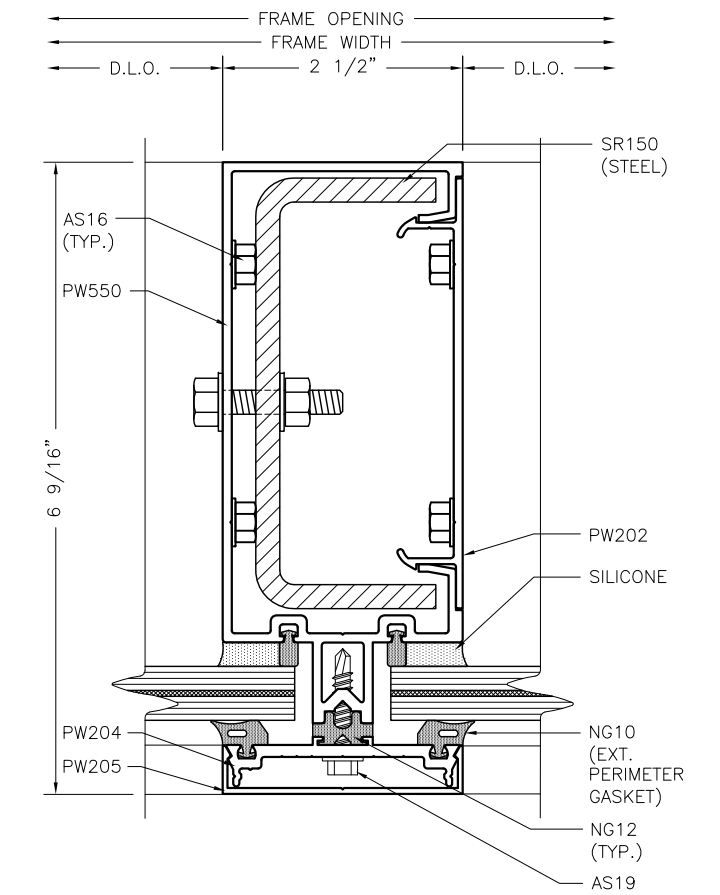
**VERTICAL MULLION**  
1:2



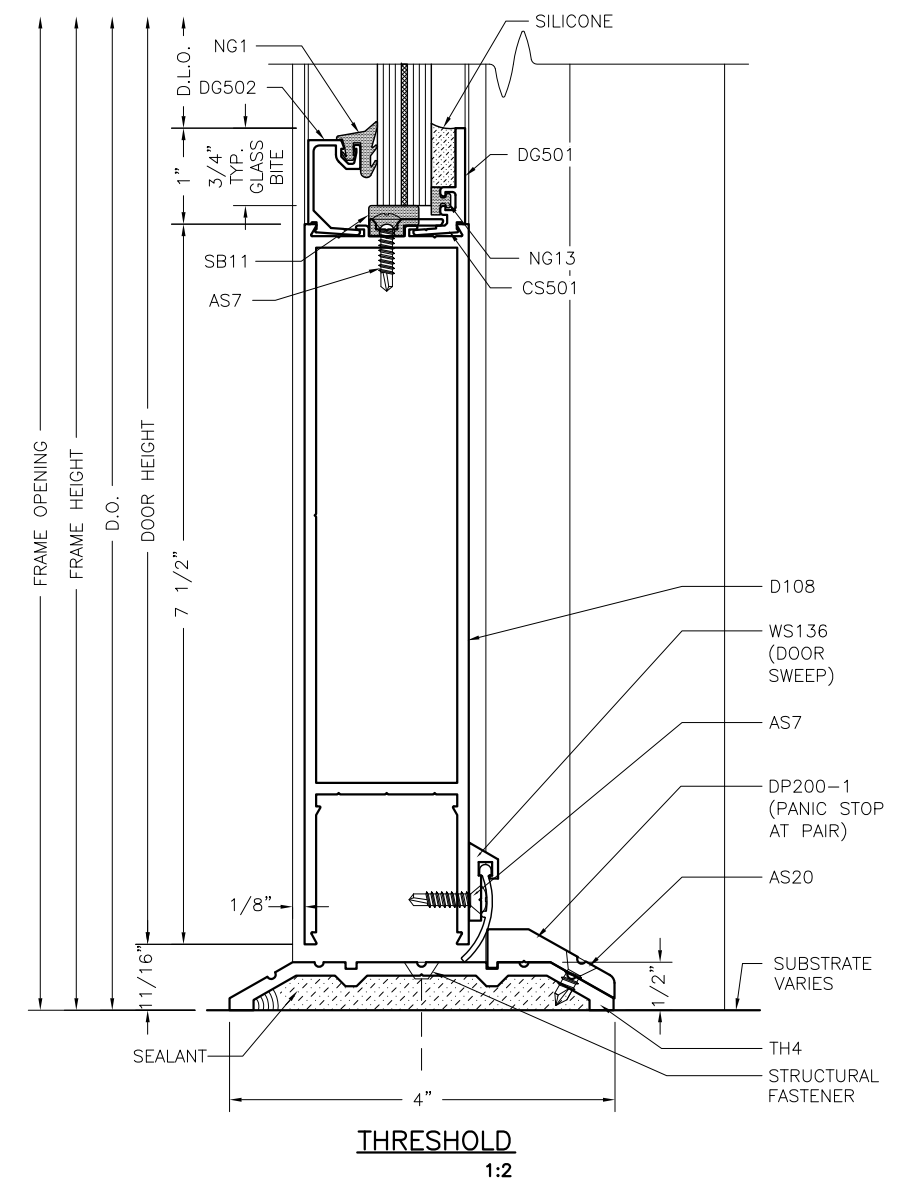
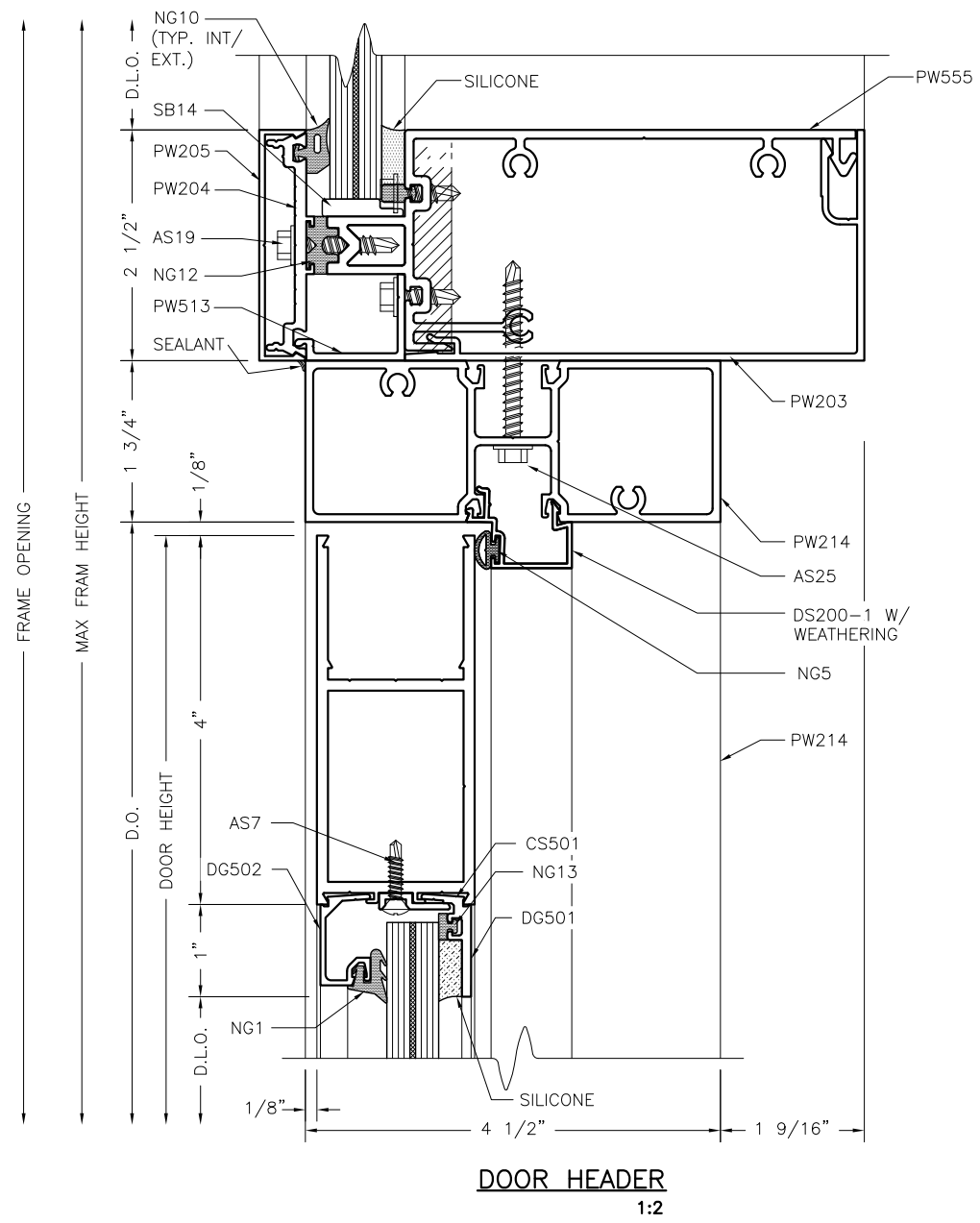
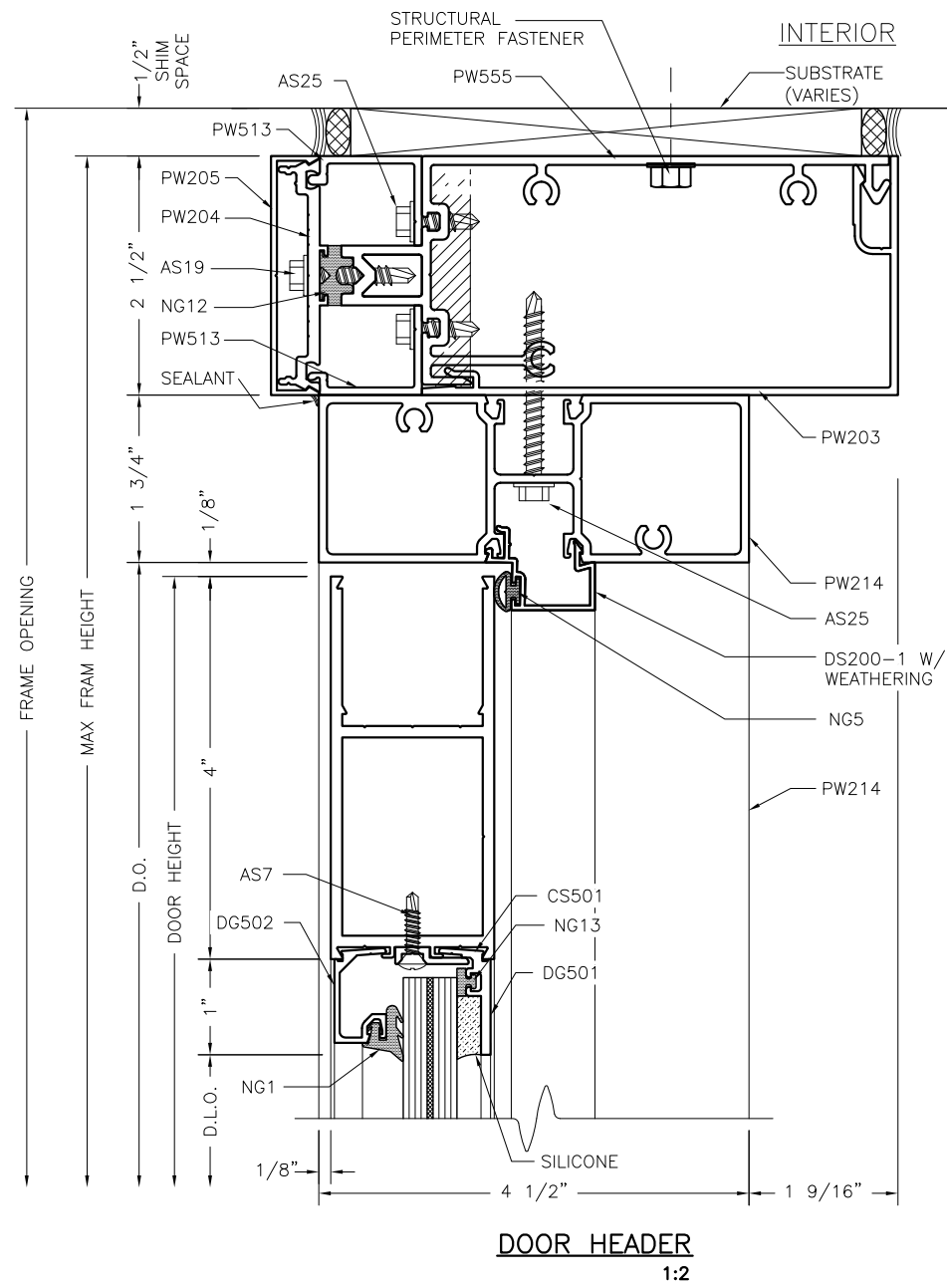
**VERTICAL MULLION W/SPLICE SLEEVE**  
1:2

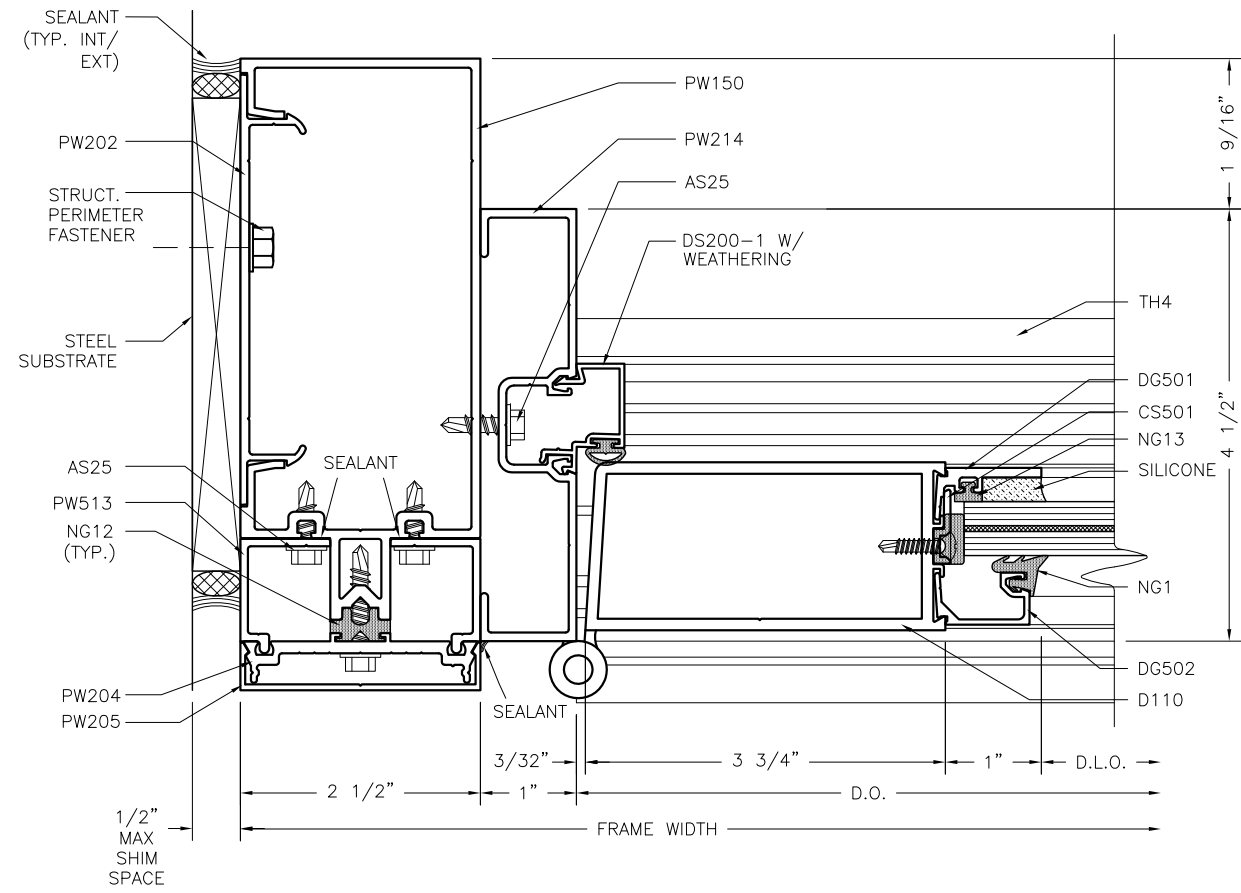


**VERTICAL MULLION W/SR151**  
1:2

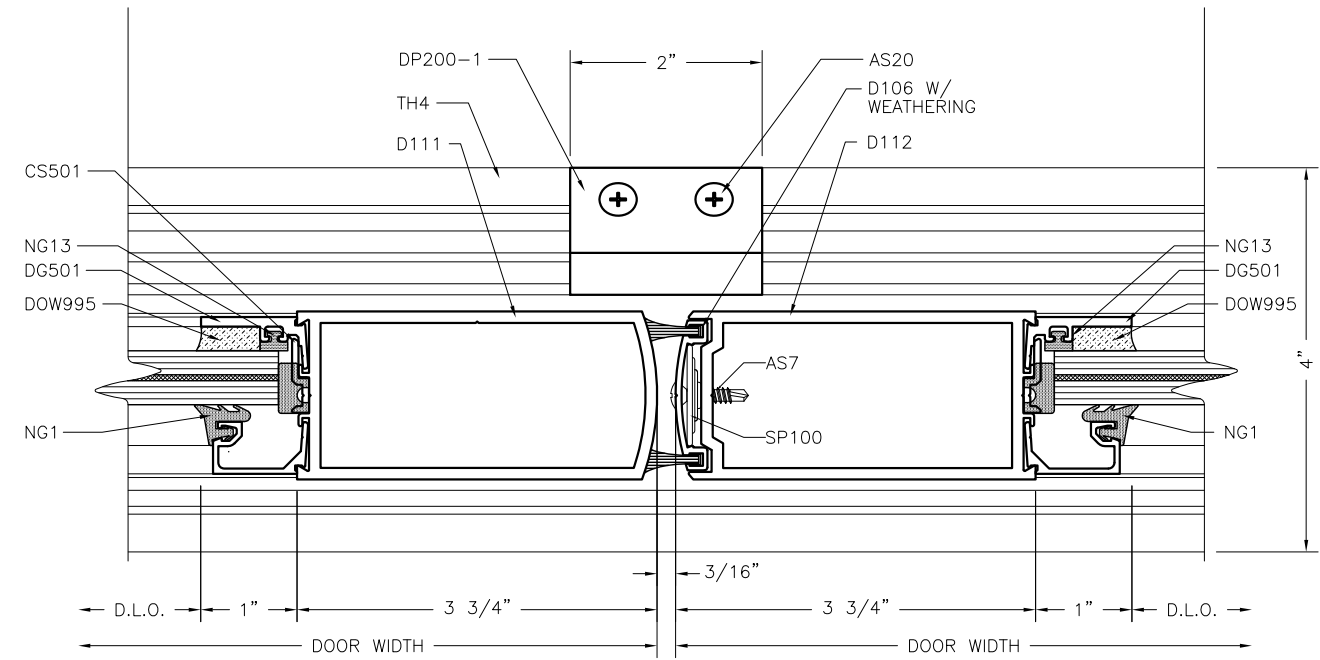


**VERTICAL MULLION W/SR150**  
1:2

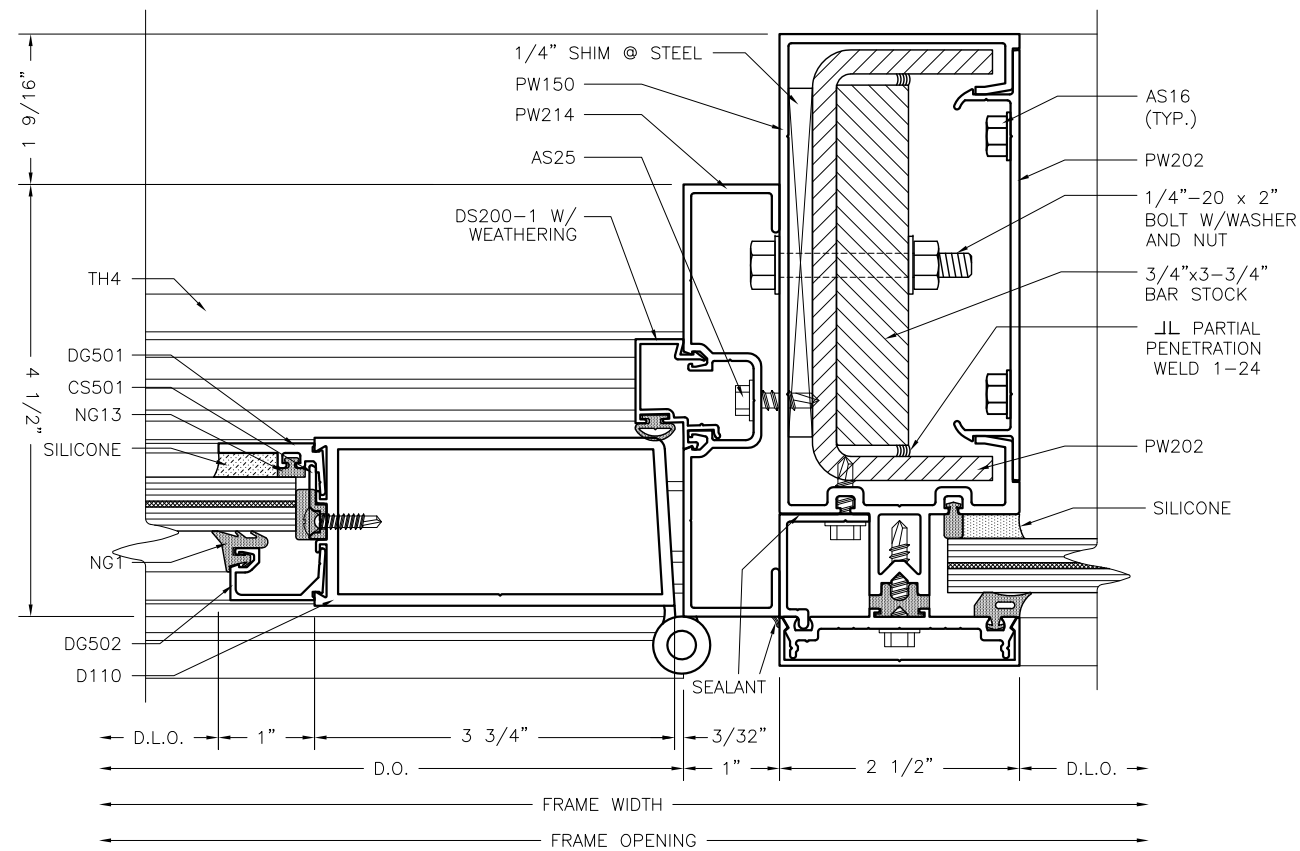




**DOOR JAMB AT WALL**  
1:2

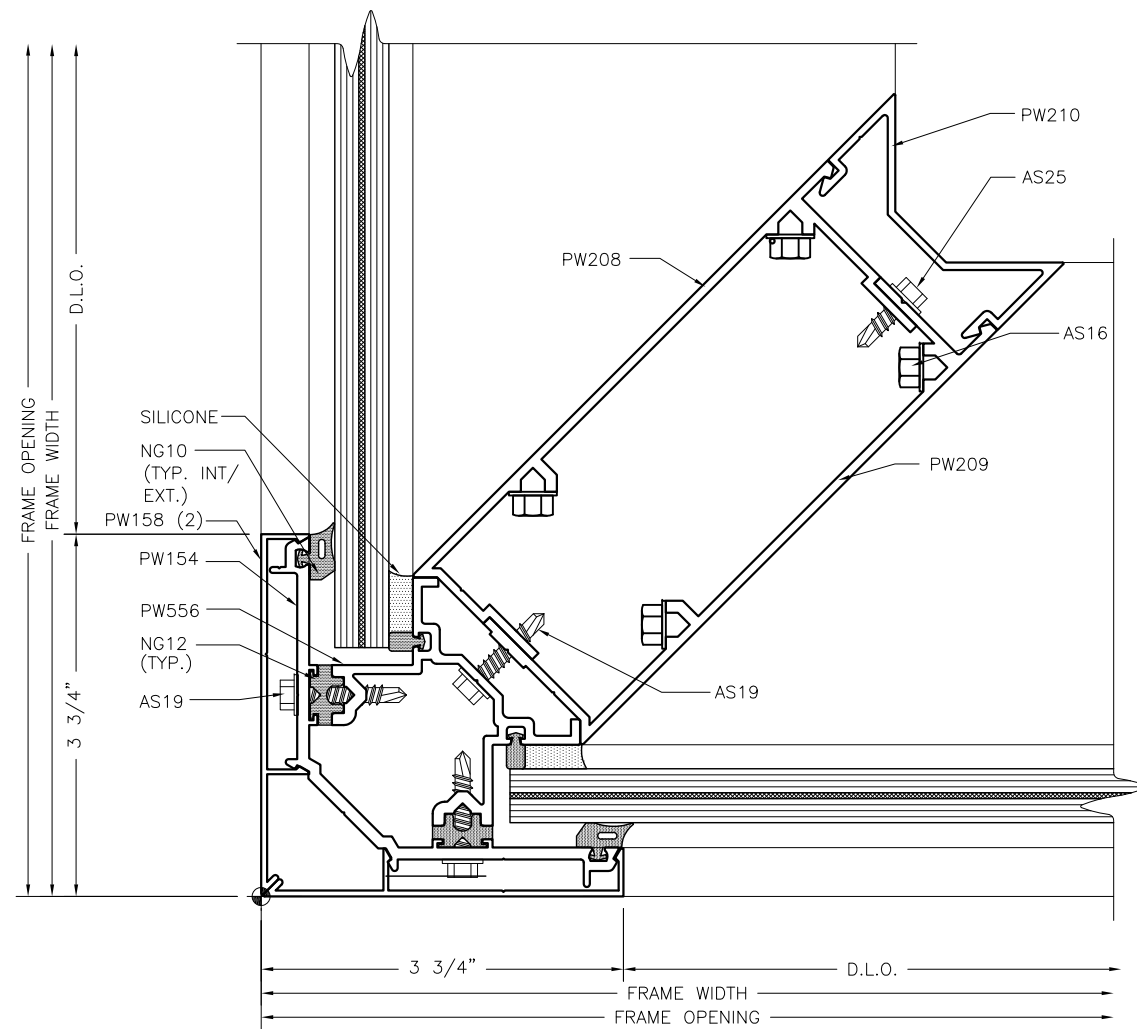


**MEETING STILES**  
1:2



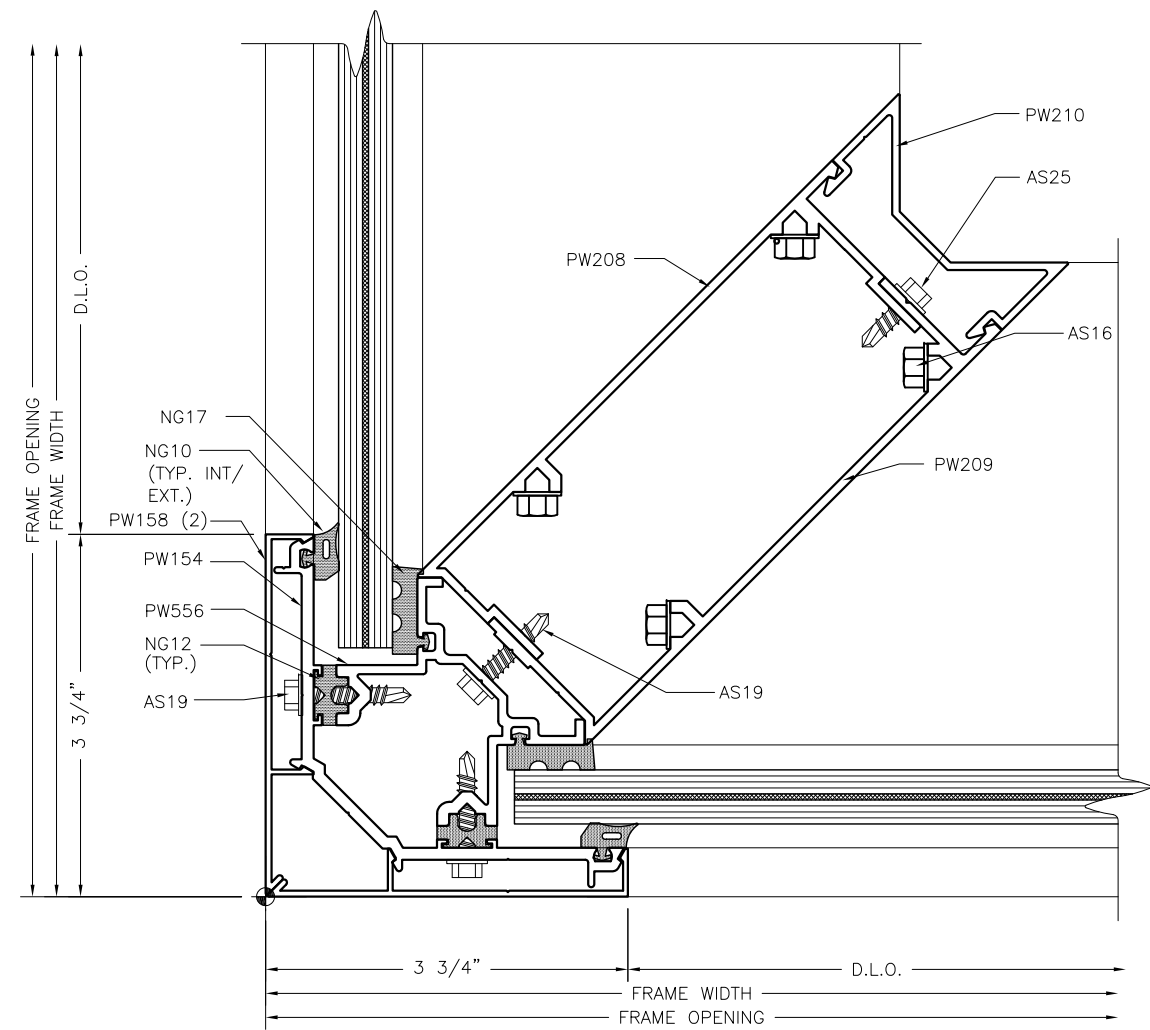
**INTERM. DOOR JAMB**  
1:2

# (WET GLAZED)



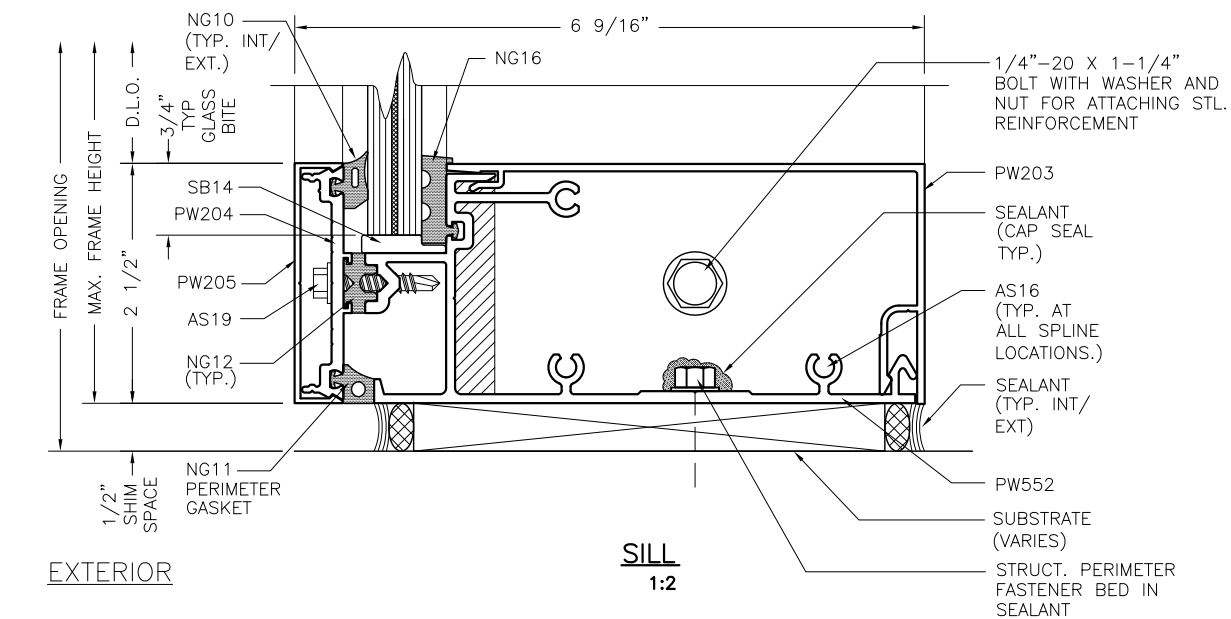
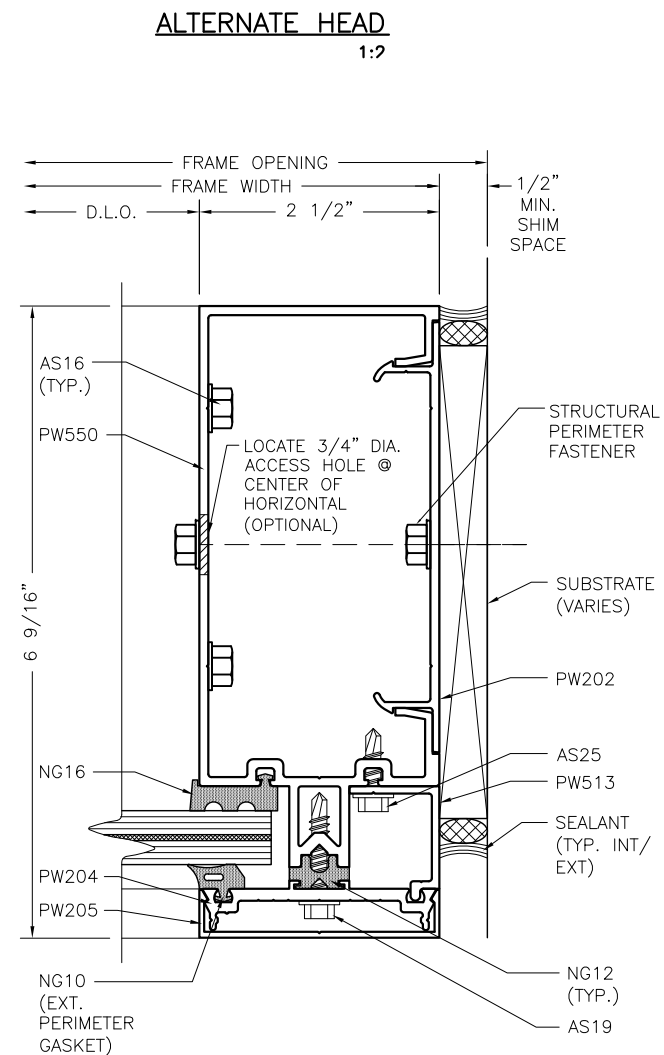
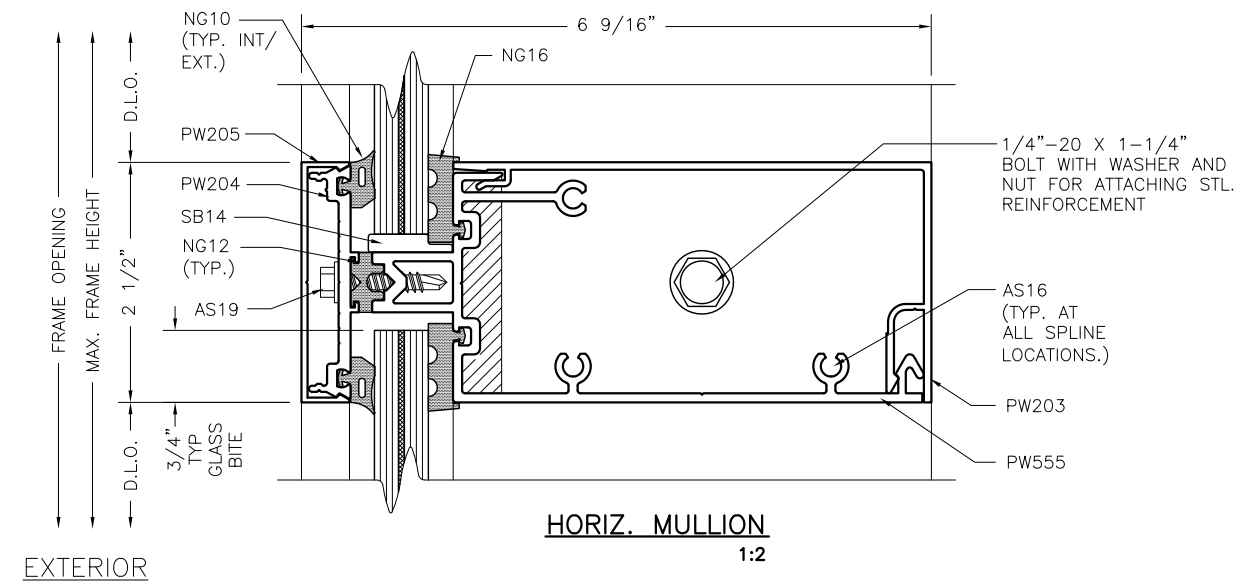
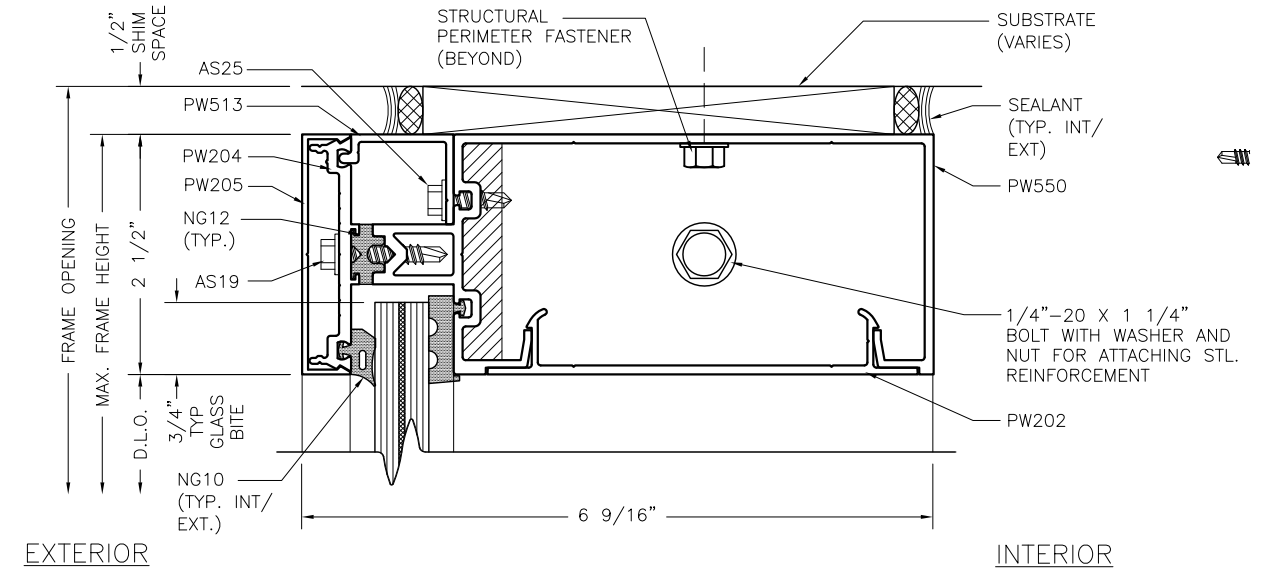
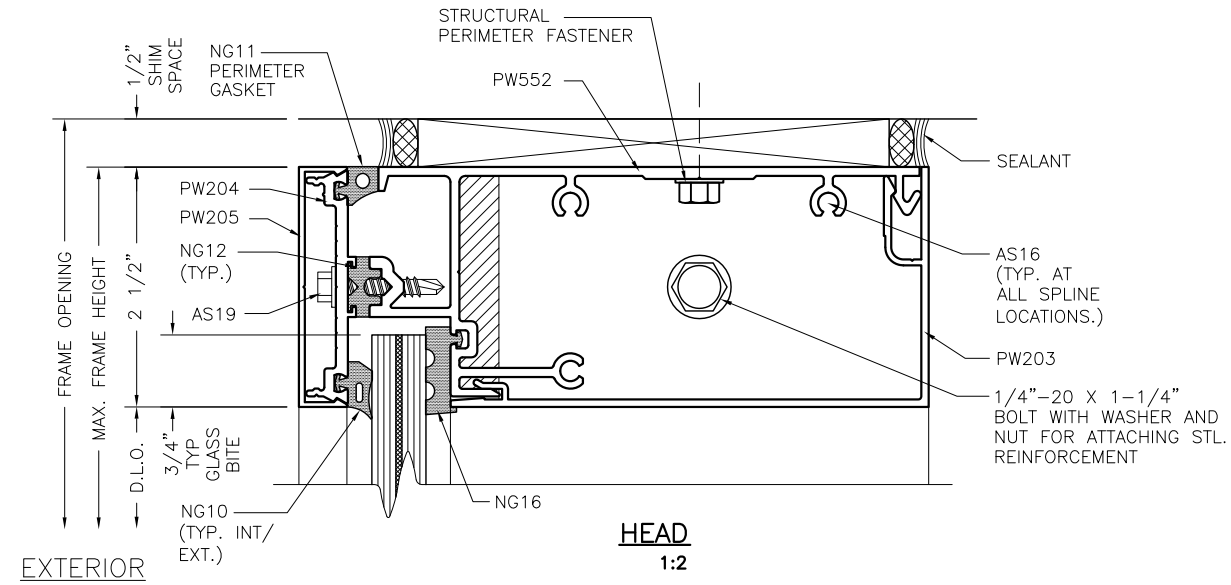
90° CORNER FOR IMPACT GLASS  
1:2

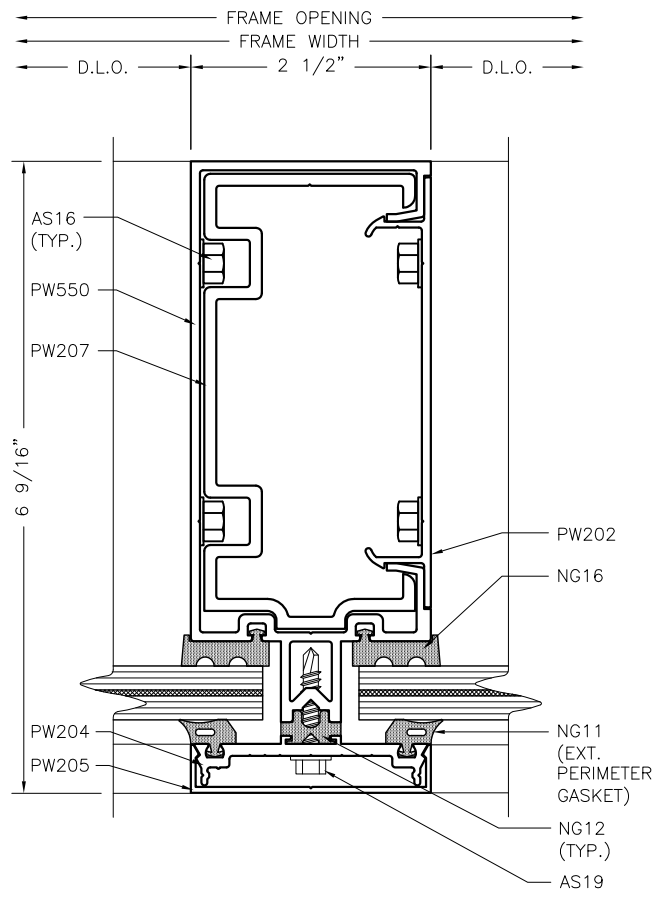
# (DRY GLAZED)



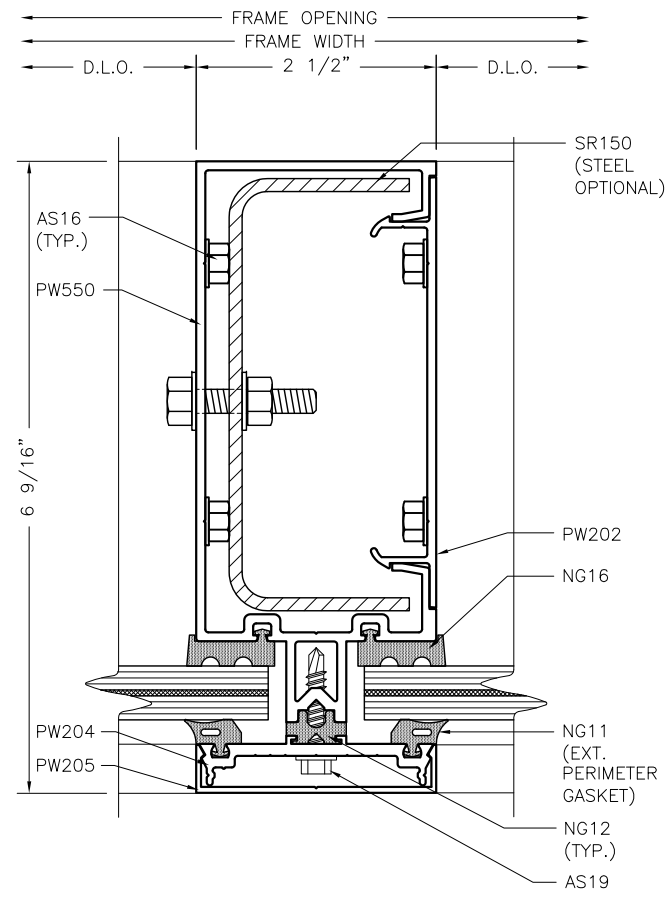
90° CORNER FOR IMPACT GLASS  
1:2

# ARCHITECTURAL DETAILS: PW256 (DRY GLAZED)

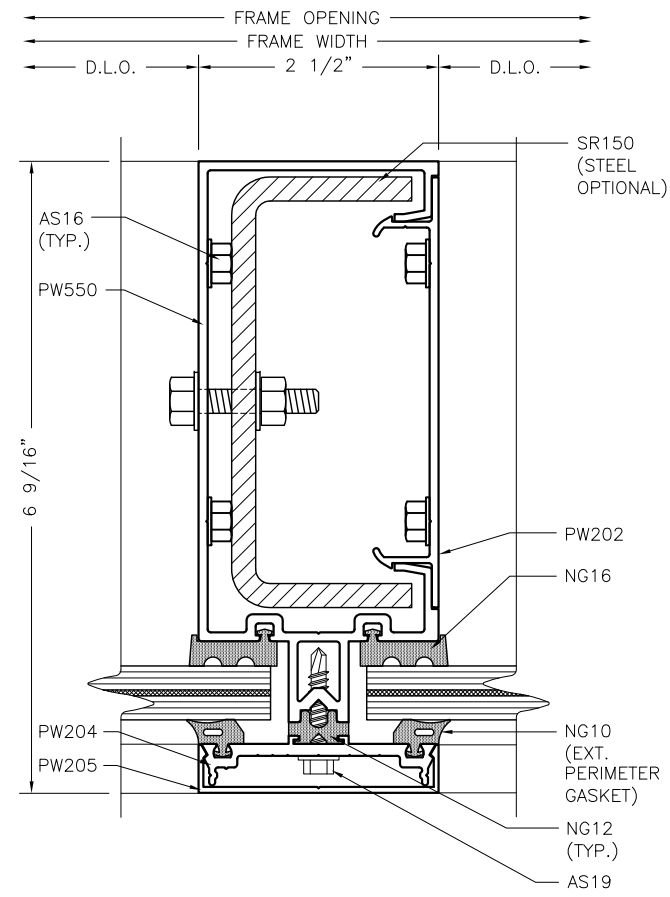




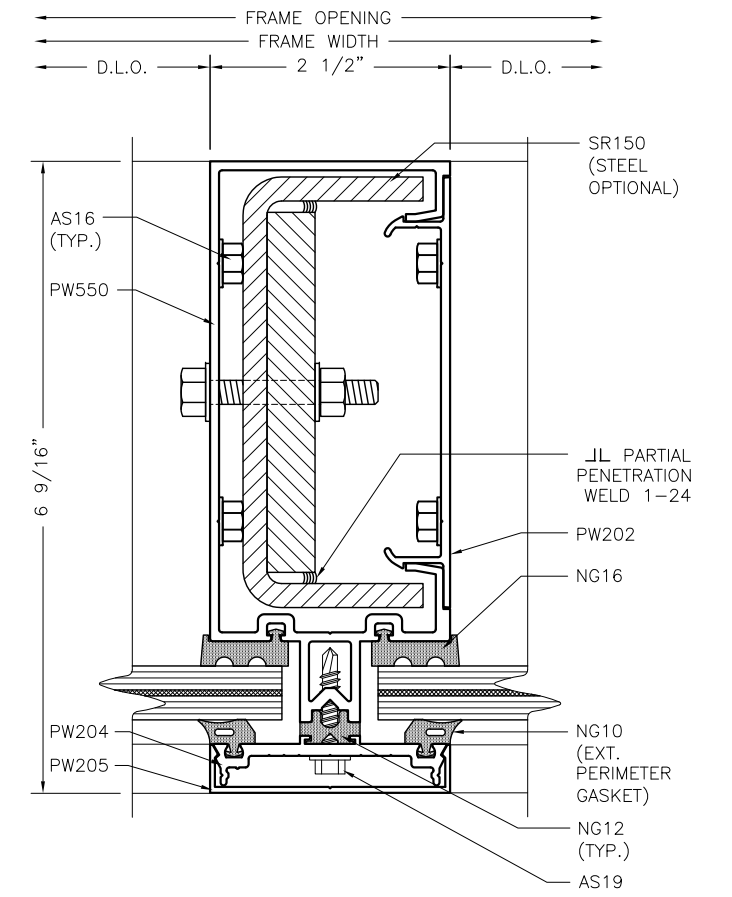
VERTICAL MULLION W/ SPLICE SLEEVE  
1:2



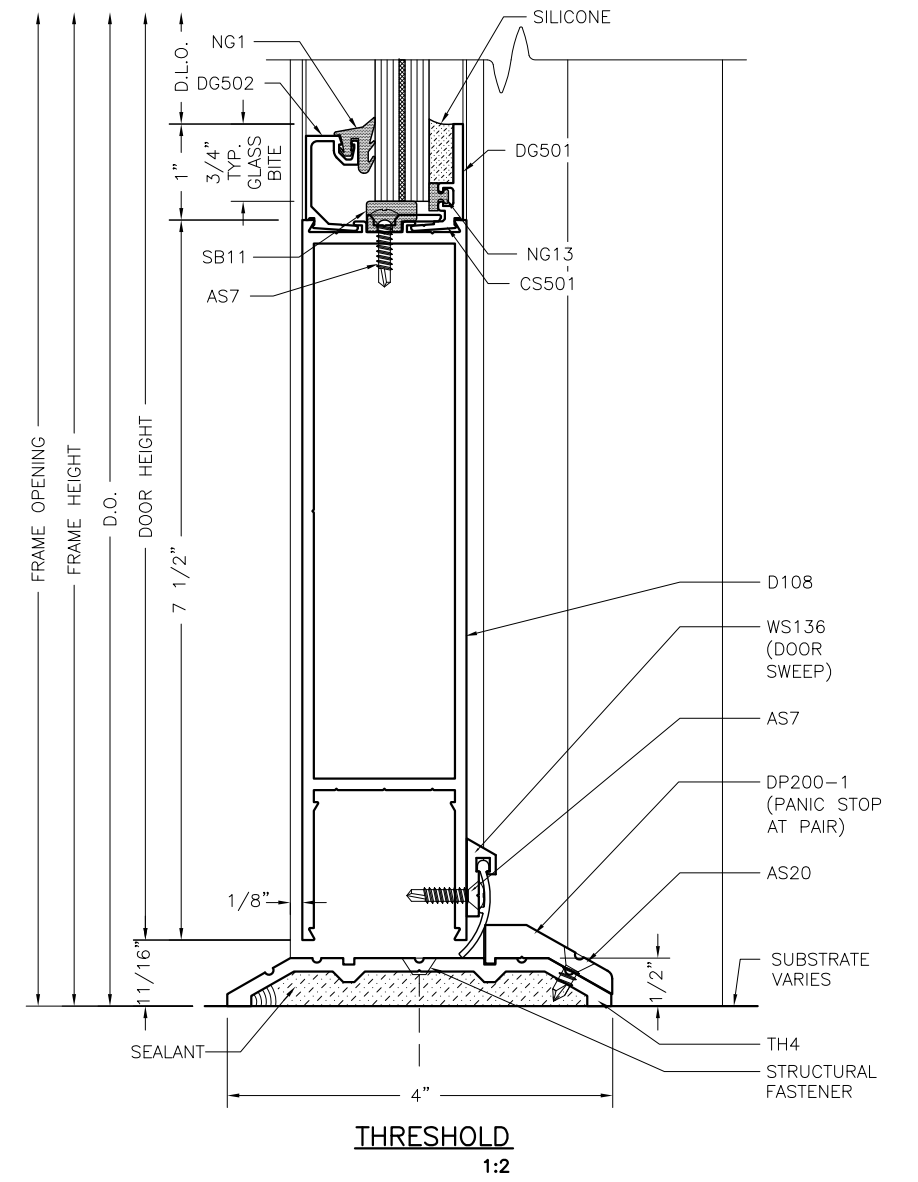
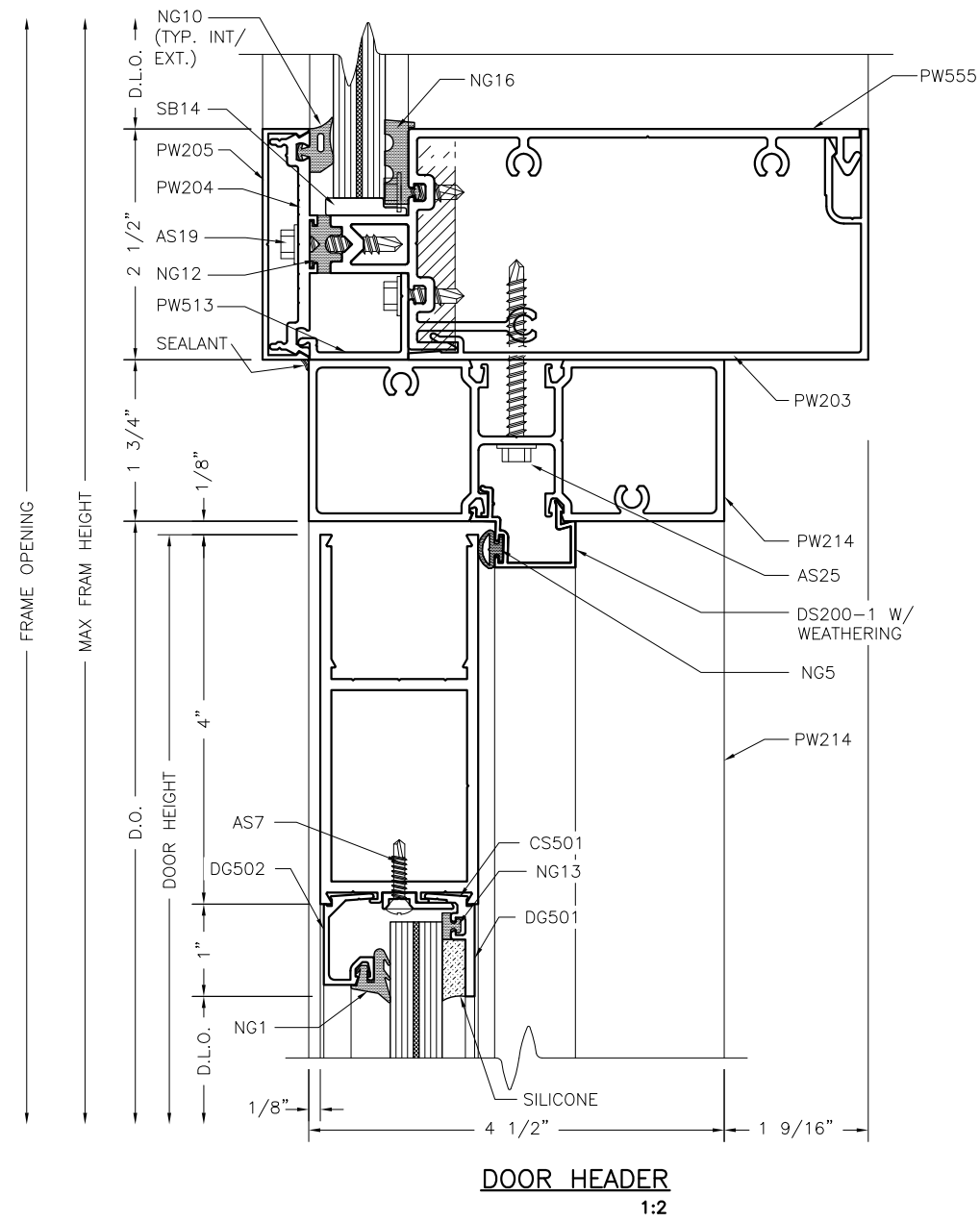
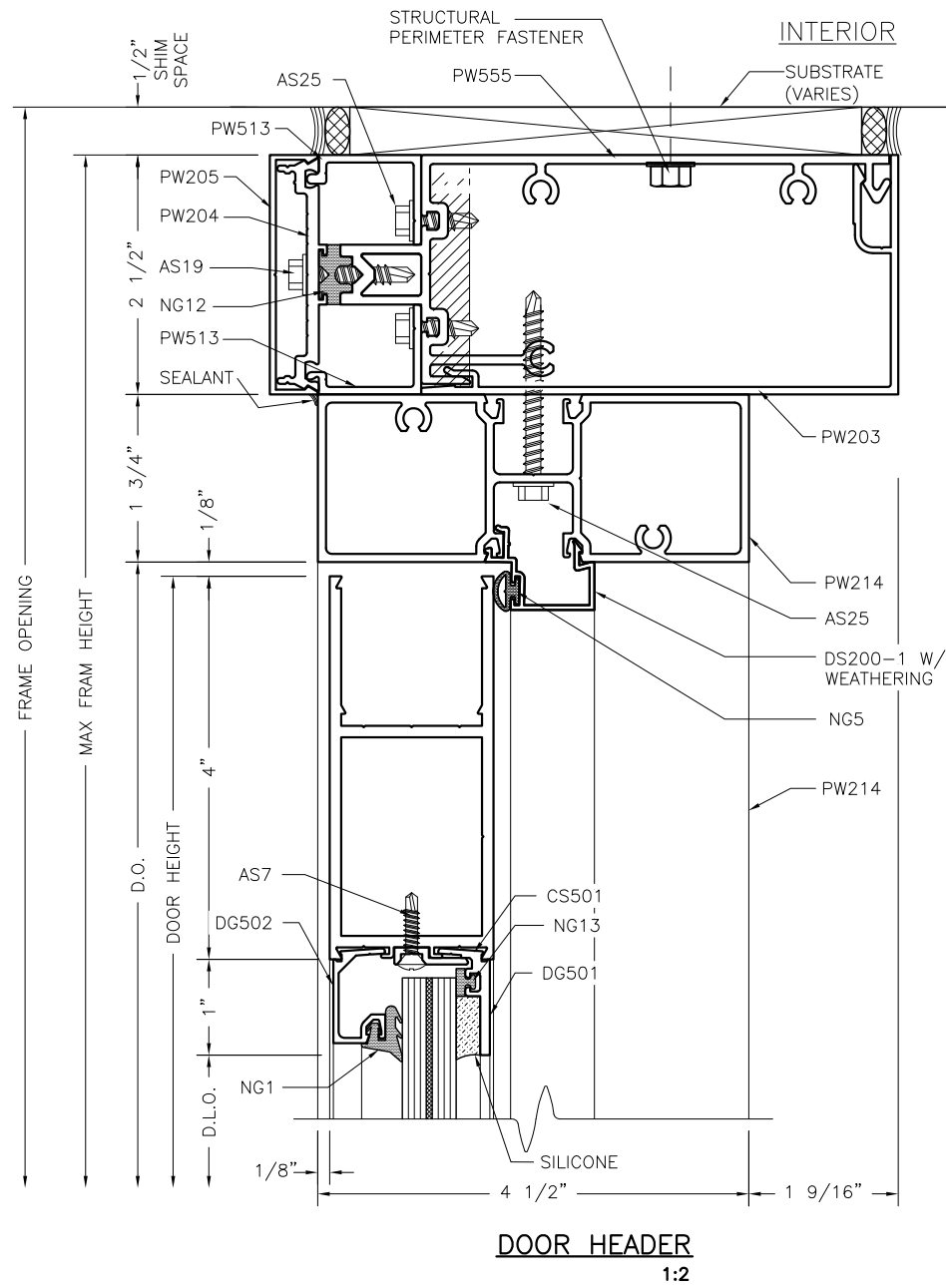
VERTICAL MULLION W/ SR151  
1:2



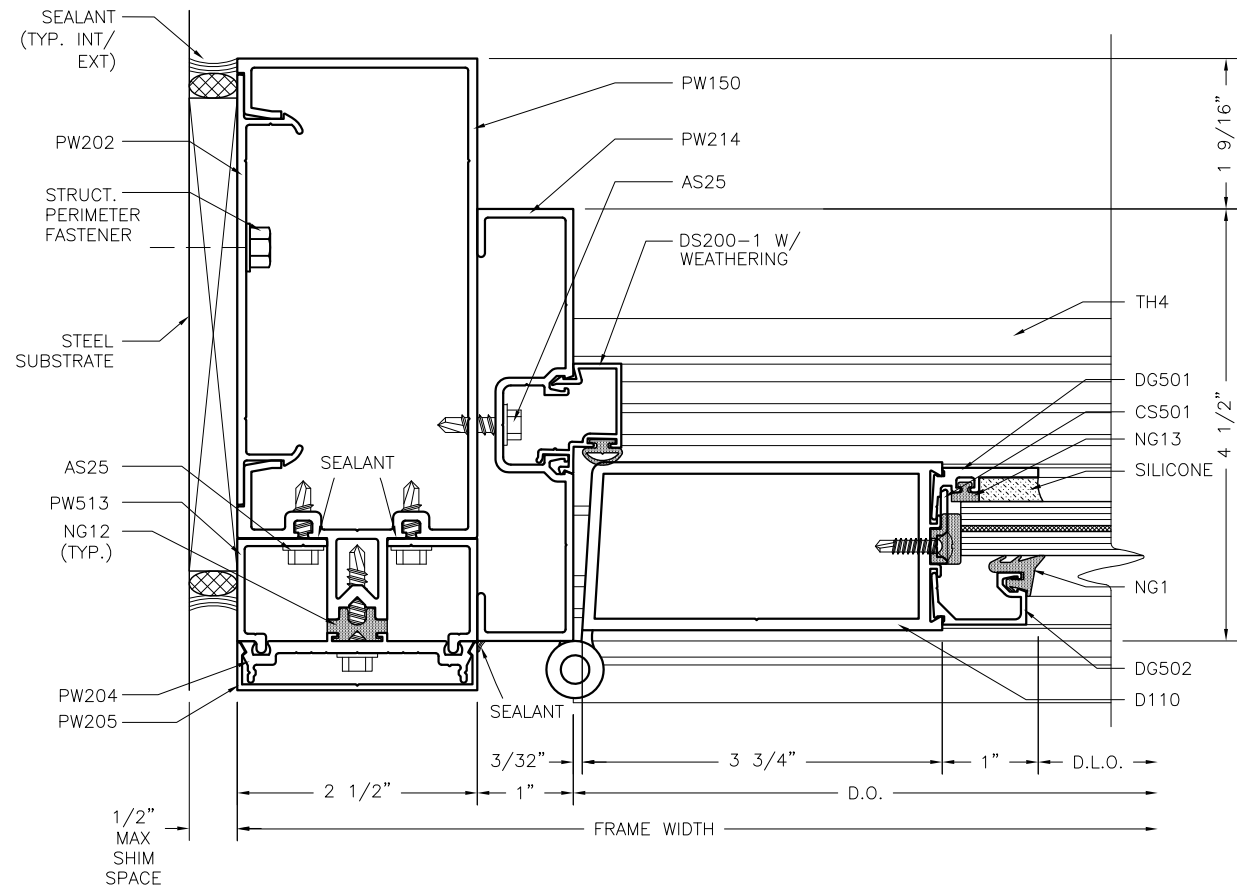
VERTICAL MULLION W/ SR150  
1:2



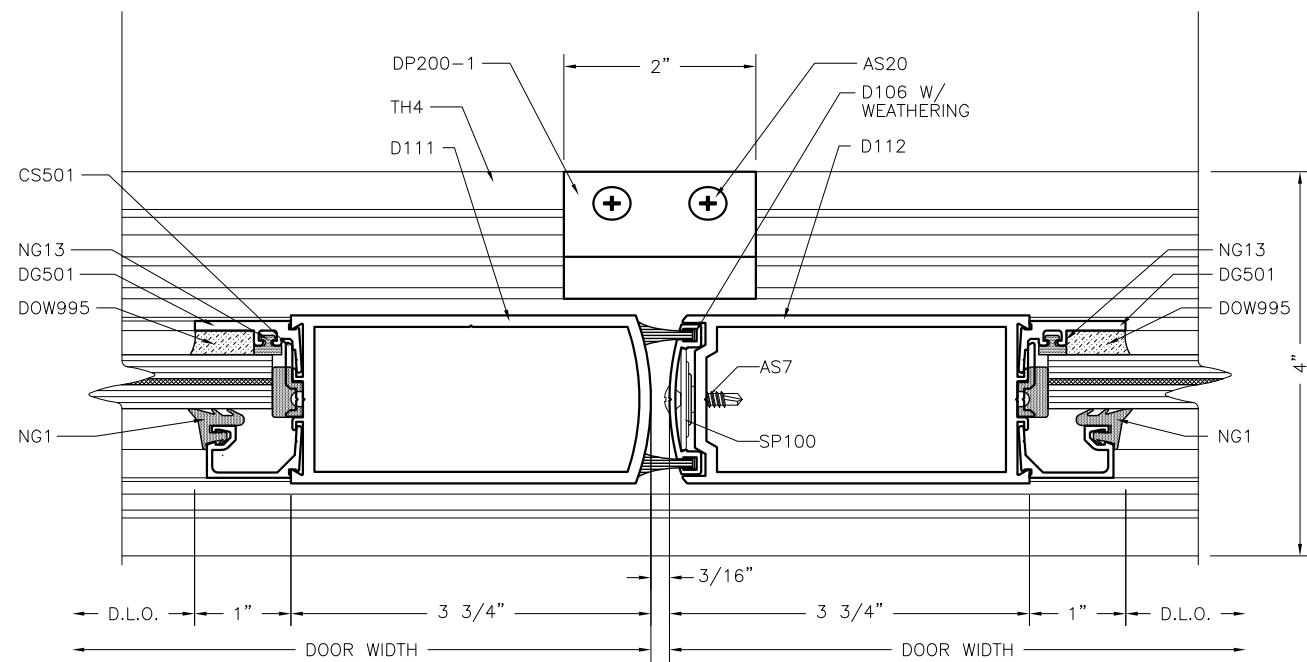
VERTICAL MULLION W/ SR150 & BAR STOCK  
1:2



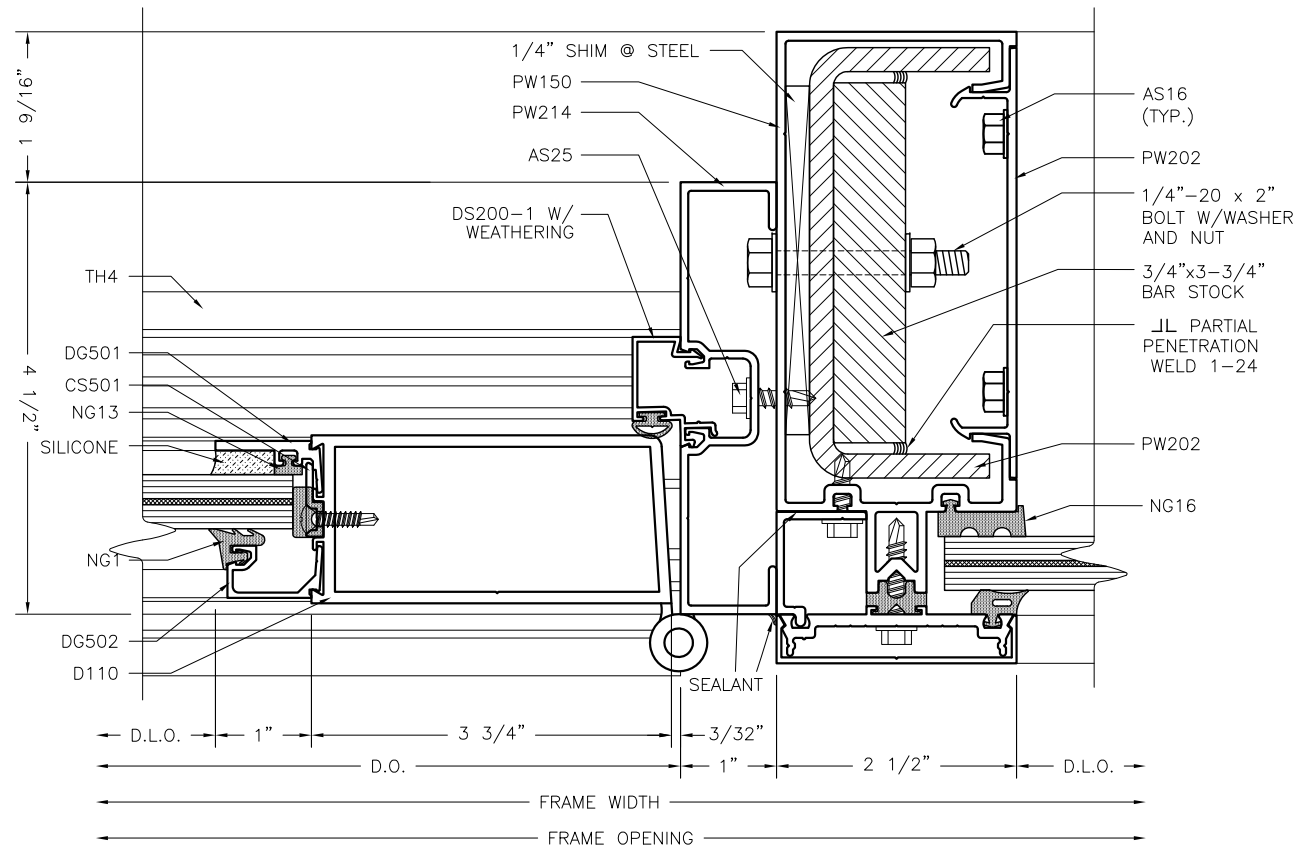




**DOOR JAMB AT WALL**  
1:2



**MEETING STILES**  
1:2



**INTERM. DOOR JAMB**  
1:2