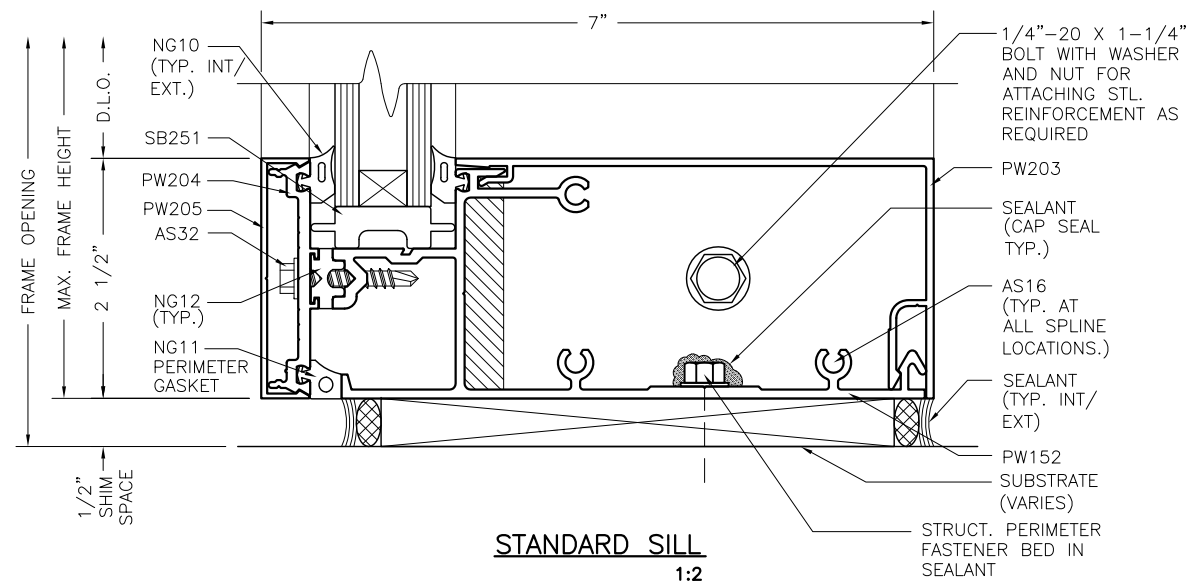
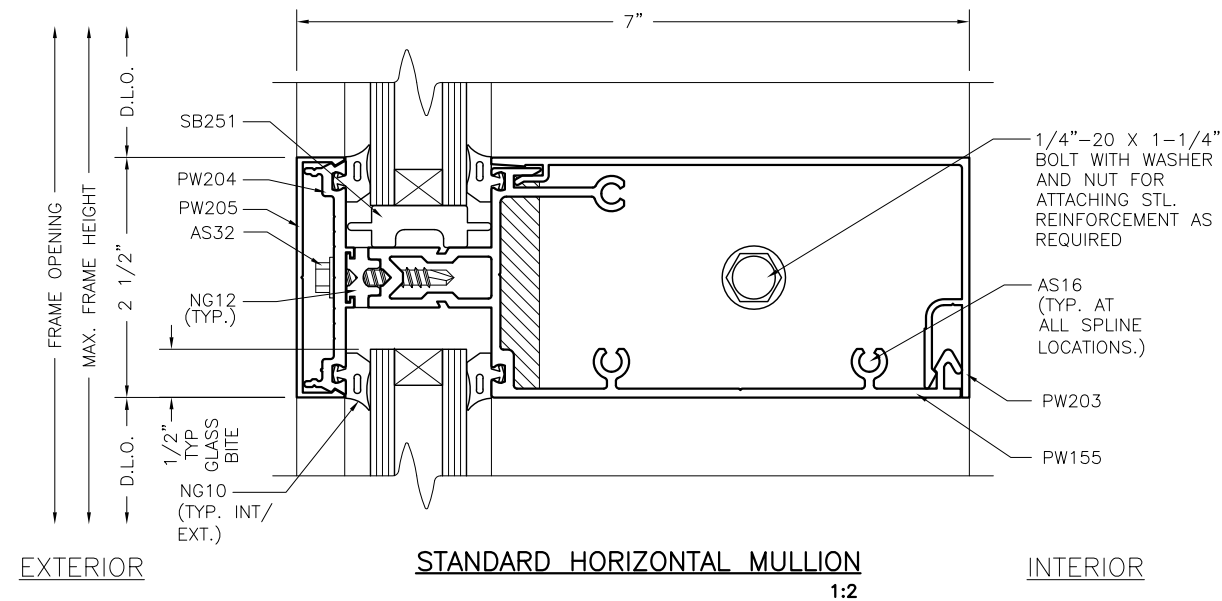
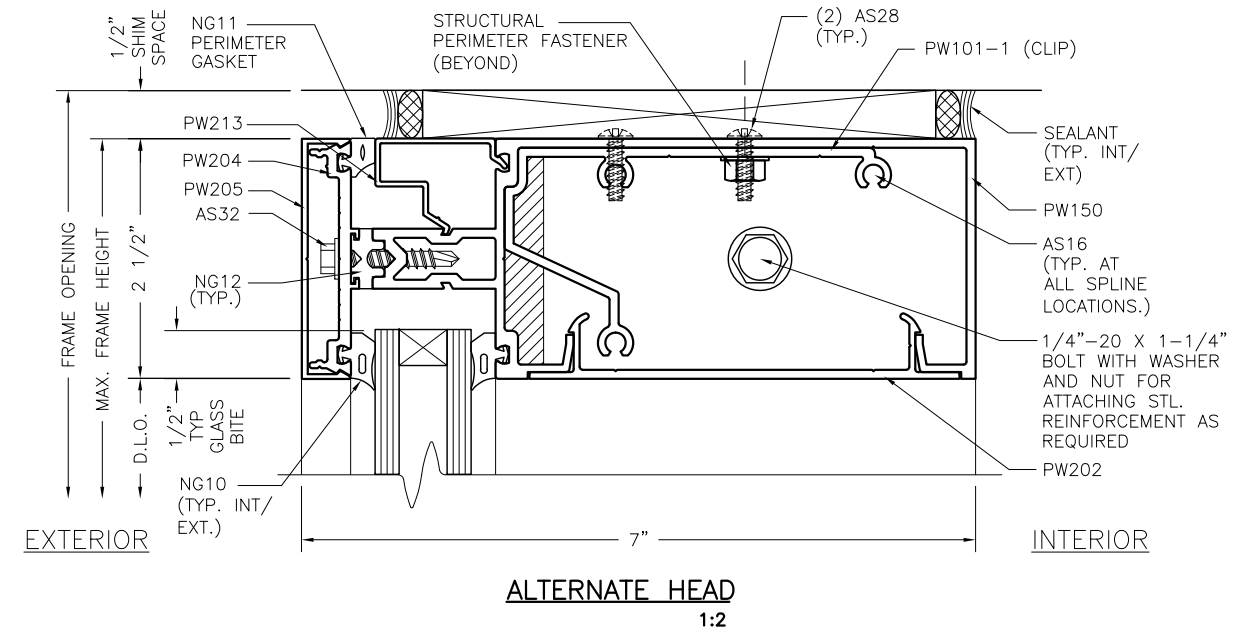
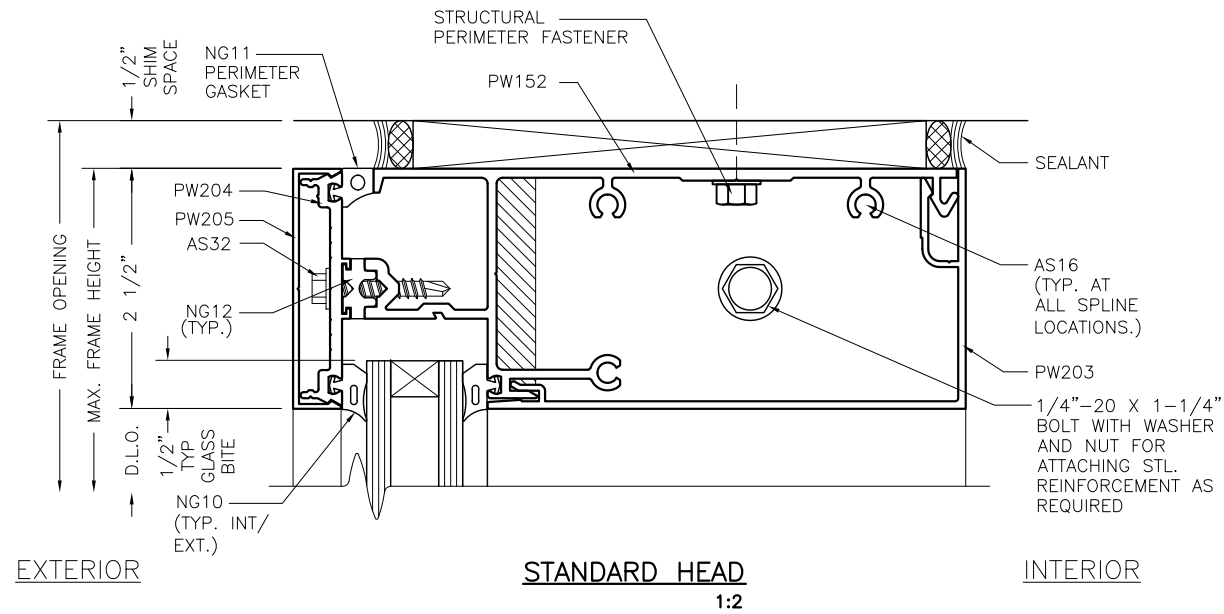
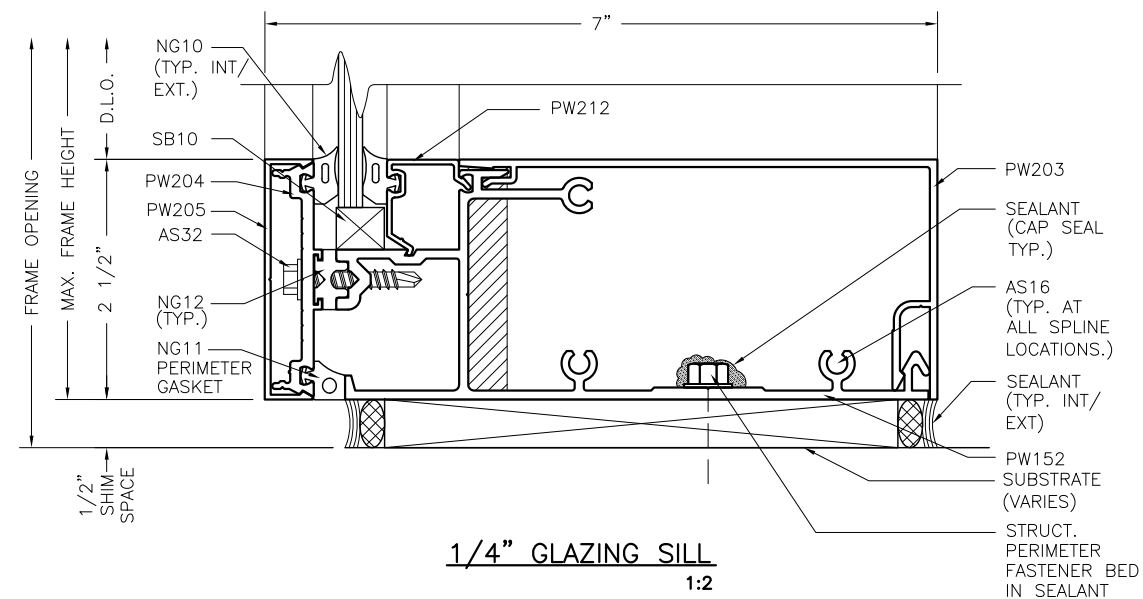
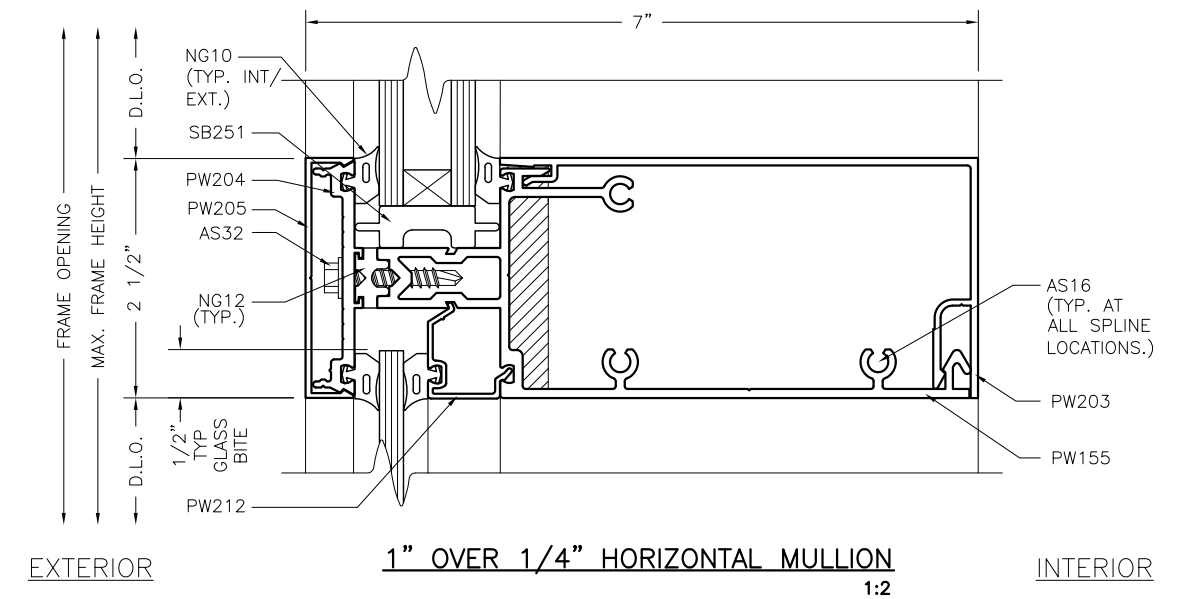
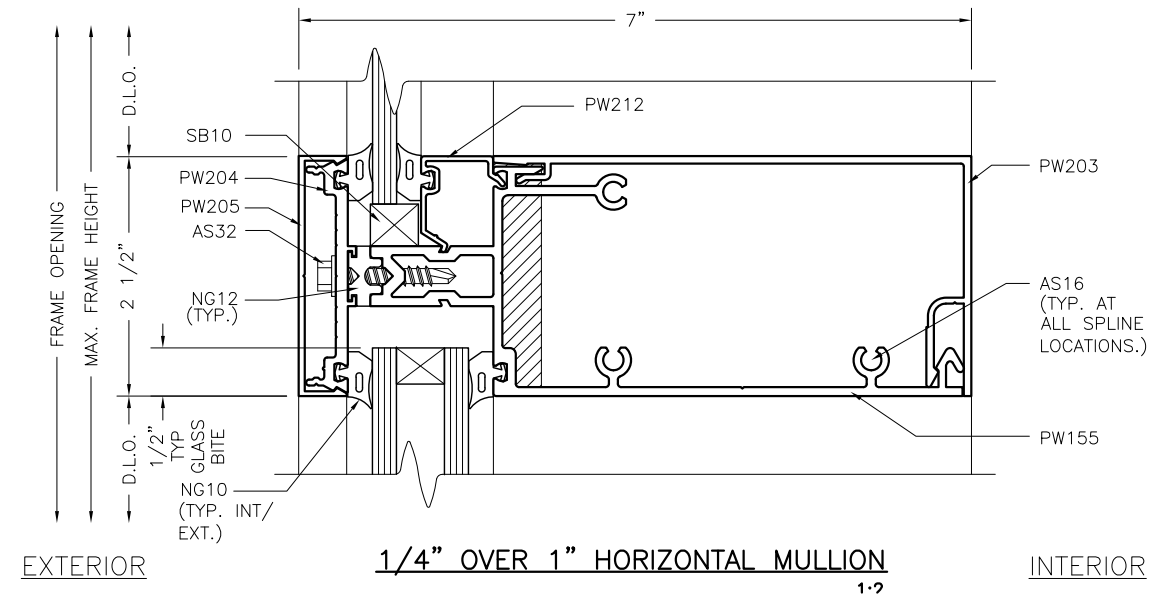
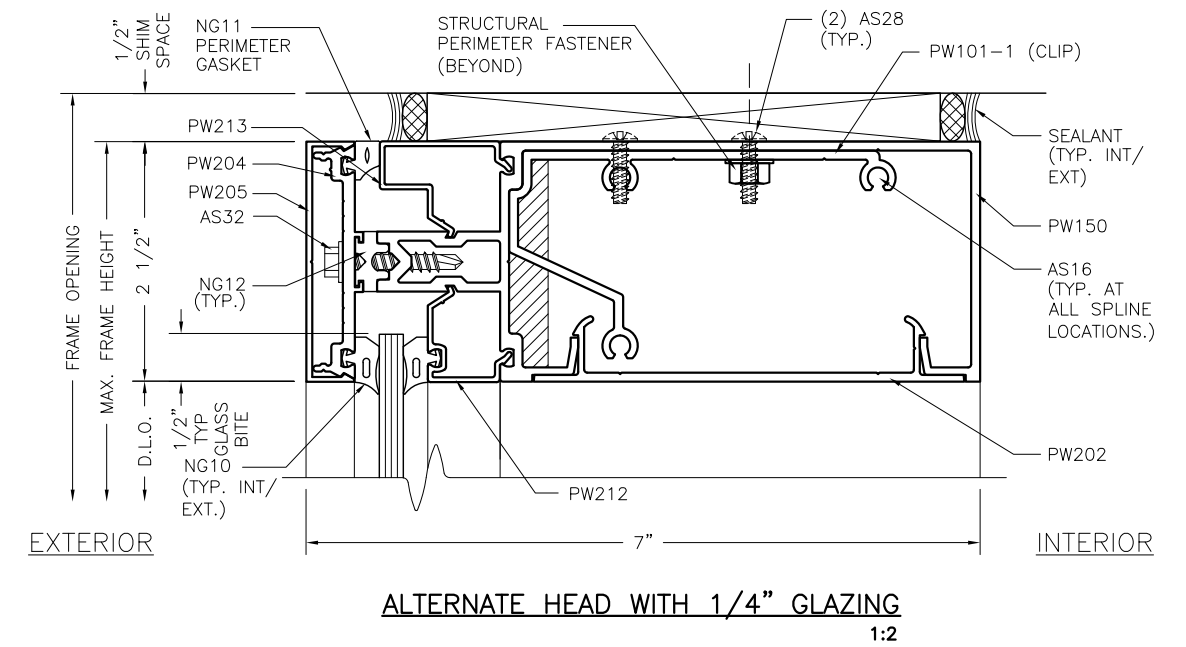
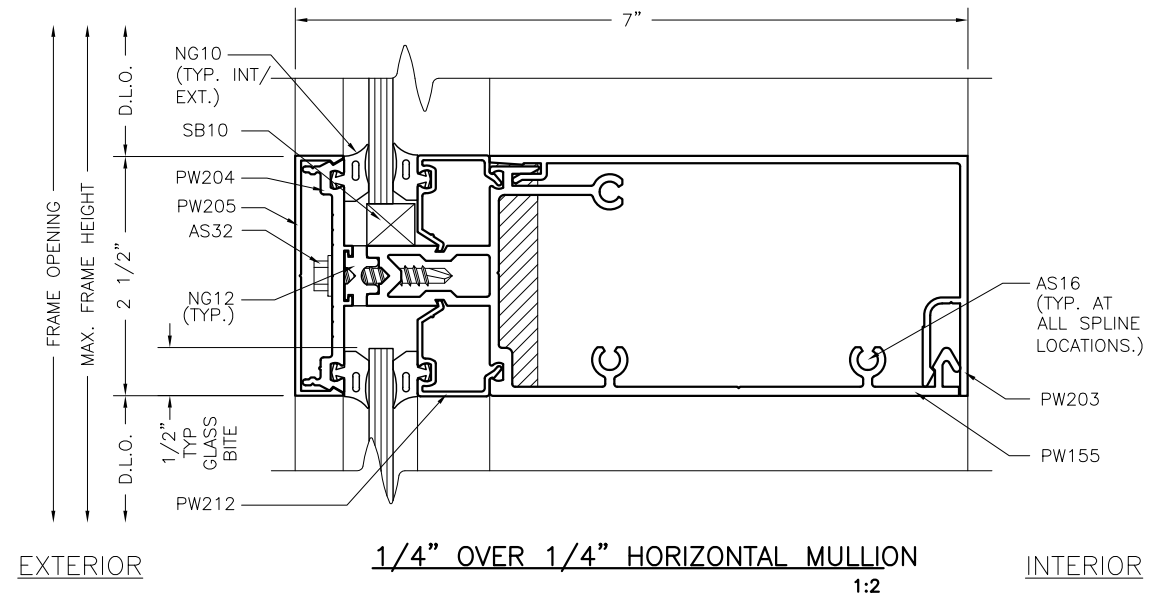
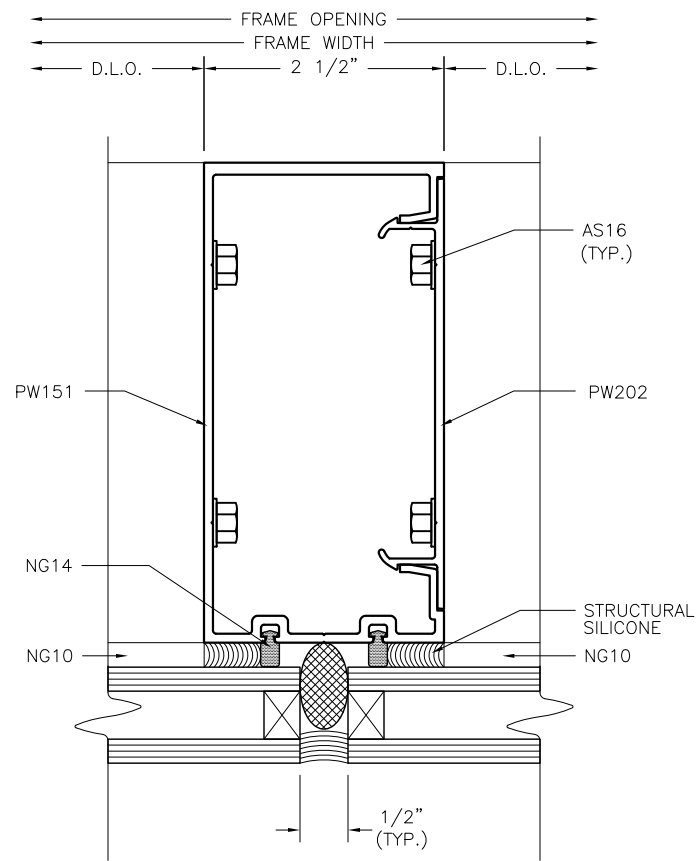


# ARCHITECTURAL DETAILS: PW251

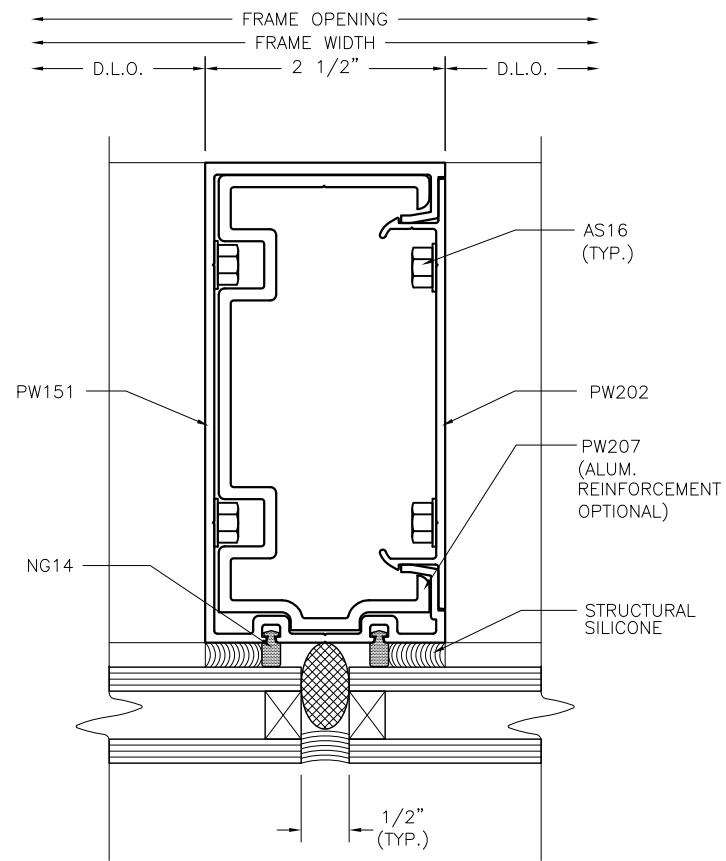


**NOTE:**  
 REFERENCE PW251 INSTALLATION INSTRUCTIONS FOR STRUCTURAL PERIMETER FASTENER TYPES AND LOCATIONS FOR CONCRETE, STEEL, OR WOOD SUBSTRATES.

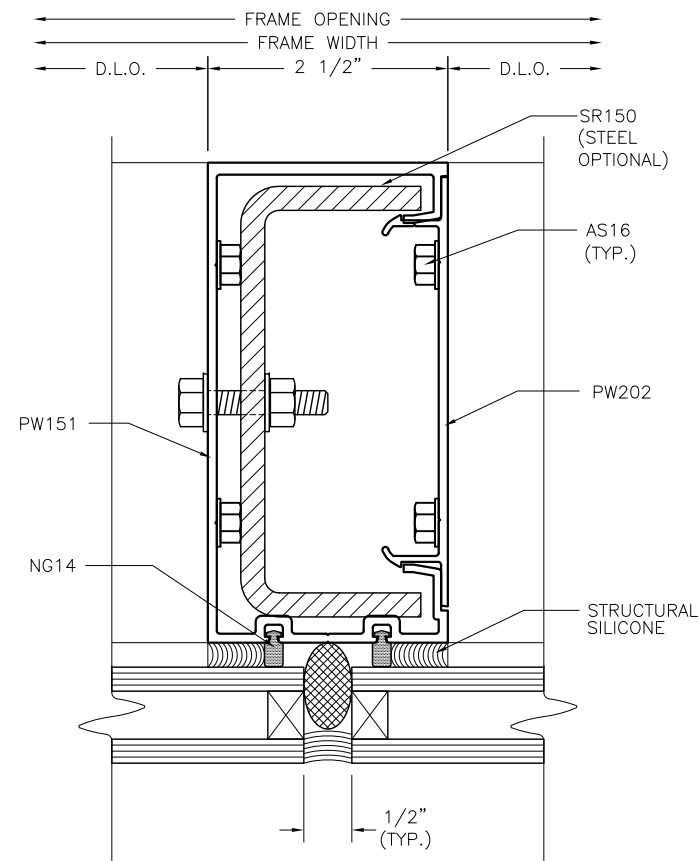




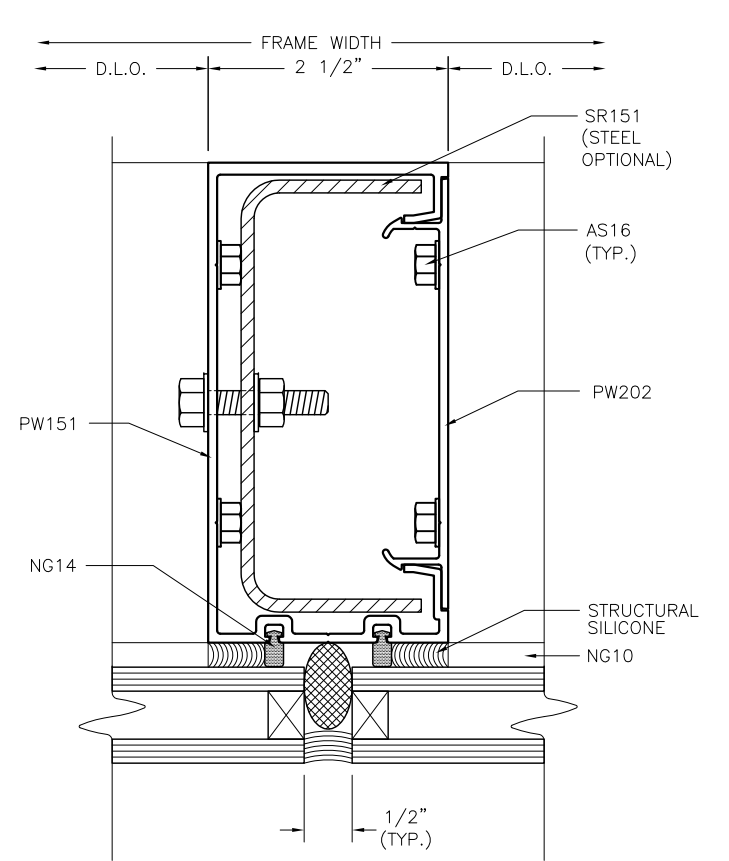
**B.G. MULLION**  
1:2



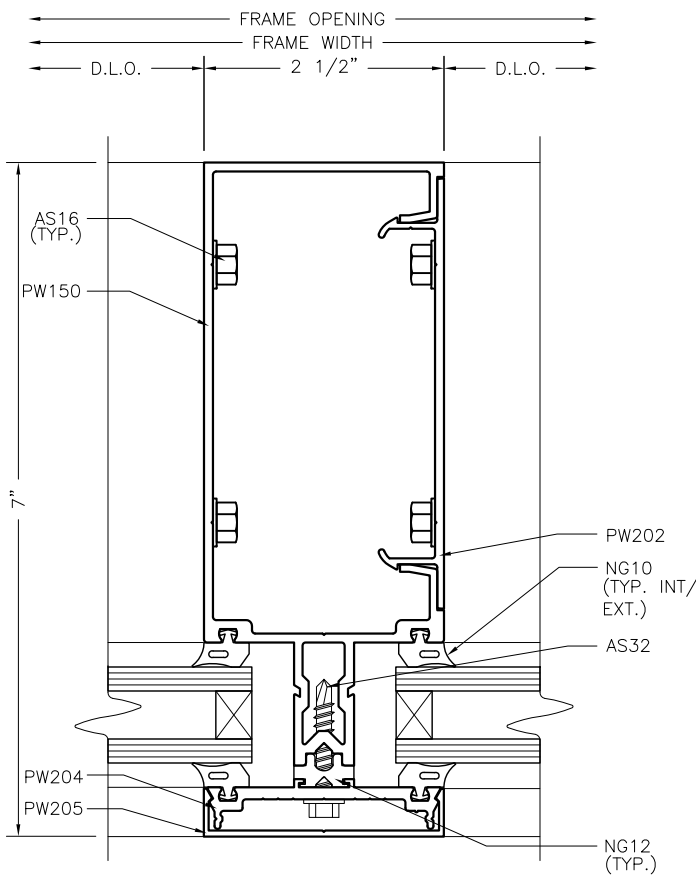
**B.G. MULLION W/ SPLICE SLEEVE**  
1:2



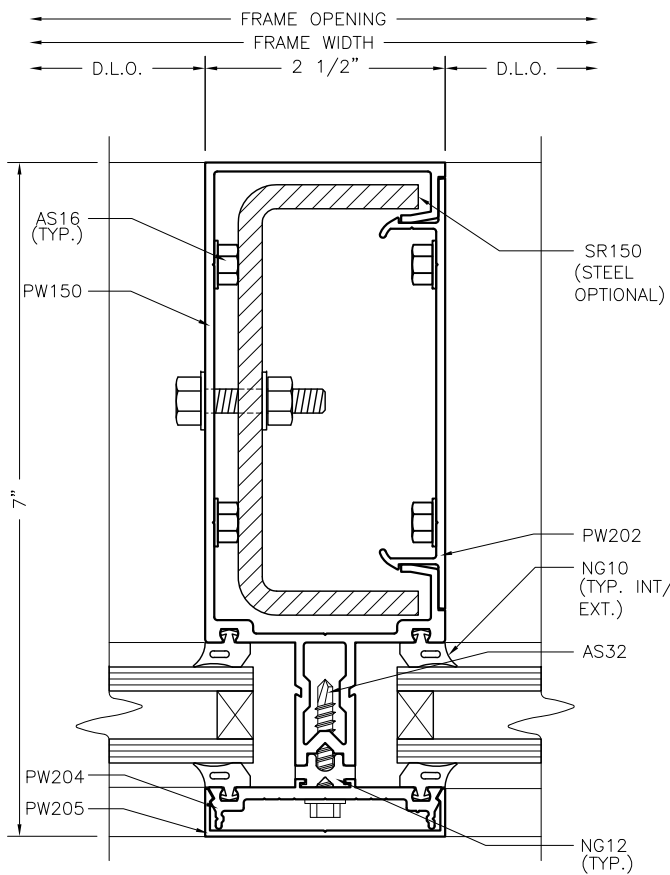
**B.G. MULLION W/ SR150**  
1:2



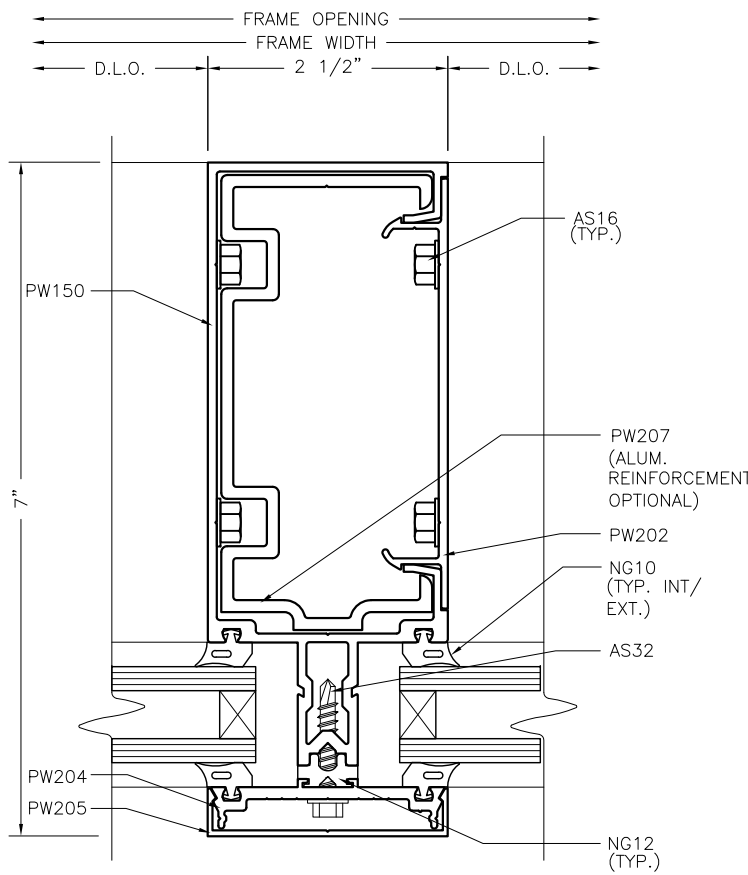
**B.G. MULLION W/ SR151**  
1:2



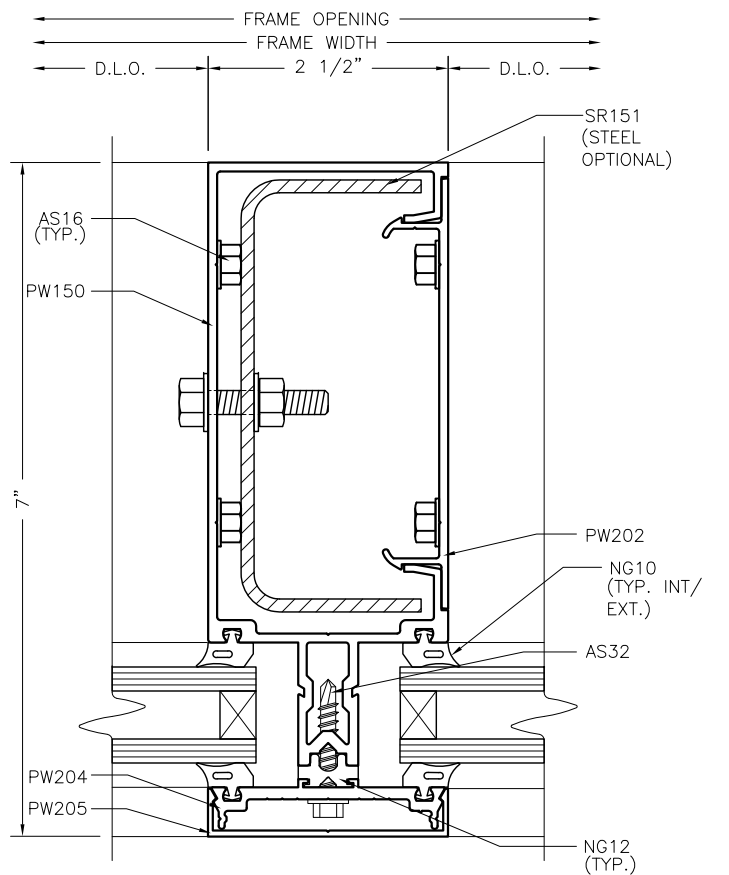
**VERTICAL MULLION**  
1:2



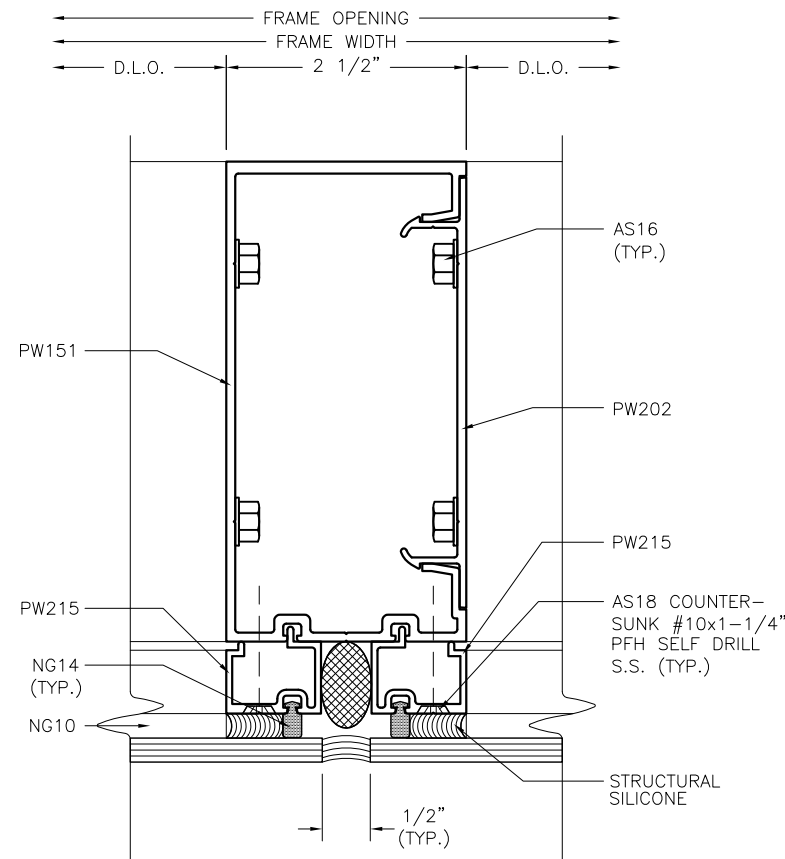
**VERTICAL MULLION W/ SR150**  
1:2



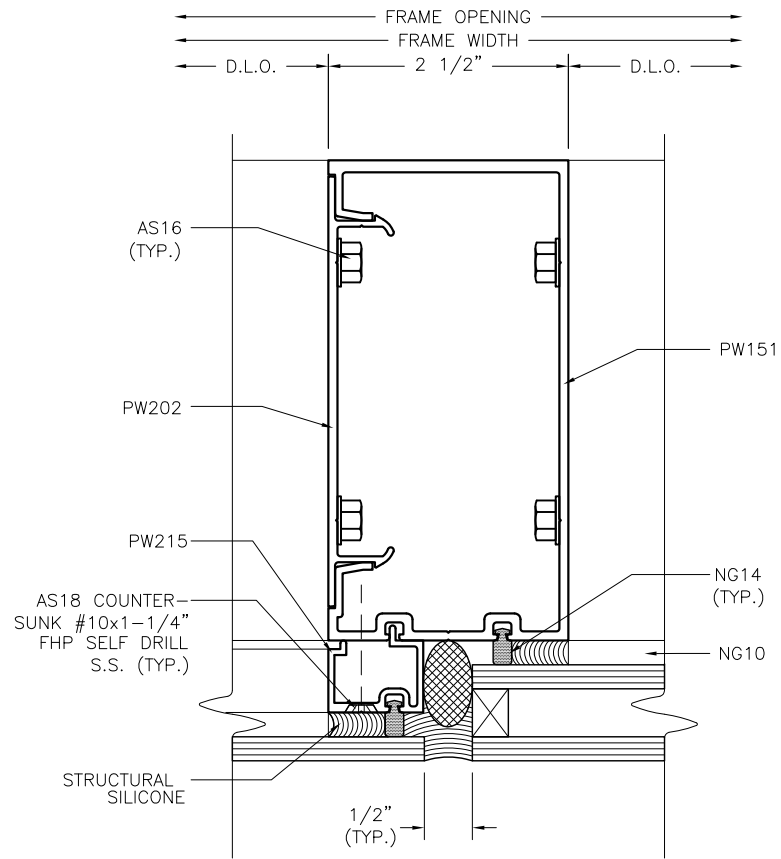
**VERTICAL MULLION W/ SPLICE SLEEVE**  
1:2



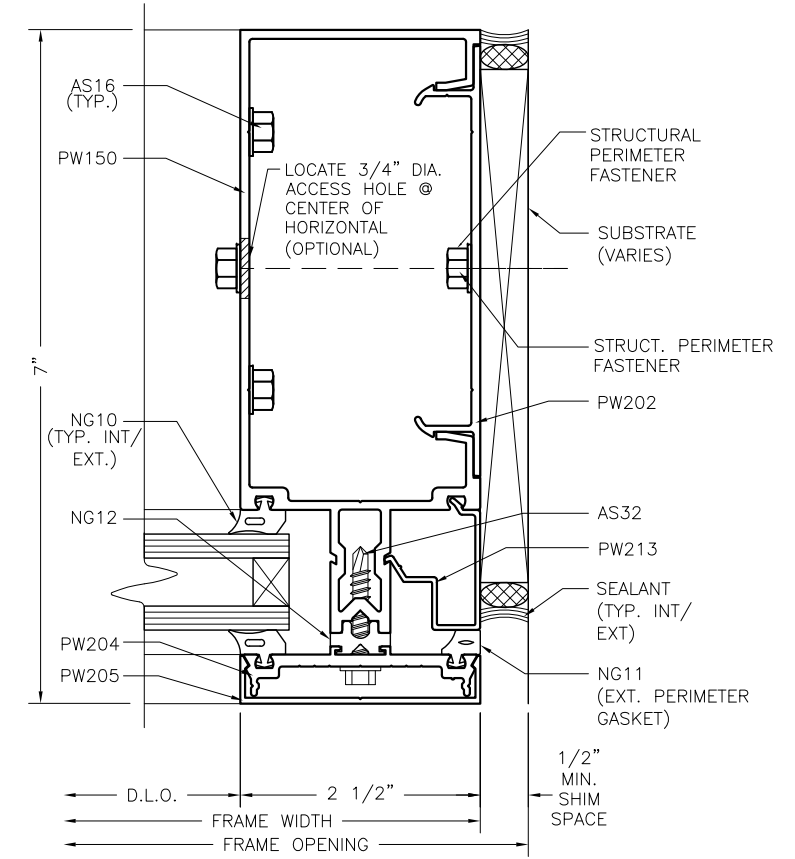
**VERTICAL MULLION W/ SR151**  
1:2



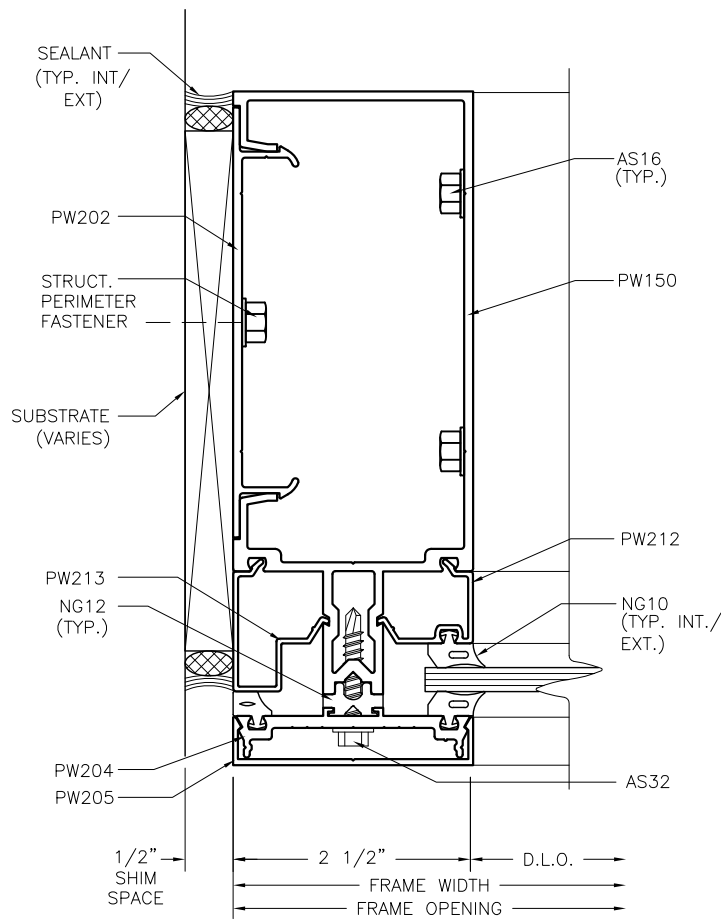
**B.G. MULLION 1/4" GLAZING**  
1:2



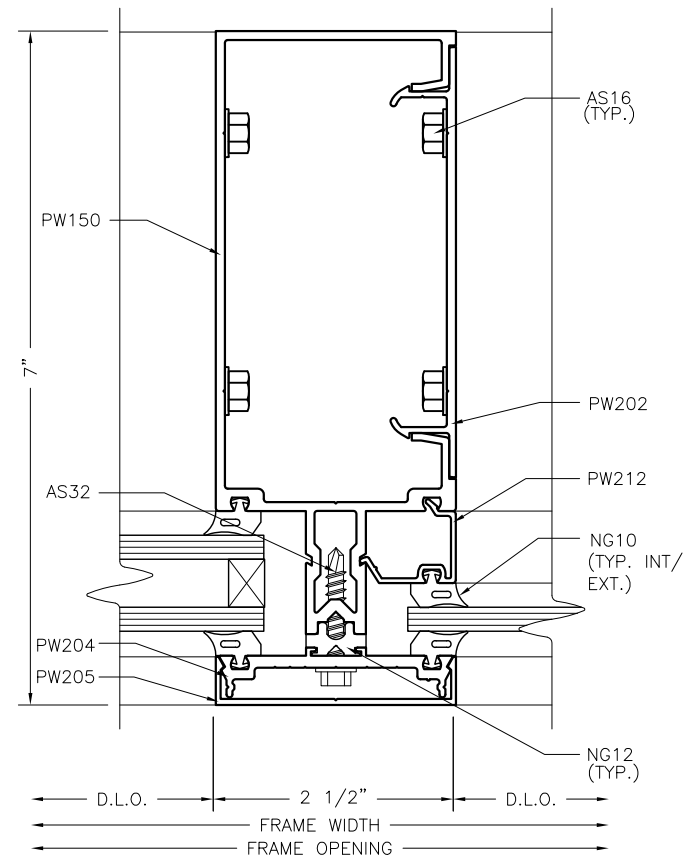
**B.G. MULLION TRANSITION GLAZING**  
1:2



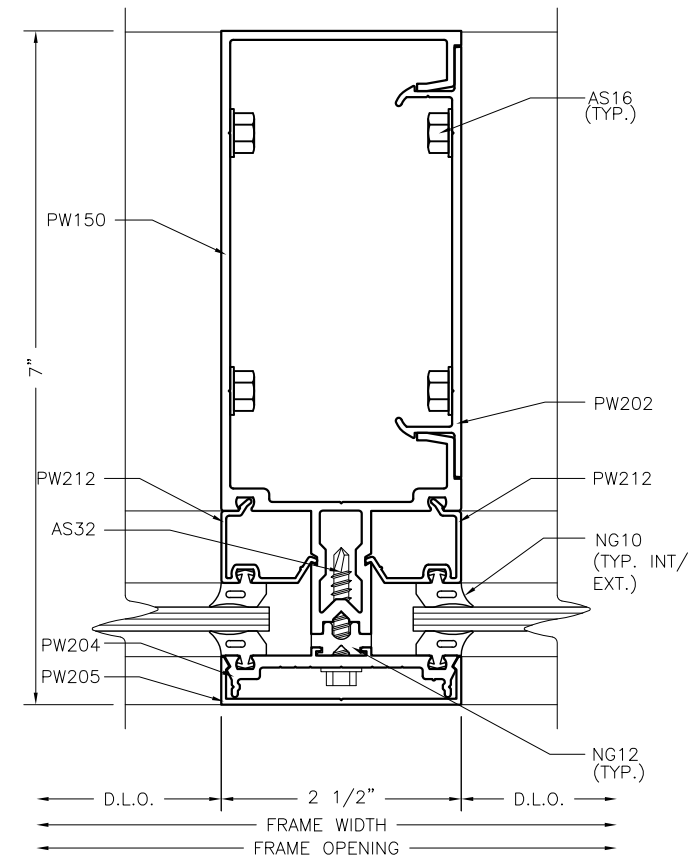
**STANDARD JAMB**  
1:2



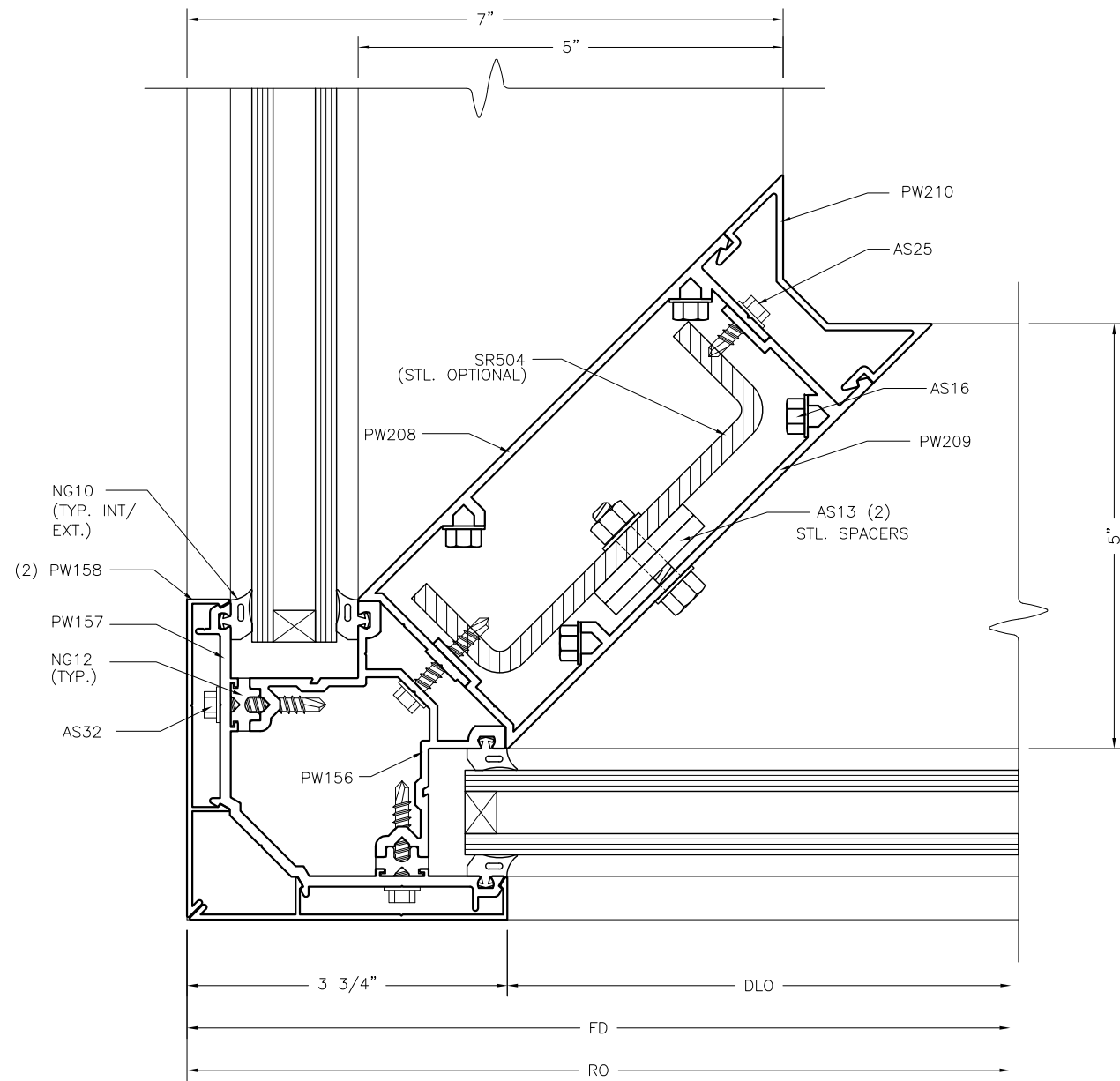
**1/4" TRANSITION GLAZING JAMB**  
1:2



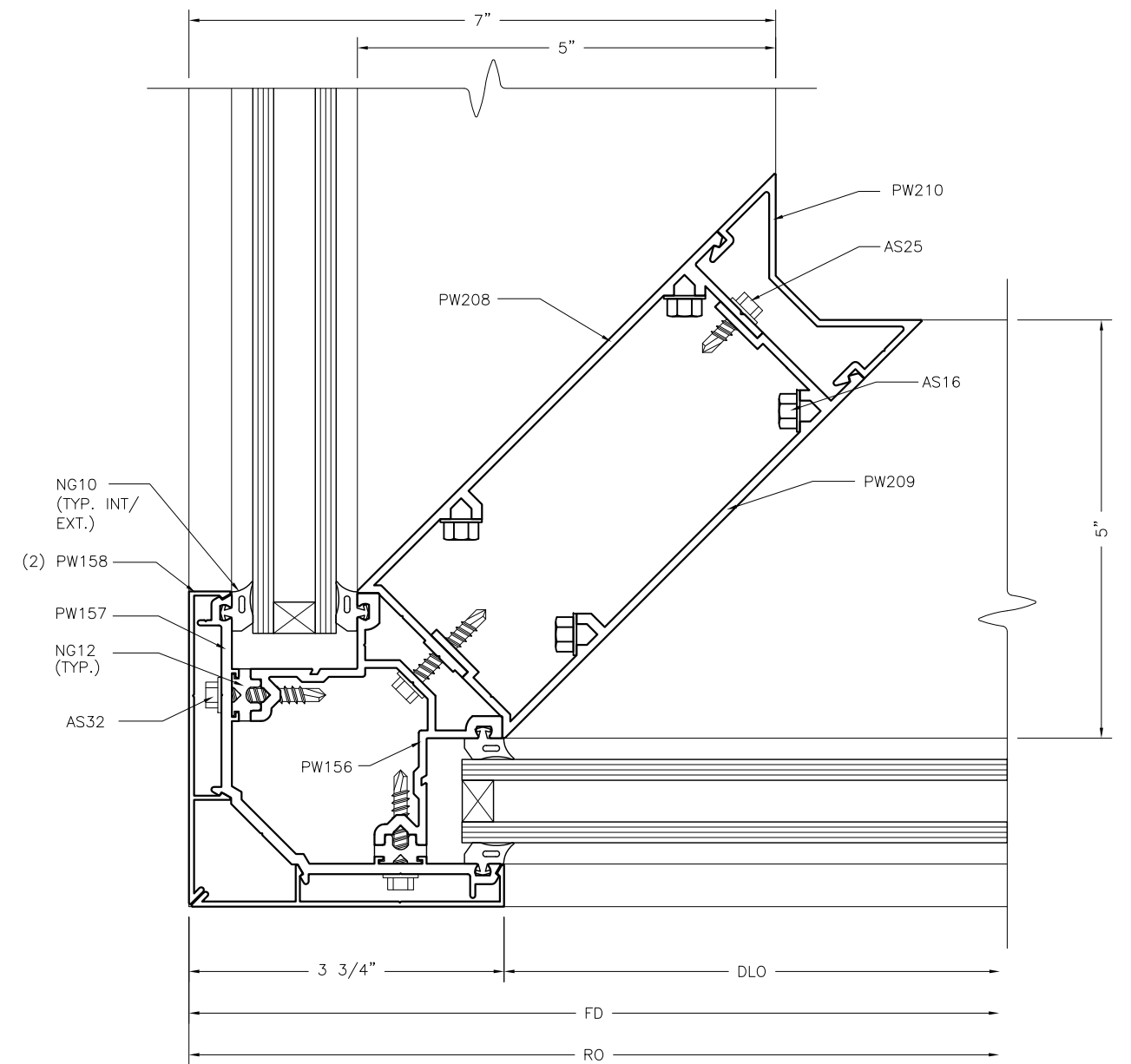
**1" - 1/4" TRANSITION GLAZING**  
1:2



**1/4" - 1/4" TRANSITION GLAZING**  
1:2

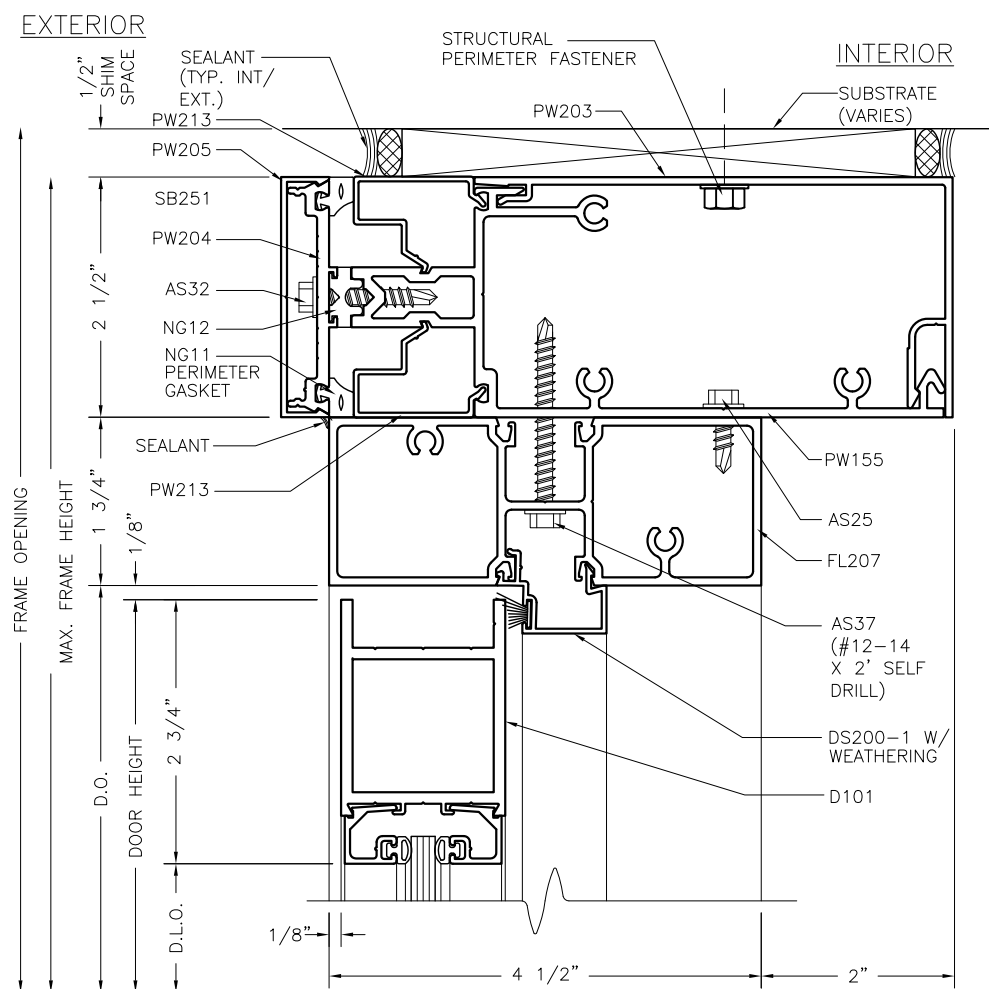


90° CORNER WITH SR504  
1:2

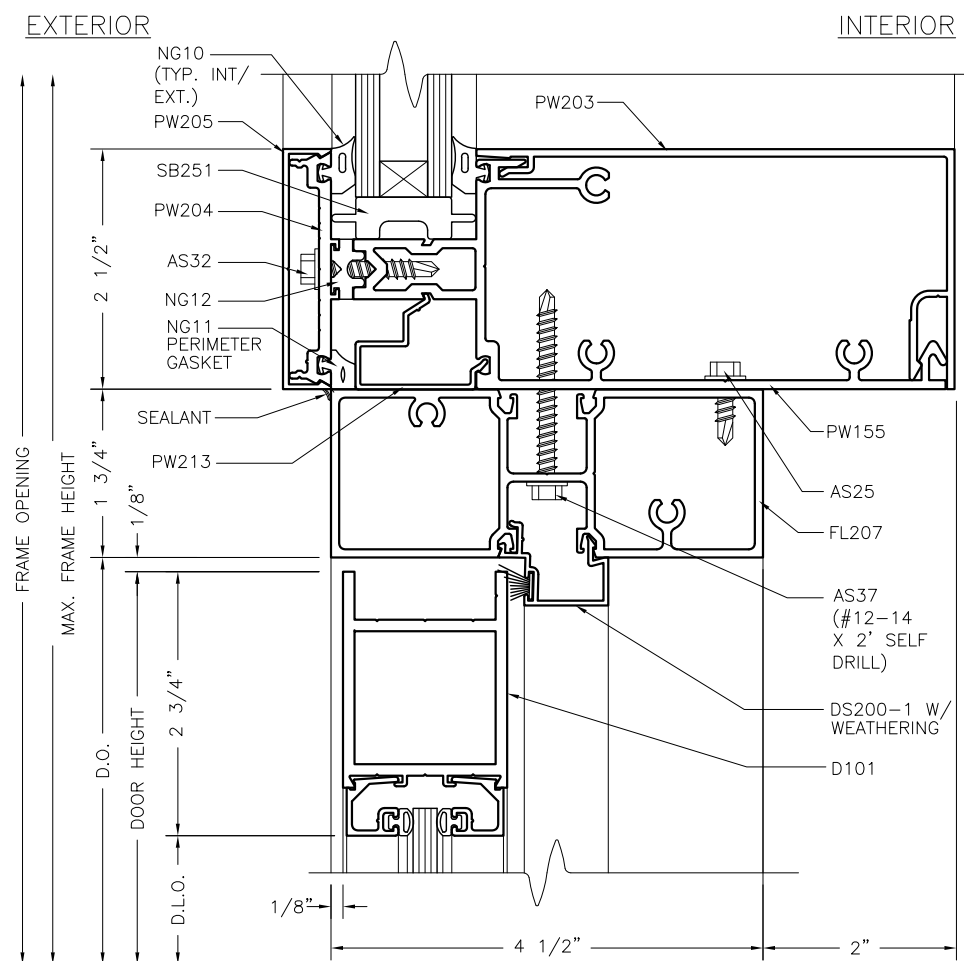


90° CORNER  
1:2

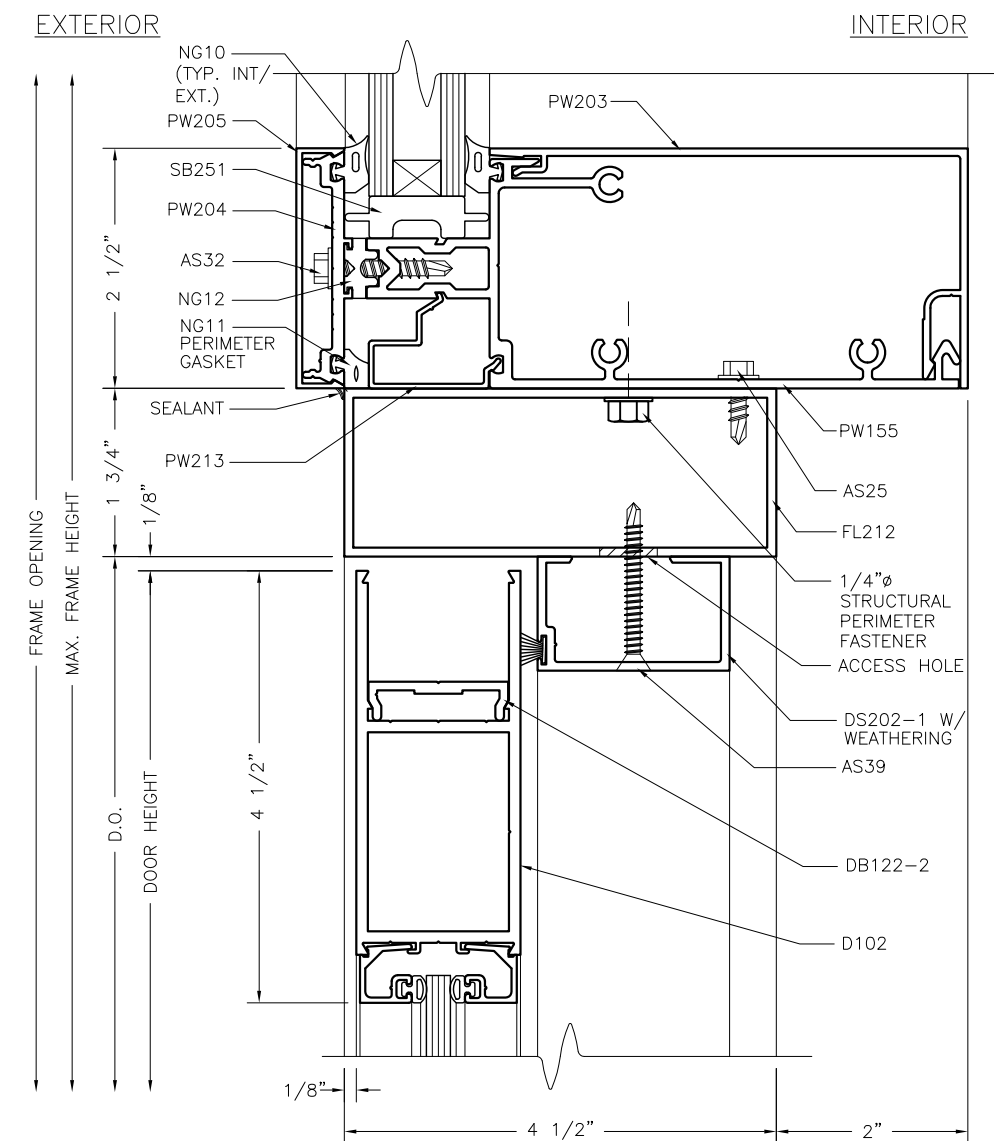
# ARCHITECTURAL DETAILS: PW251



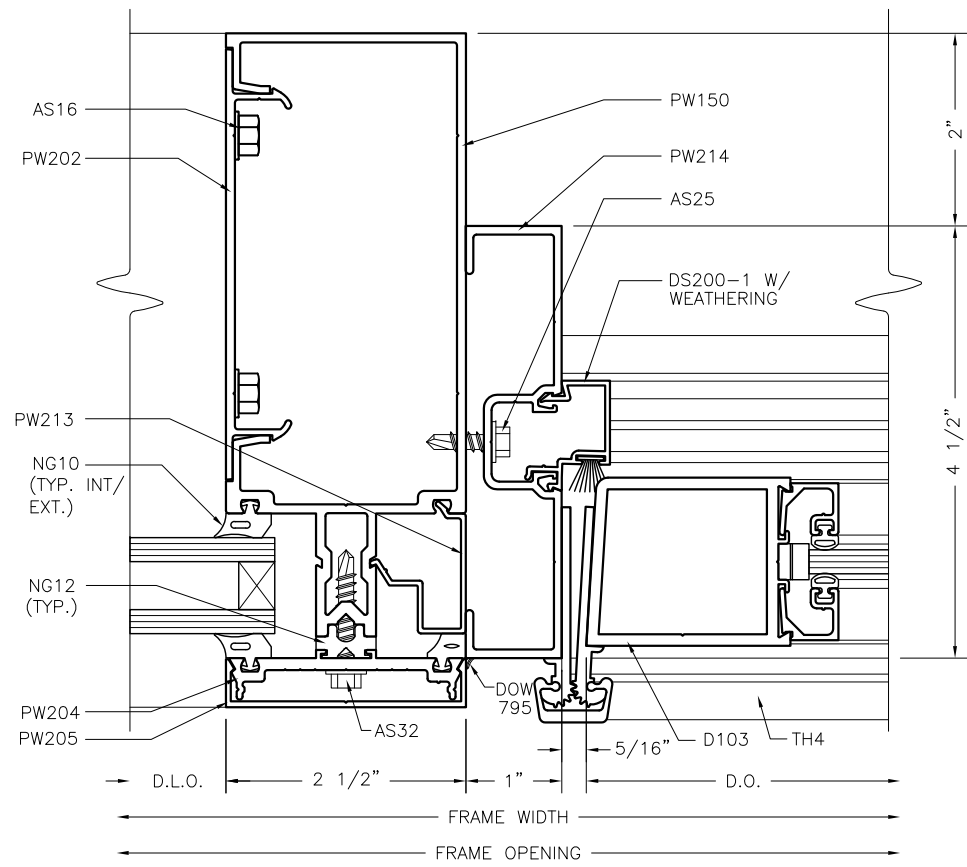
**DOOR FRAME HEADER FOR SURFACE CLOSER**  
1:2



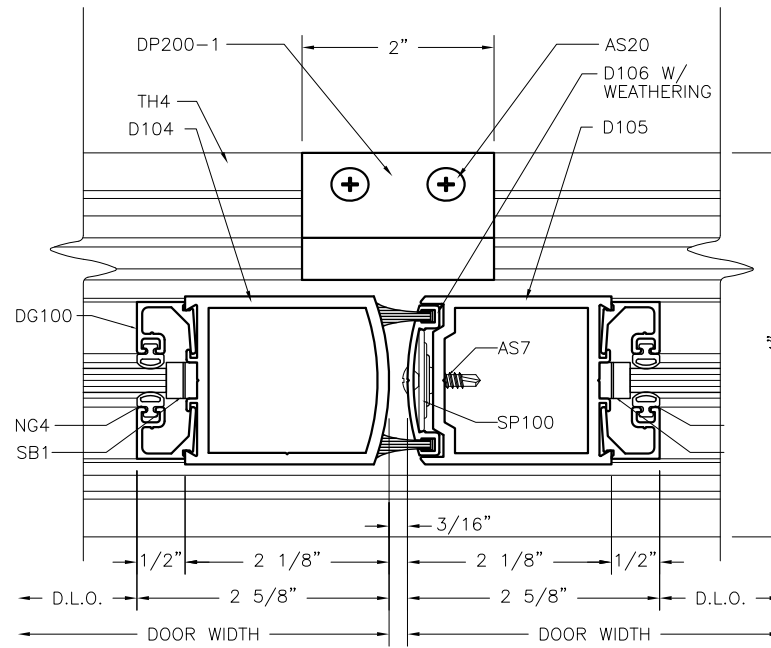
**DOOR FRAME HEADER FOR SURFACE CLOSER**  
1:2



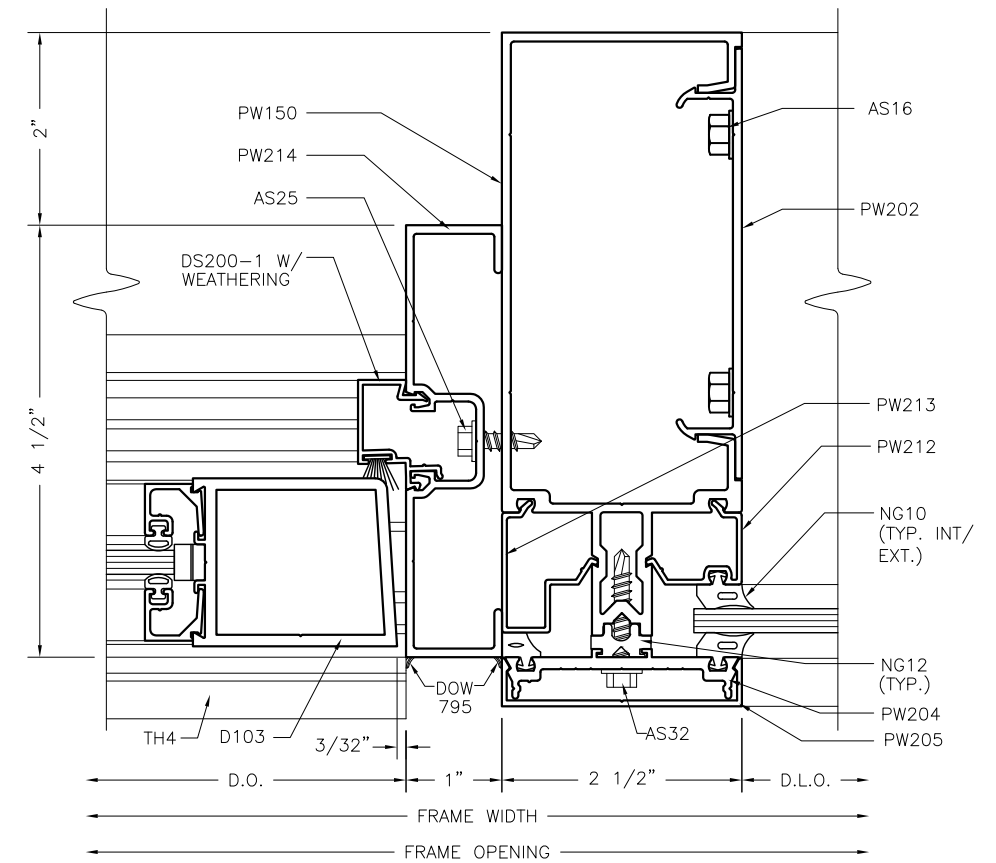
**COC TRANSOM BAR W/ OFFSET ARM**  
1:2



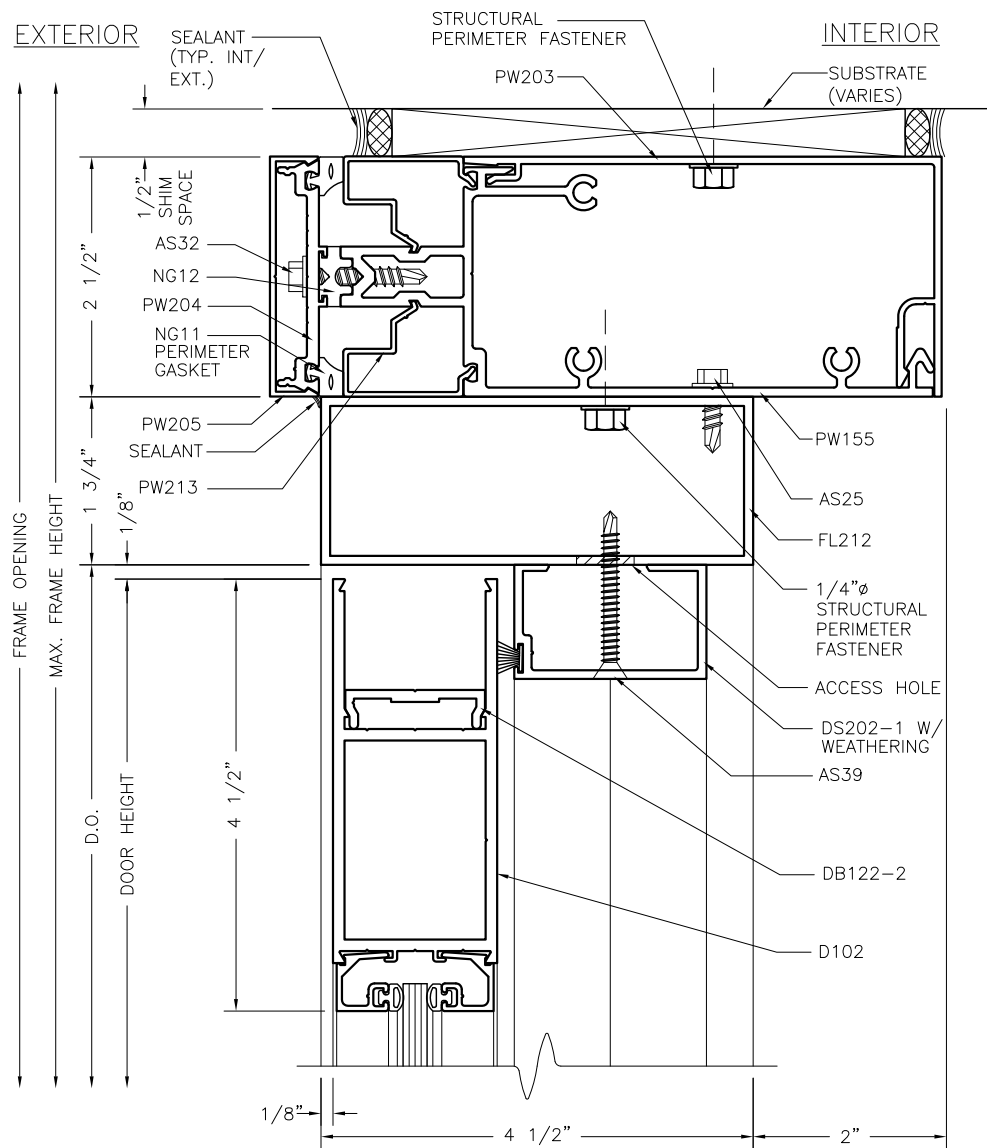
**CONTINUOUS GEAR HINGE – INTERM. DOOR JAMB**  
1:2



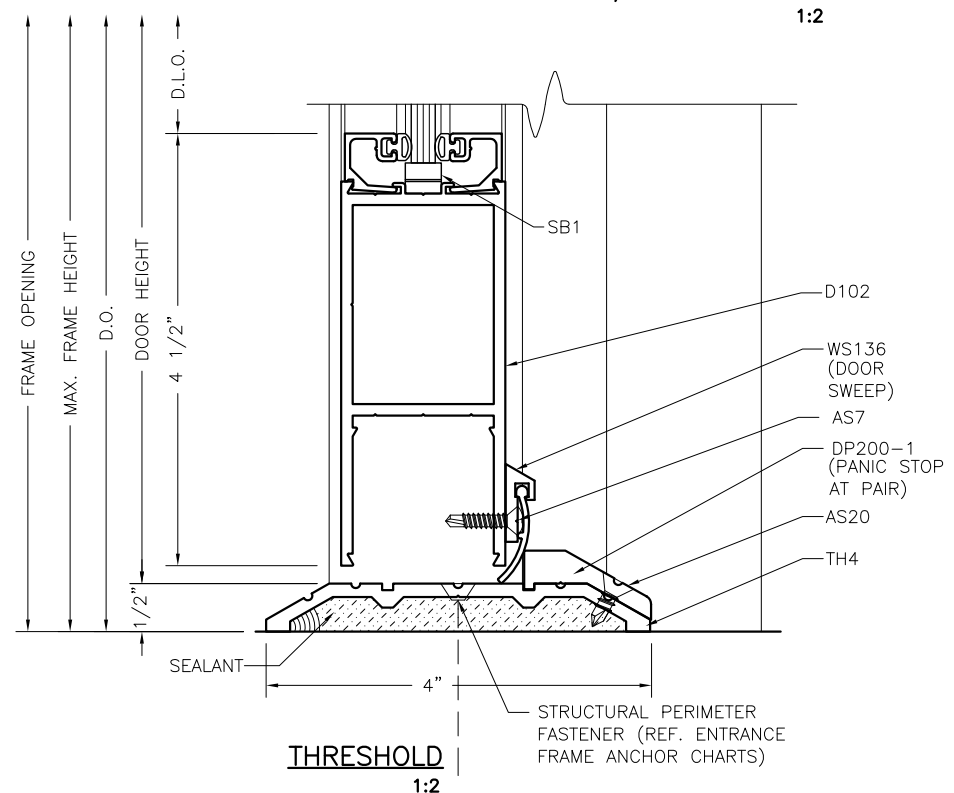
**MEETING STILES**  
1:2



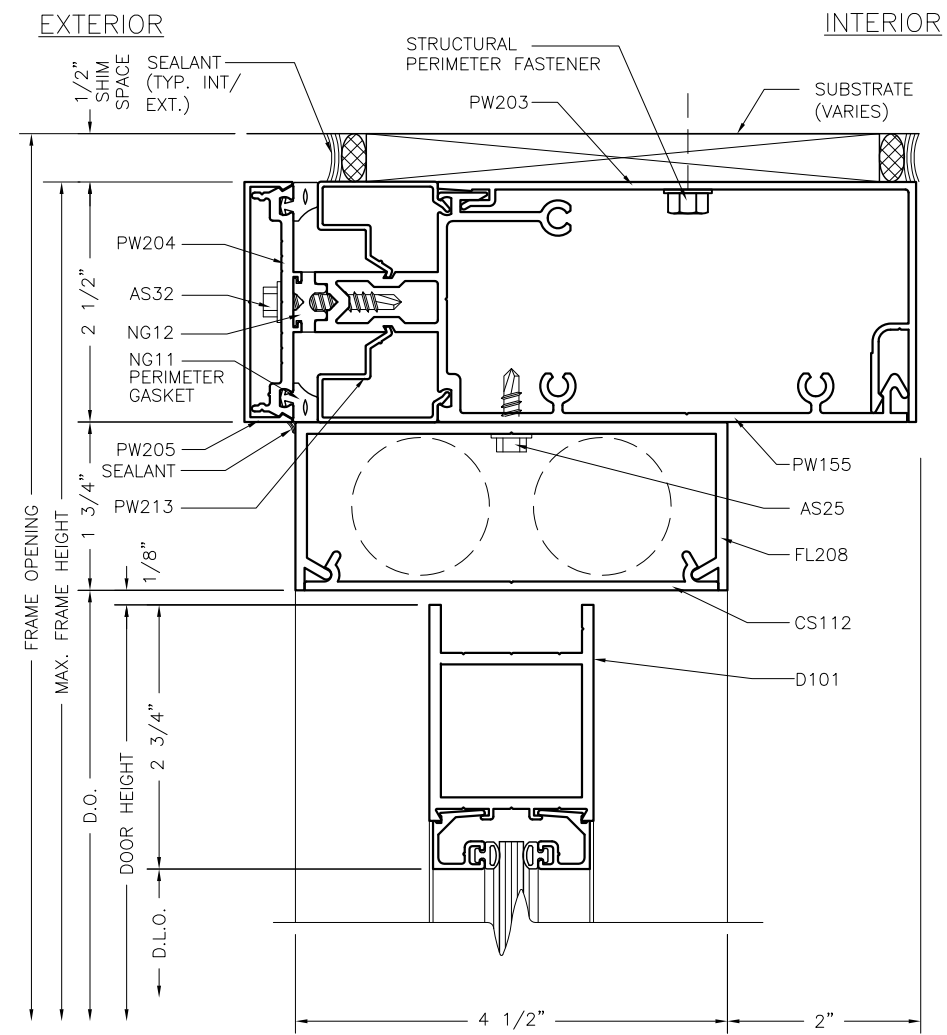
**INTERM. DOOR JAMB 1/4" GLAZING**  
1:2



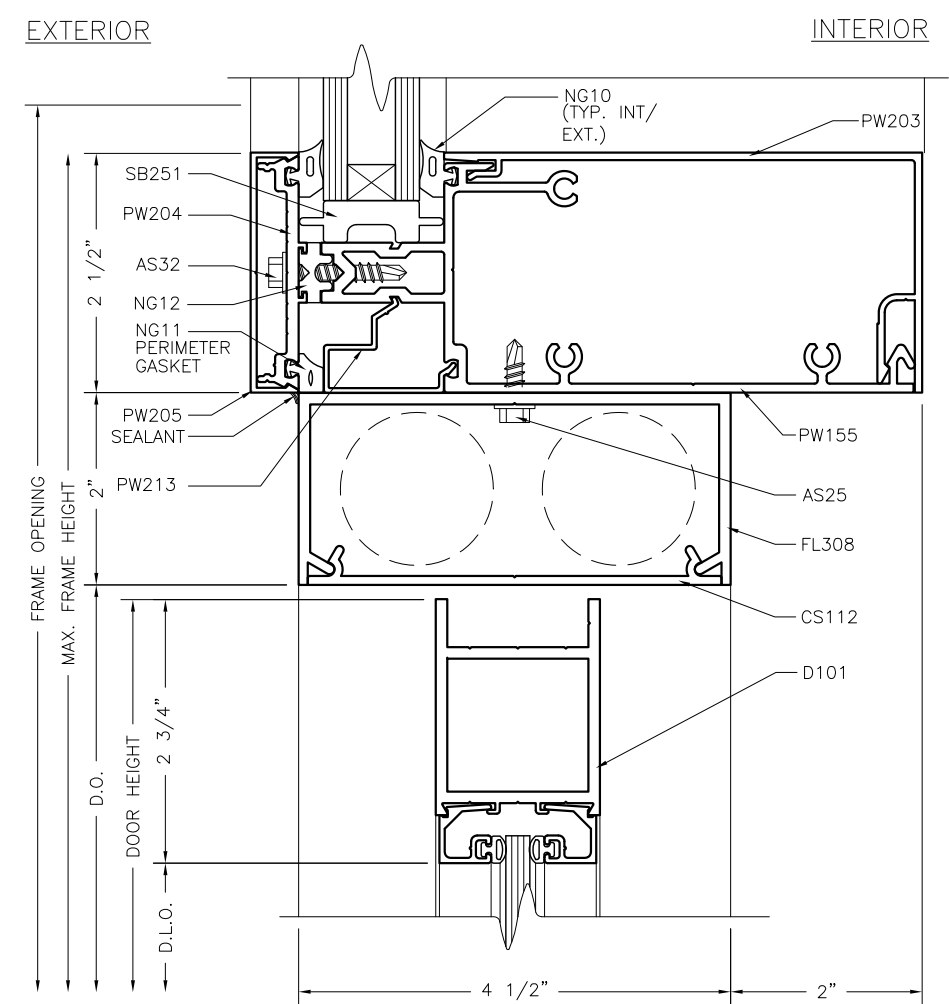
**COC HEADER W/ OFFSET ARM**  
1:2



**THRESHOLD**  
1:2



**COC HEADER W/ CENTER PIVOT**  
1:2



**COC TRANSOM BAR W/ CENTER PIVOT**  
1:2