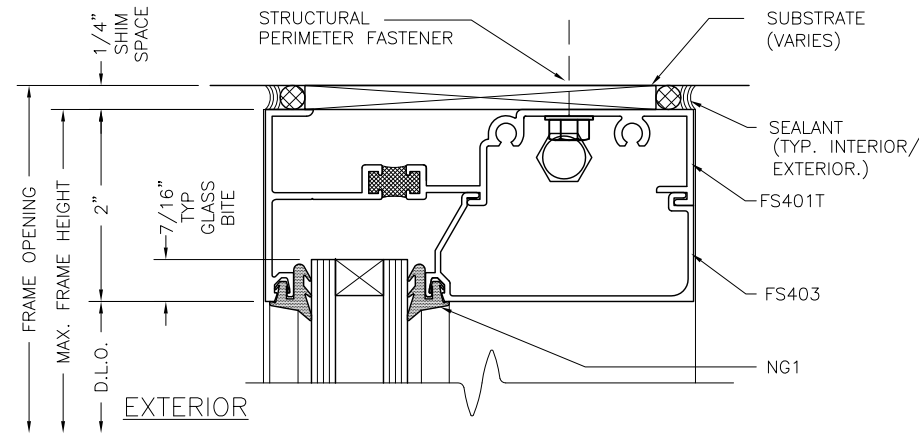
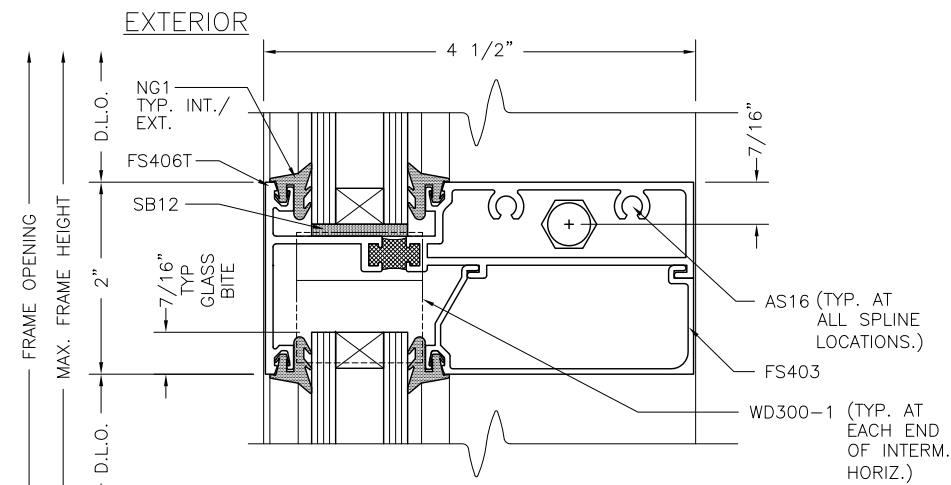


ARCHITECTURAL DETAILS: FS400T

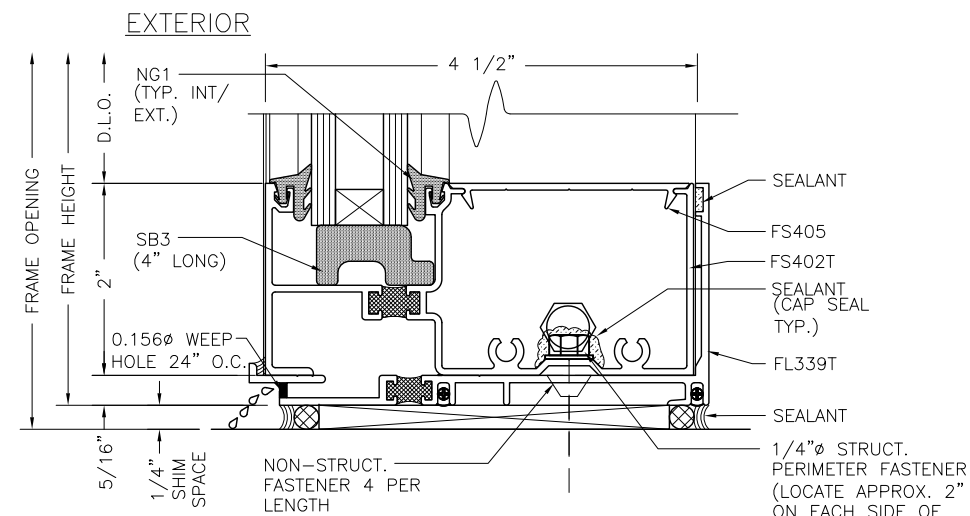
INTERIOR GLAZING



HEAD
1:2

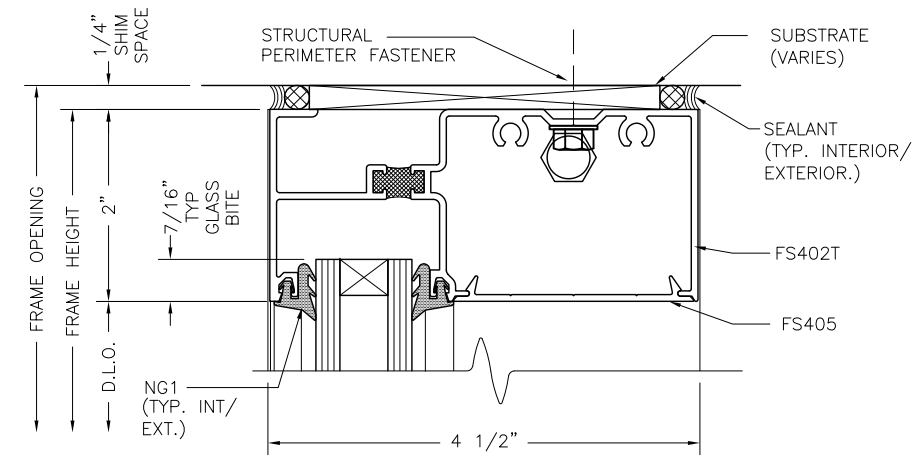


HORIZONTAL MULLION
1:2

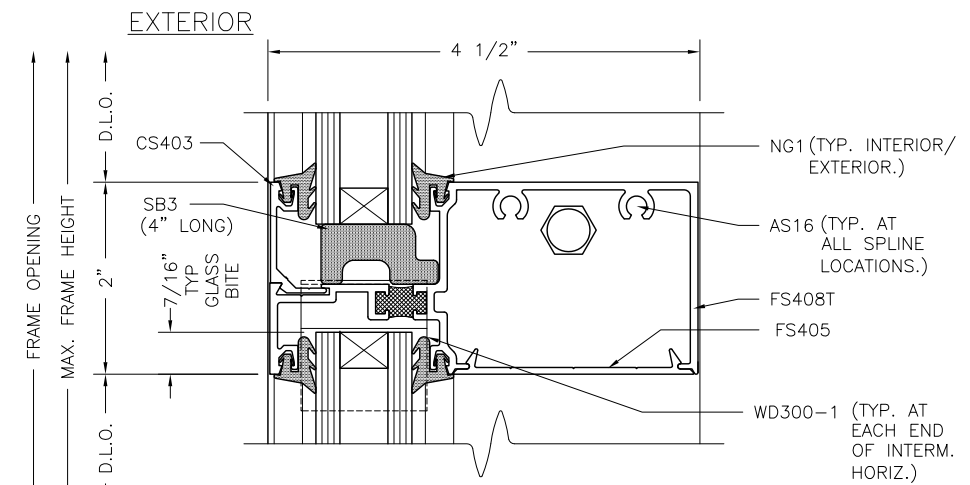


SILL
1:2

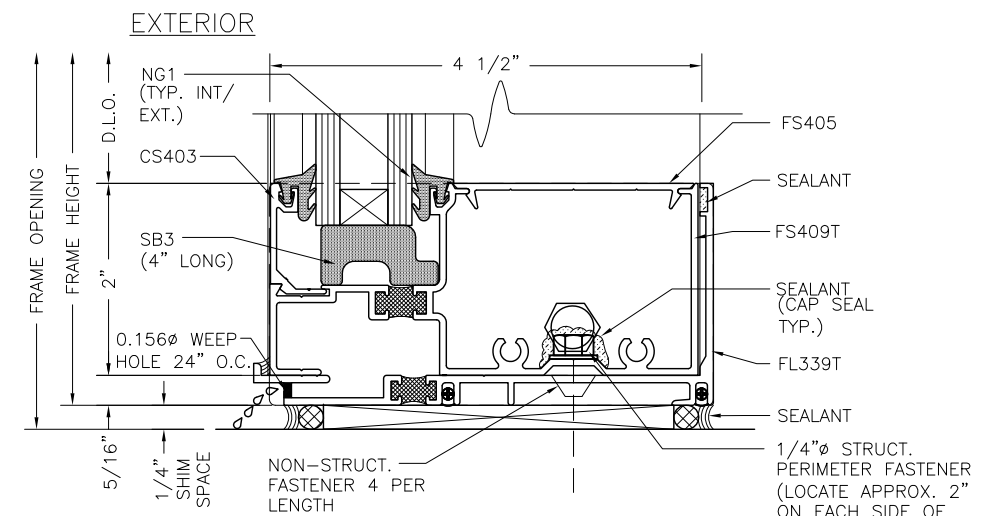
EXTERIOR GLAZING



HEAD
1:2

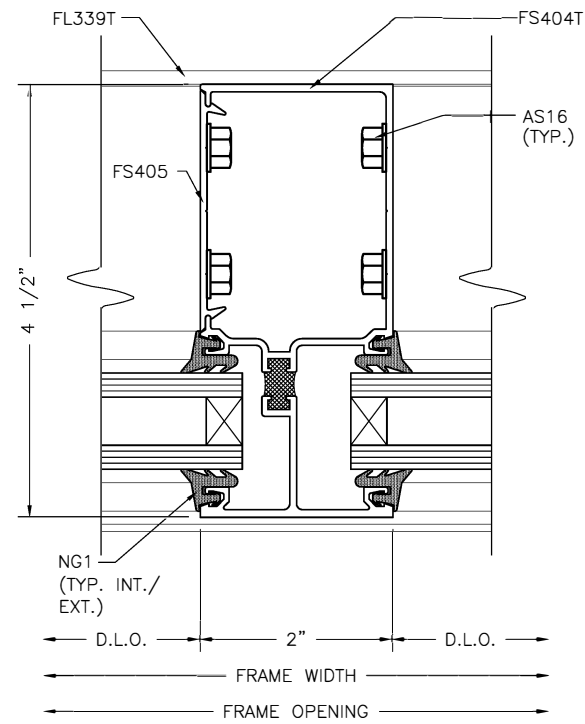


HORIZONTAL MULLION
1:2

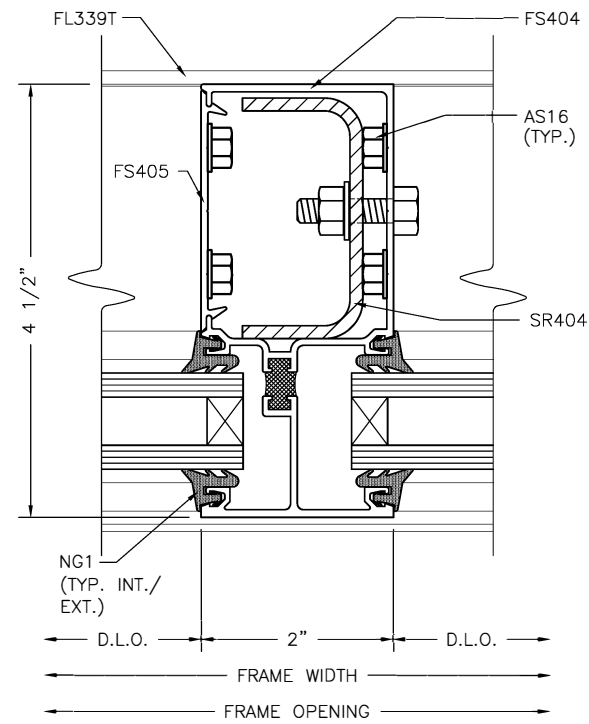


SILL
1:2

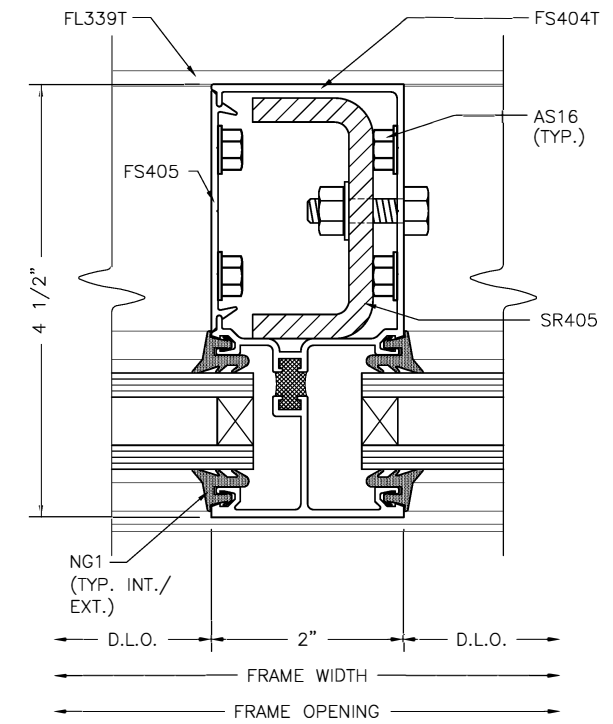
ARCHITECTURAL DETAILS: FS400T



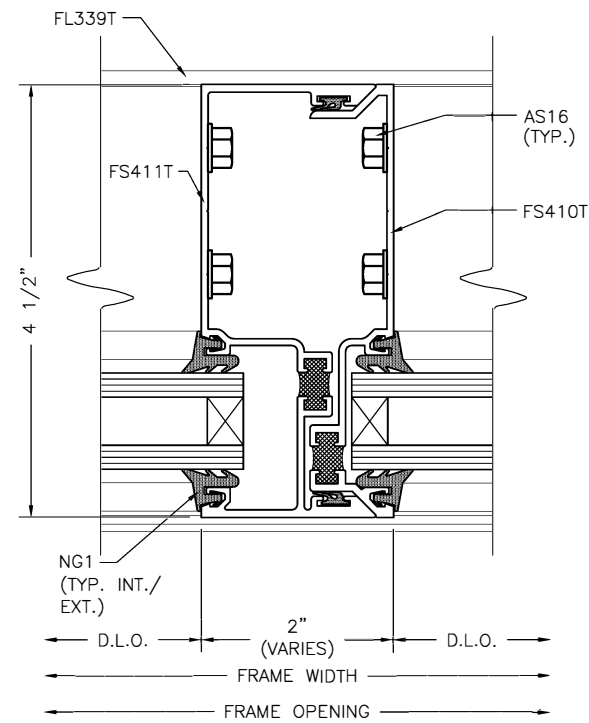
VERTICAL MULLION
1:2



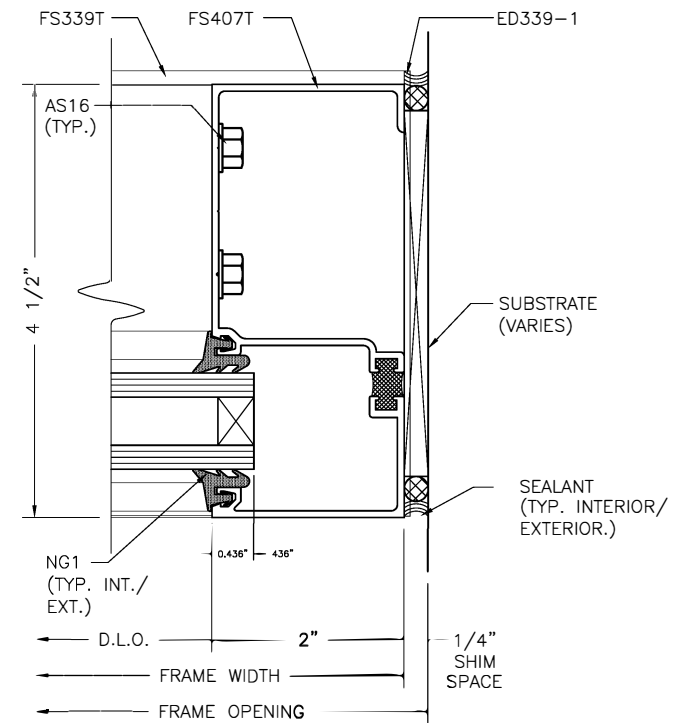
VERTICAL MULLION WITH STEEL
1:2



VERTICAL MULLION WITH HEAVY STEEL
1:2

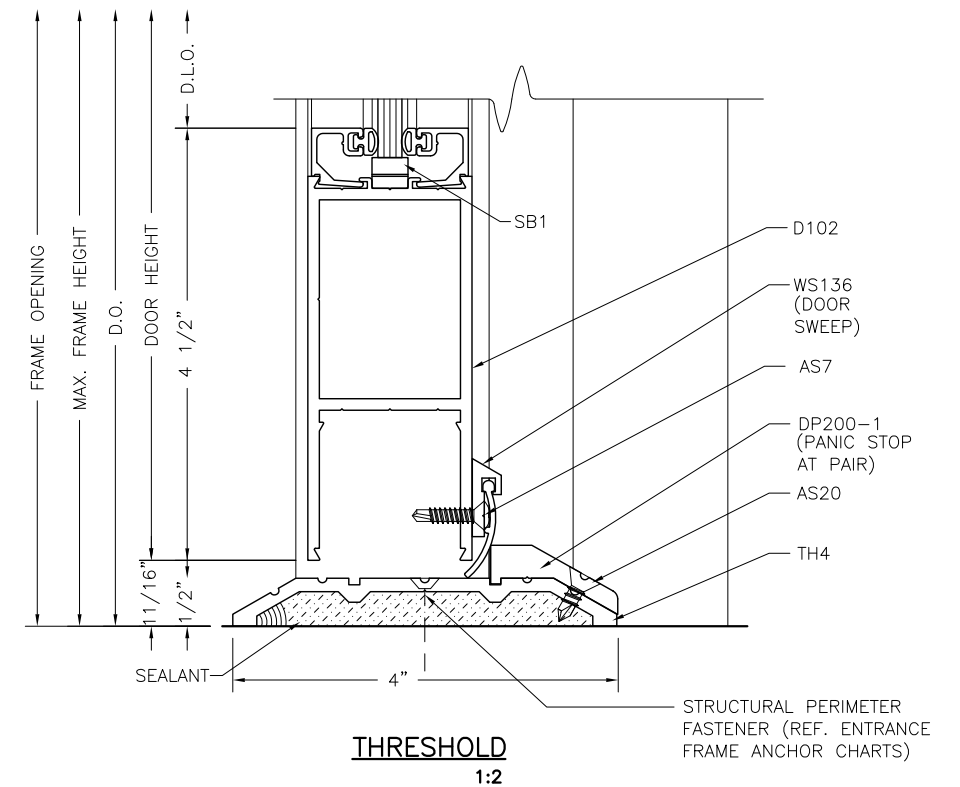
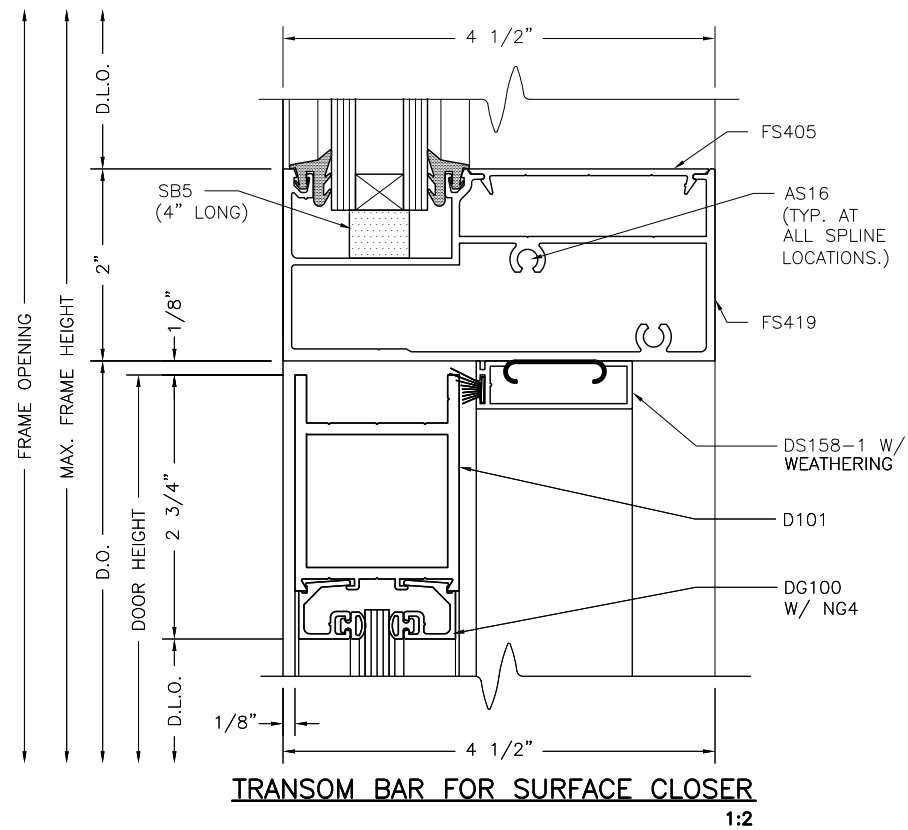
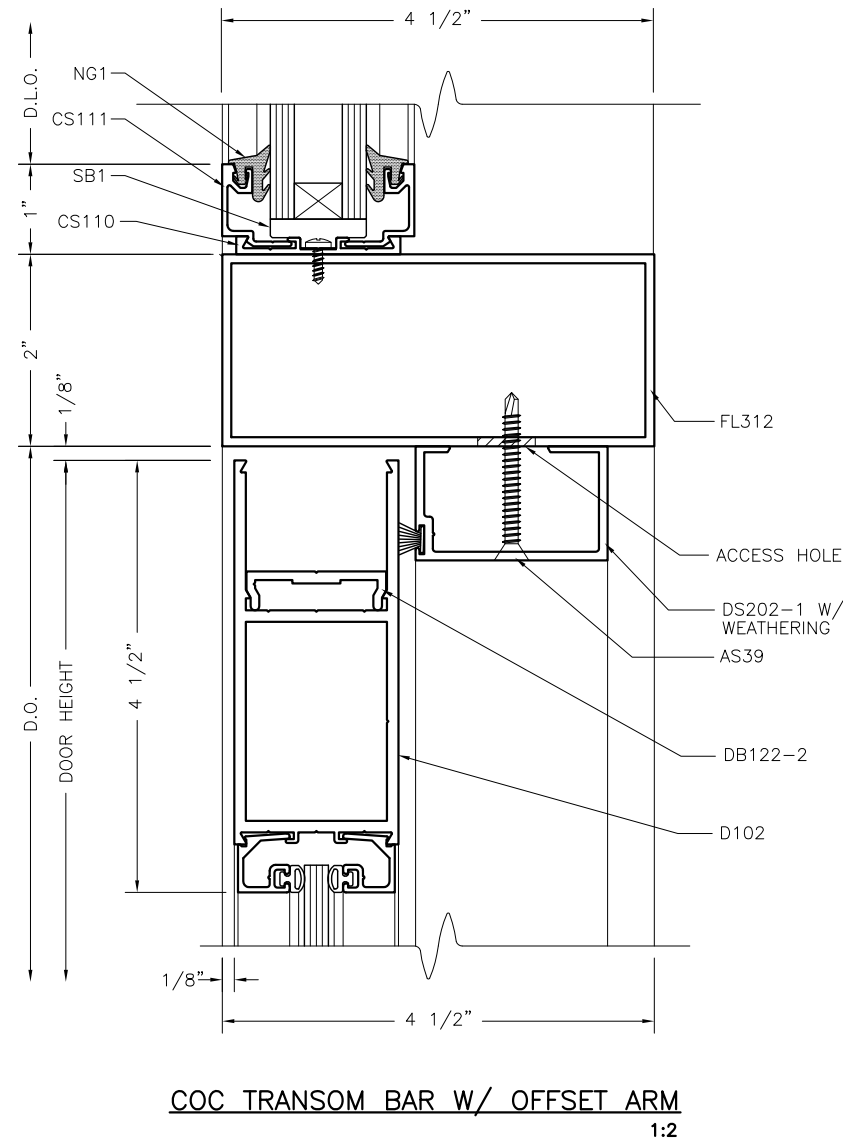
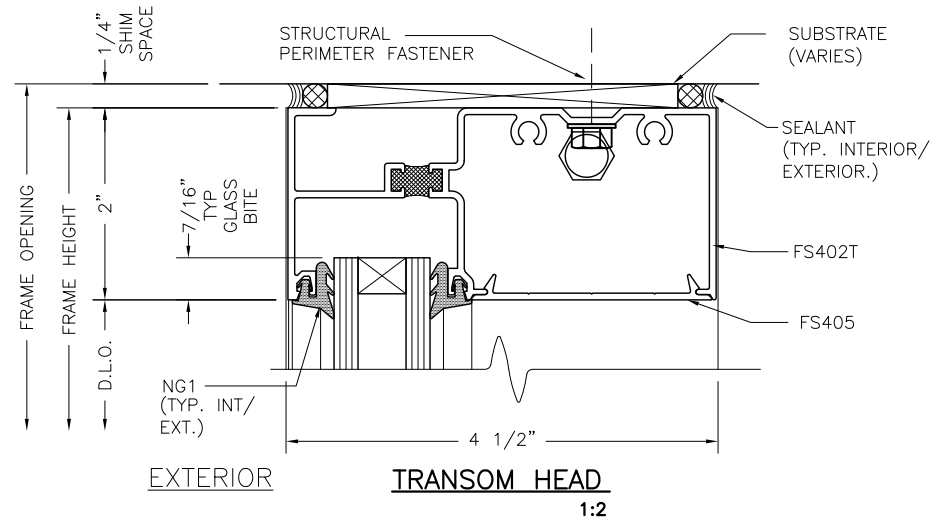


EXPANSION MULLION
1:2



JAMB
1:2

ARCHITECTURAL DETAILS: FS400T



ARCHITECTURAL DETAILS: FS400T

