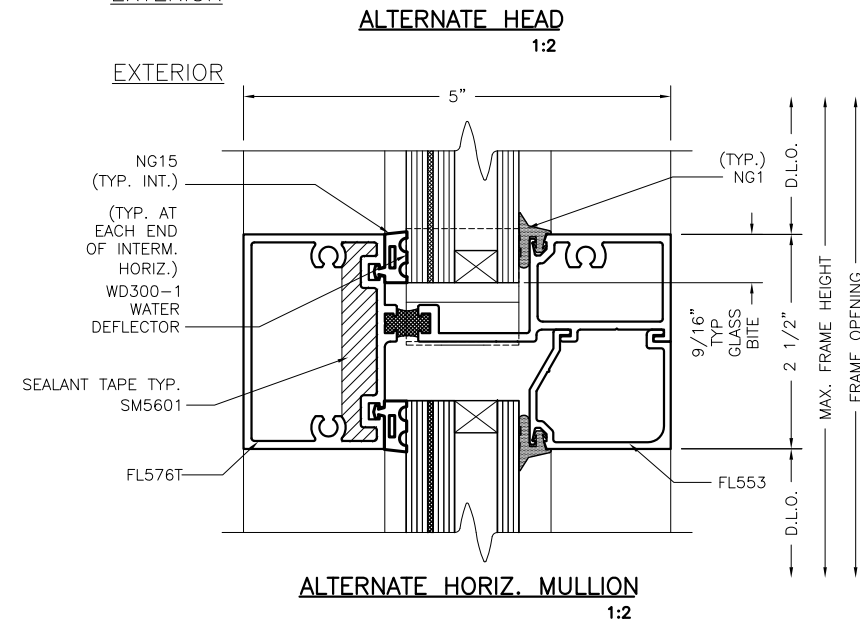
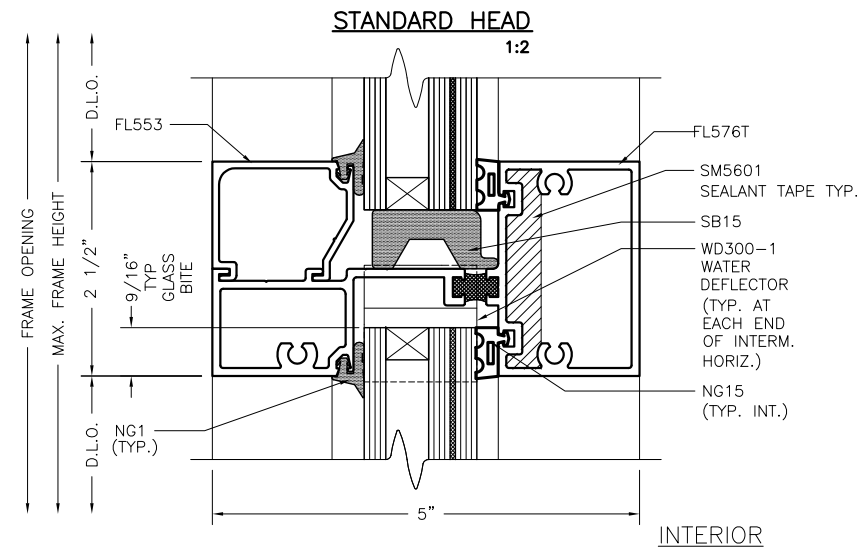
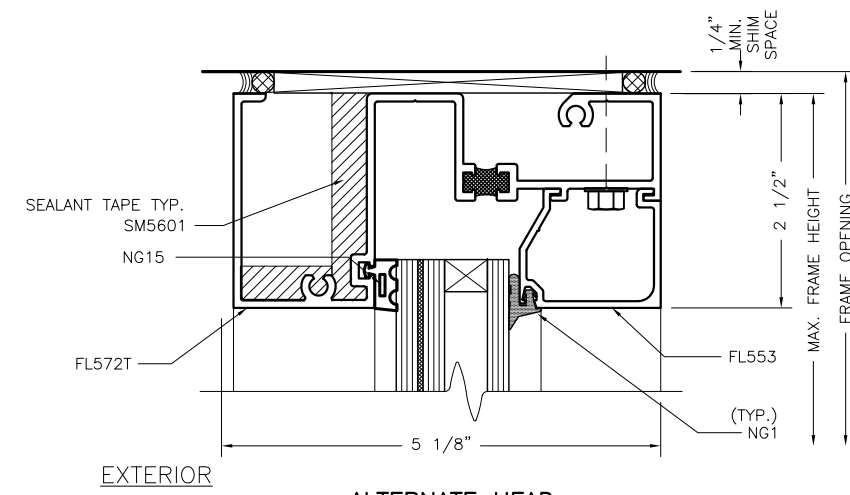
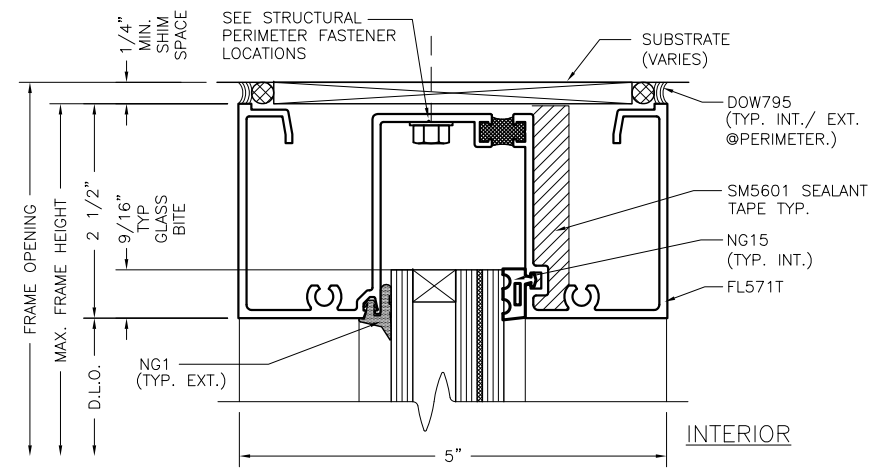
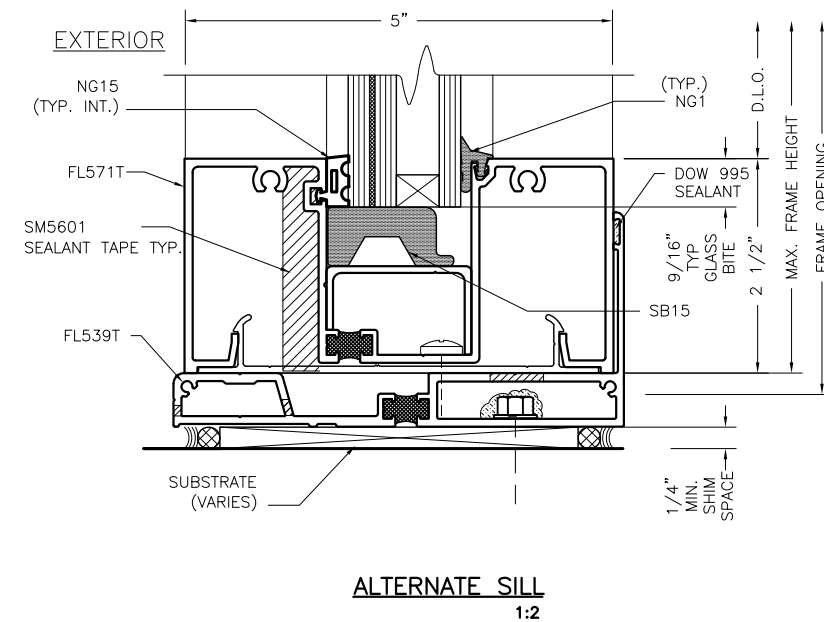
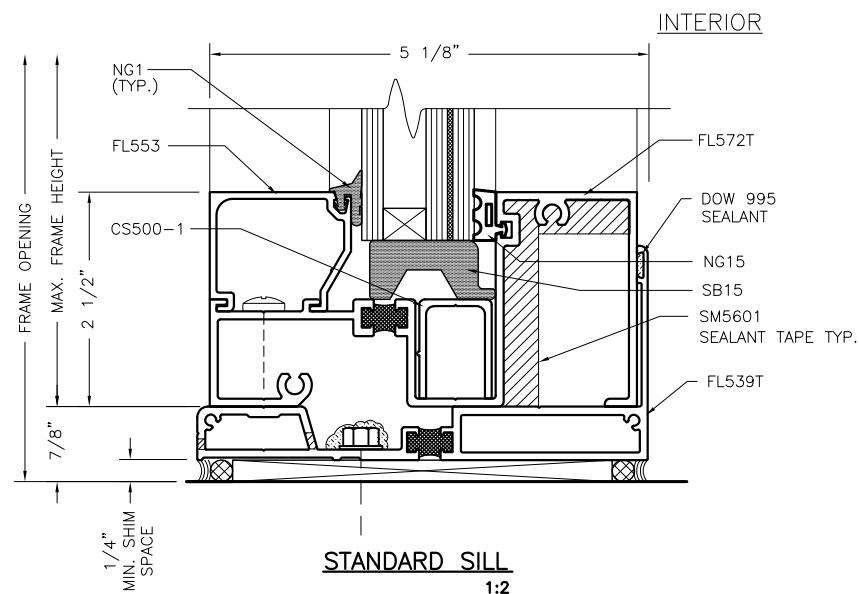


ARCHITECTURAL DETAILS: FL550T (DRY GLAZE)

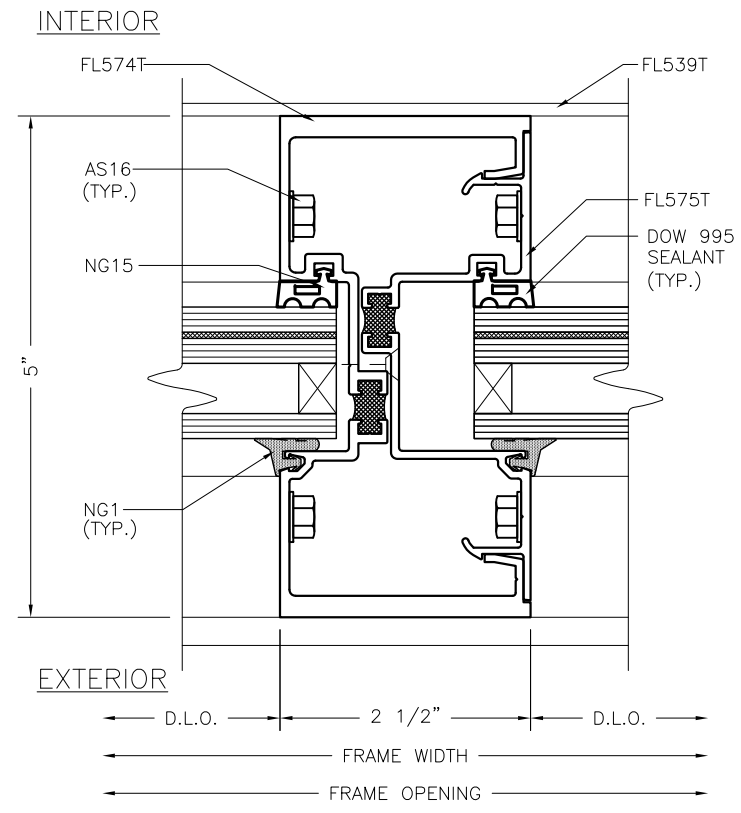


STANDARD HORIZ. MULLION 1:2

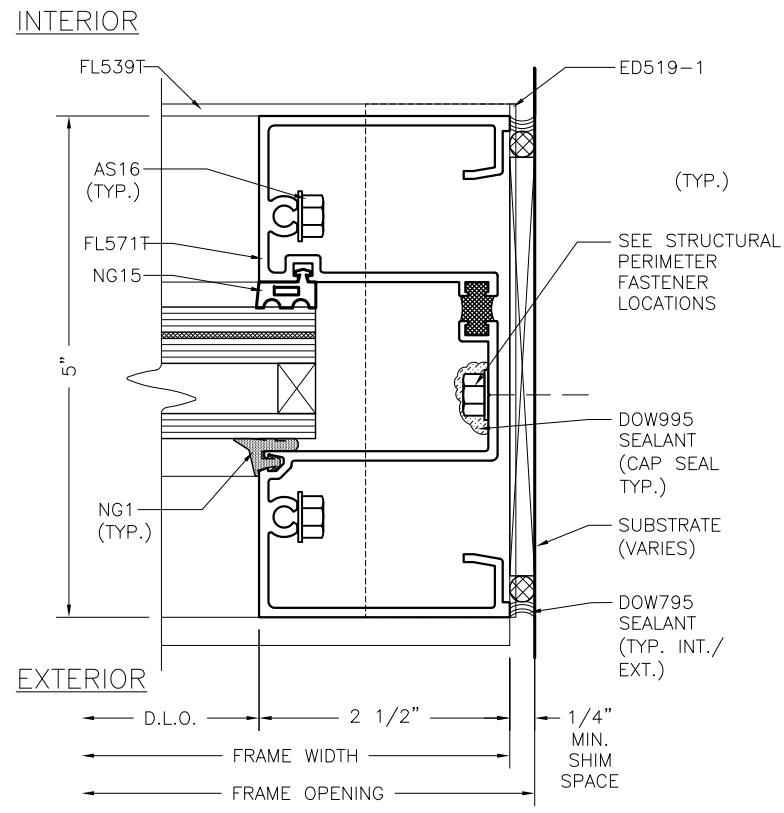
ALTERNATE HORIZ. MULLION 1:2



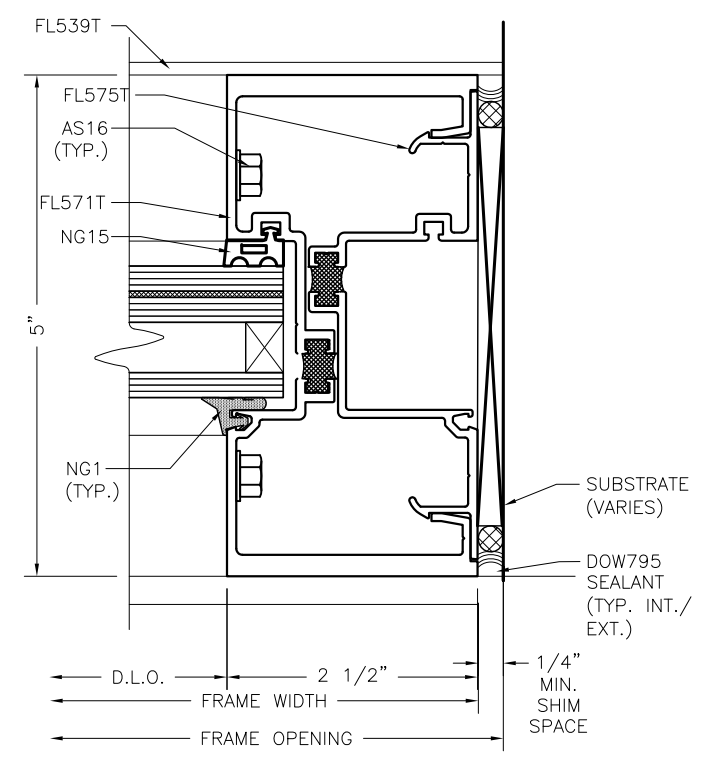
NOTE:
 REFERENCE FL550 INSTALLATION INSTRUCTIONS FOR STRUCTURAL PERIMETER FASTENER TYPES AND LOCATIONS FOR CONCRETE, STEEL, OR WOOD SUBSTRATES.



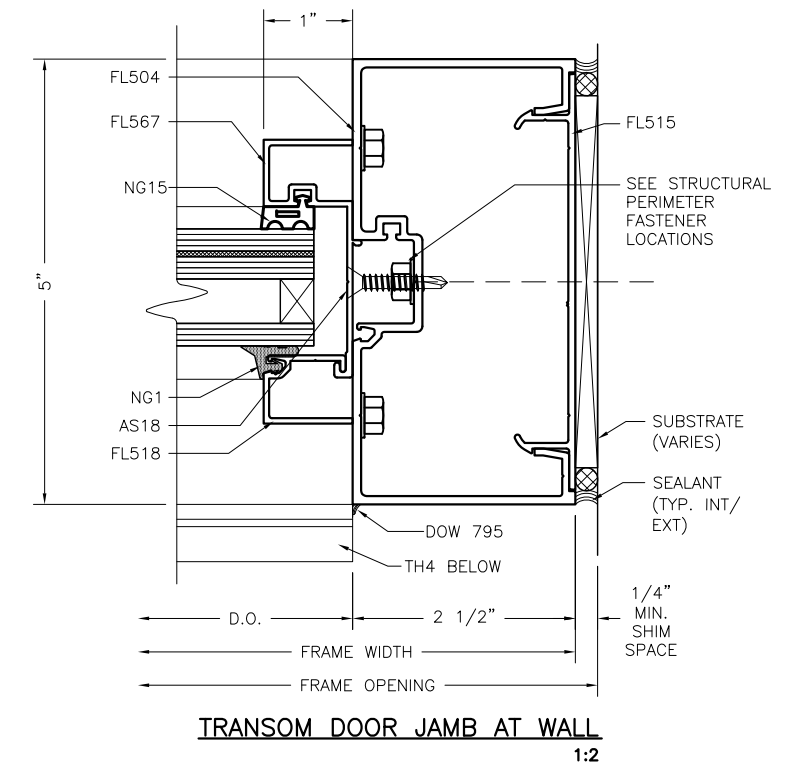
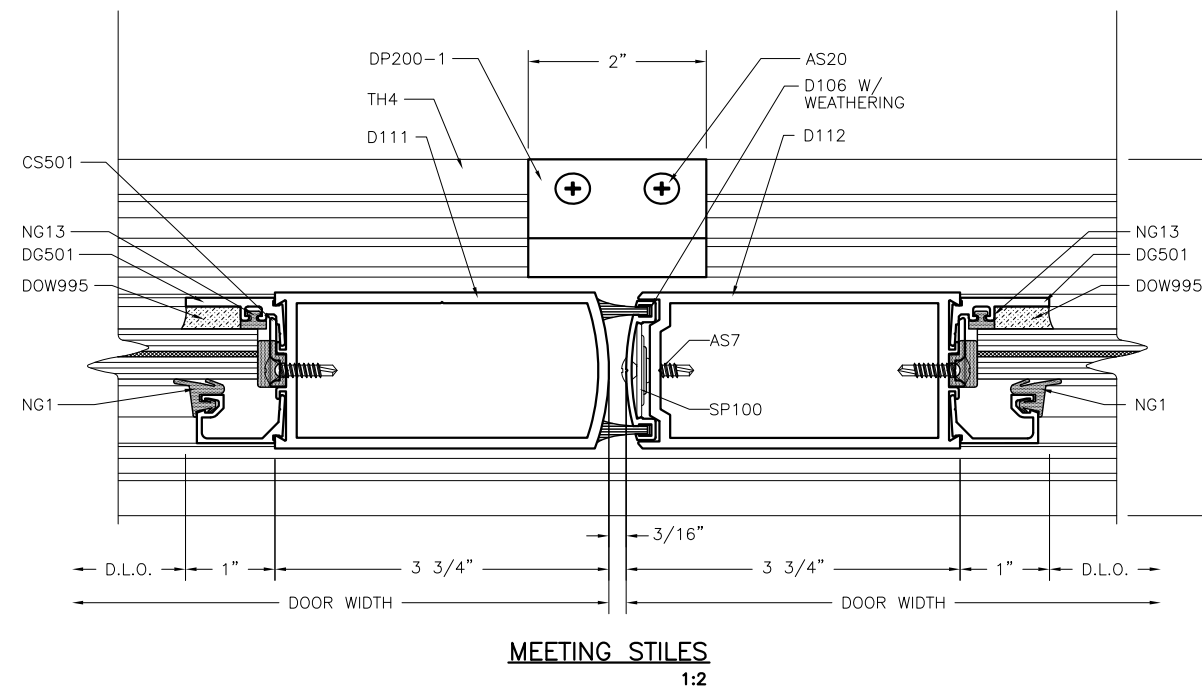
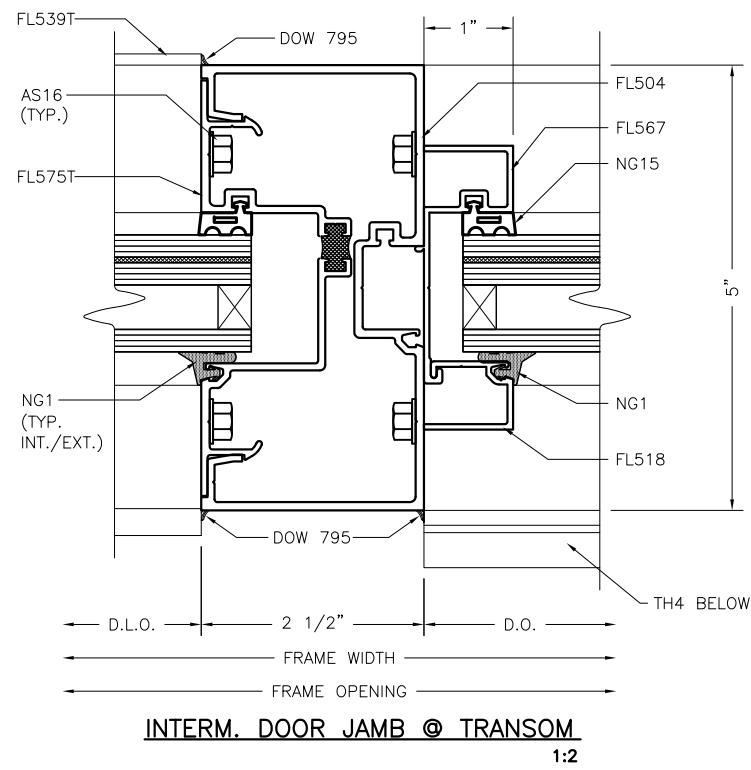
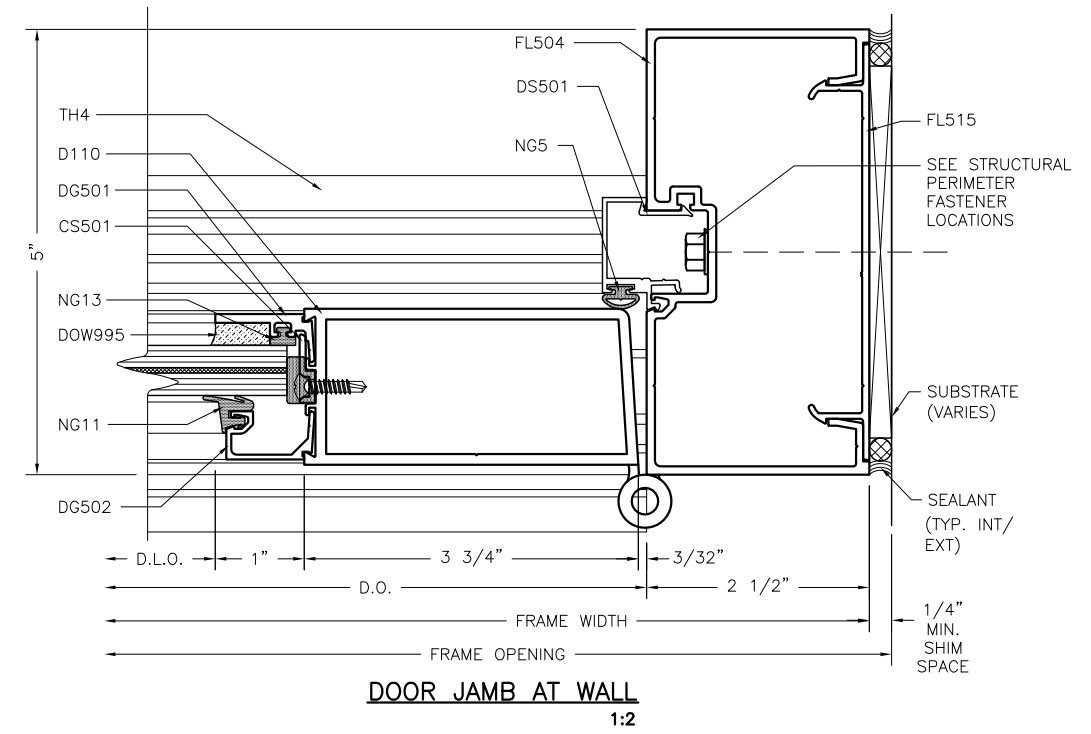
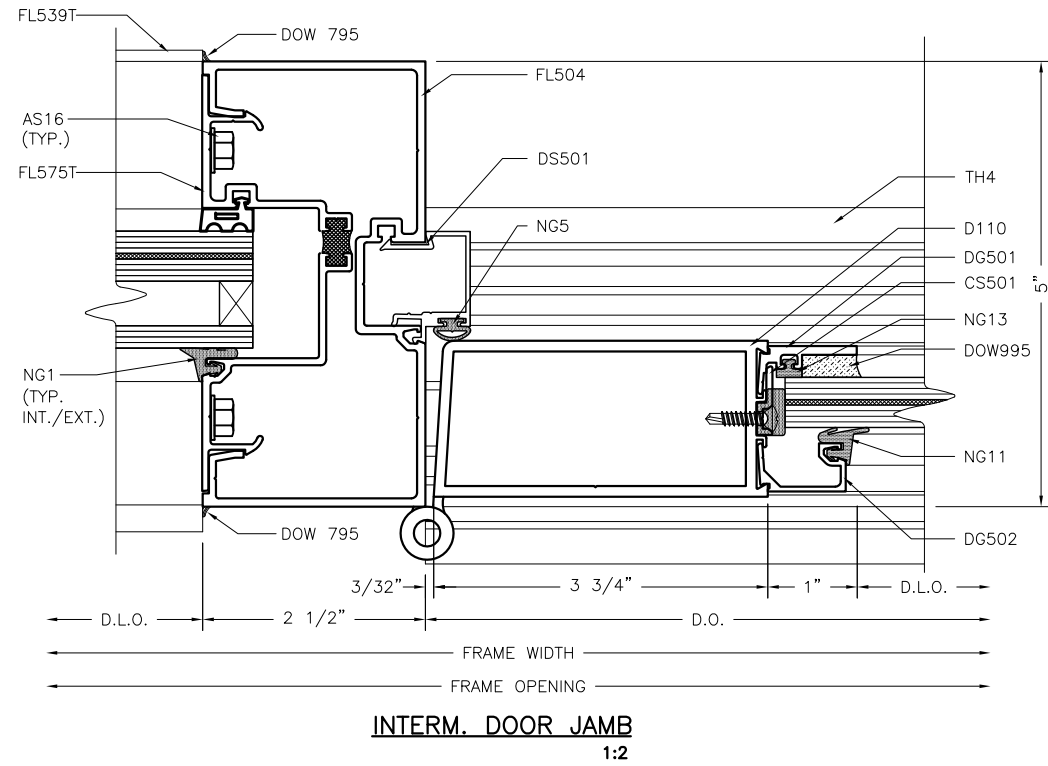
STANDARD VERT. MULLION
1:2

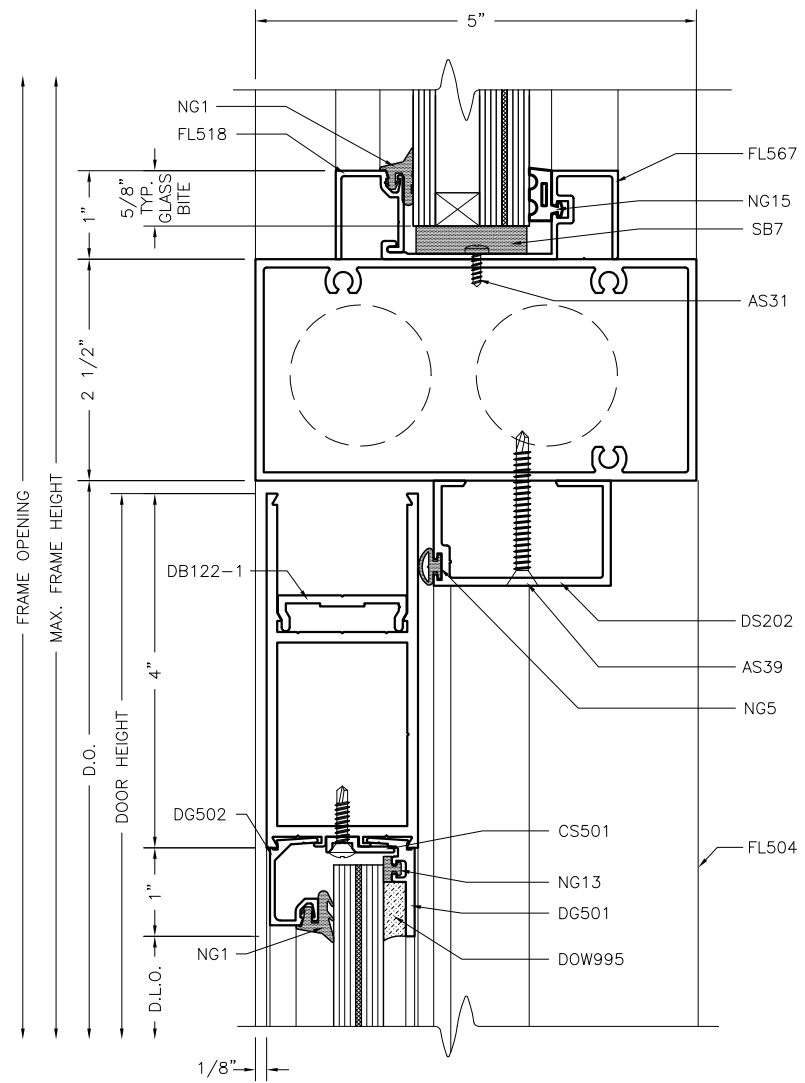


WALL JAMB
1:2

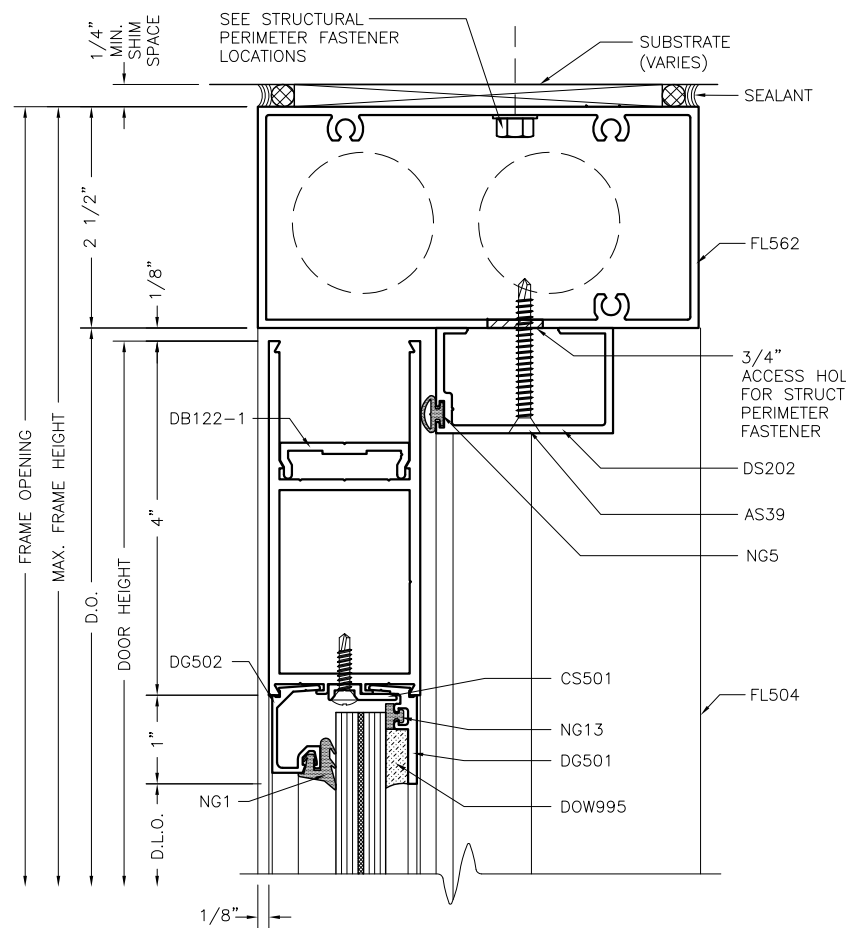


WALL JAMB
1:2

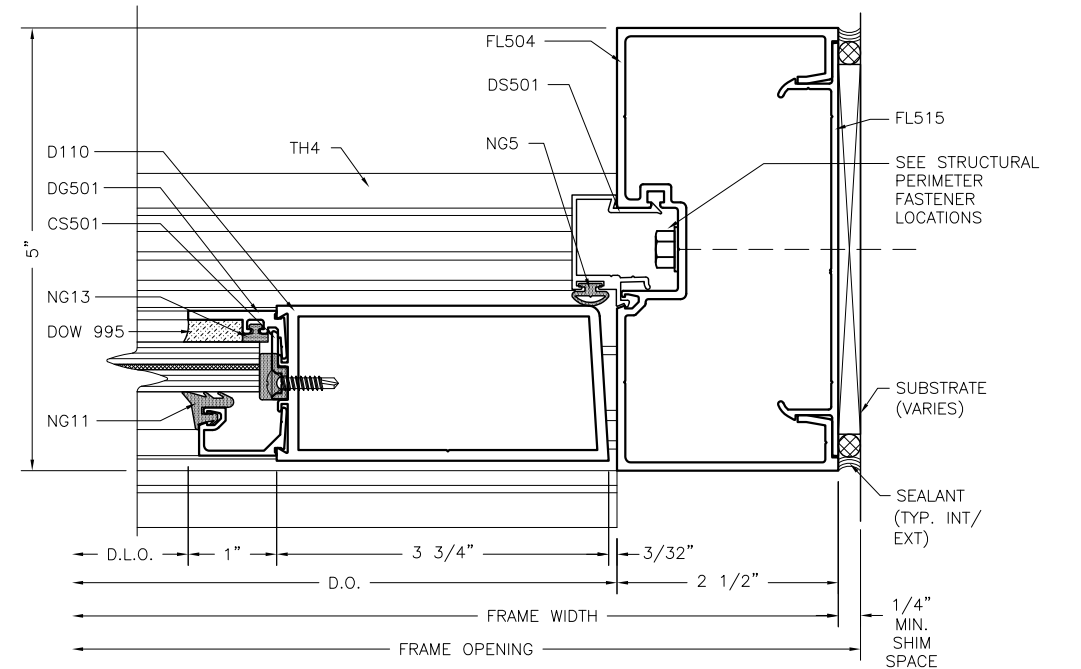




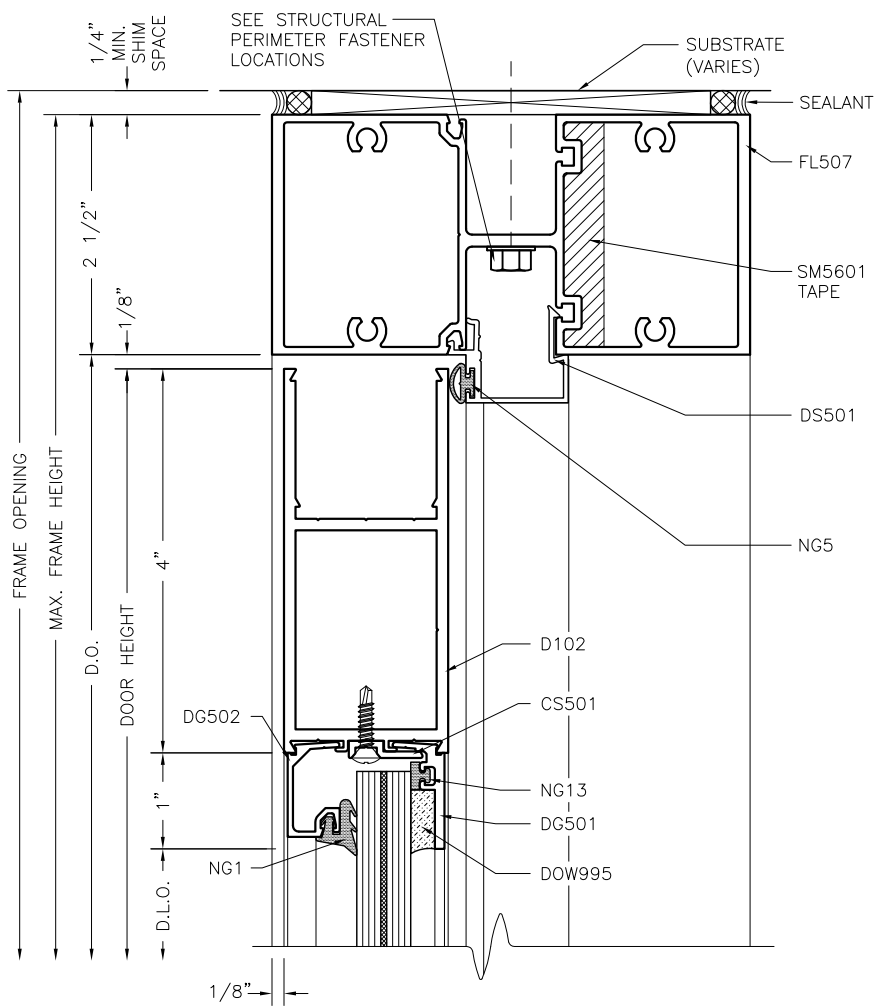
C.O.C. DOOR FRAME HEADER W/ OFFSET ARM
1:2



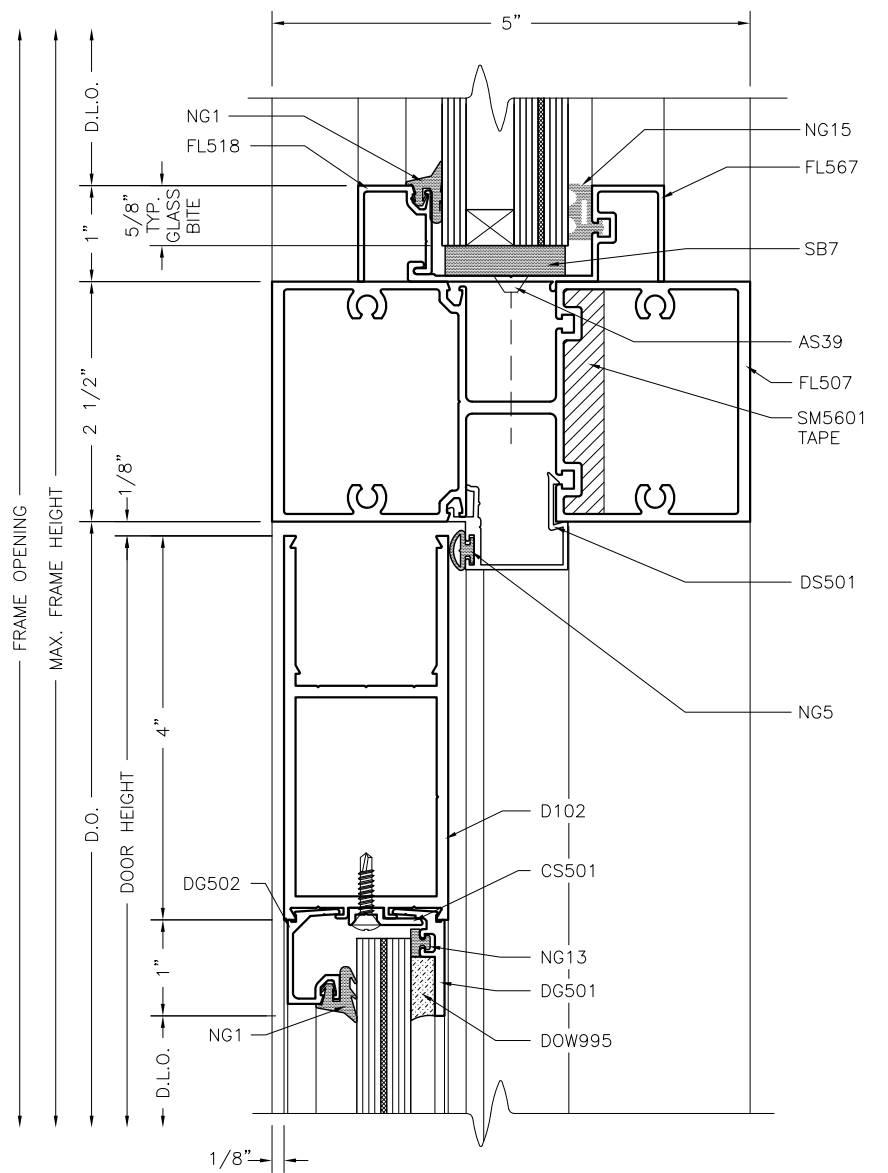
C.O.C. TRANSOM BAR W/ OFFSET ARM
1:2



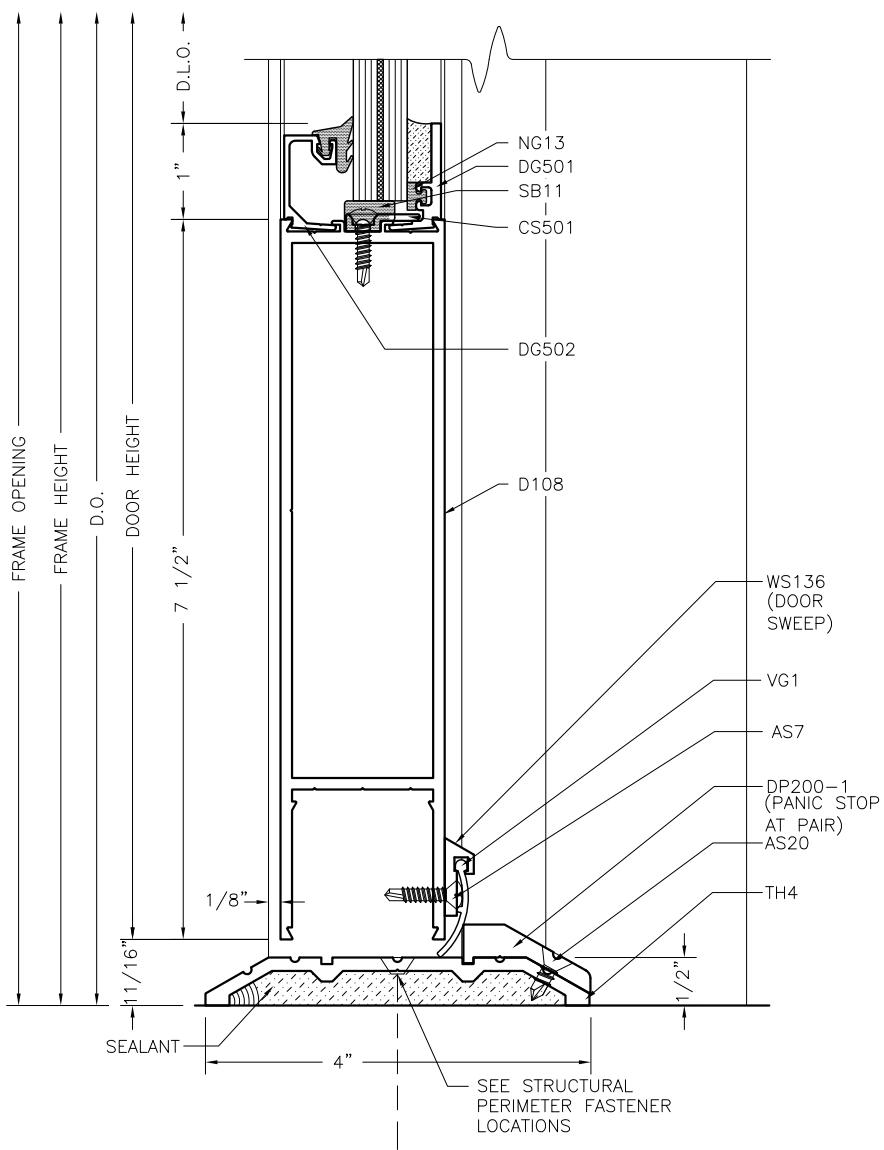
LOCK STILE JAMB AT WALL
1:2
(FOR SINGLE DOOR)



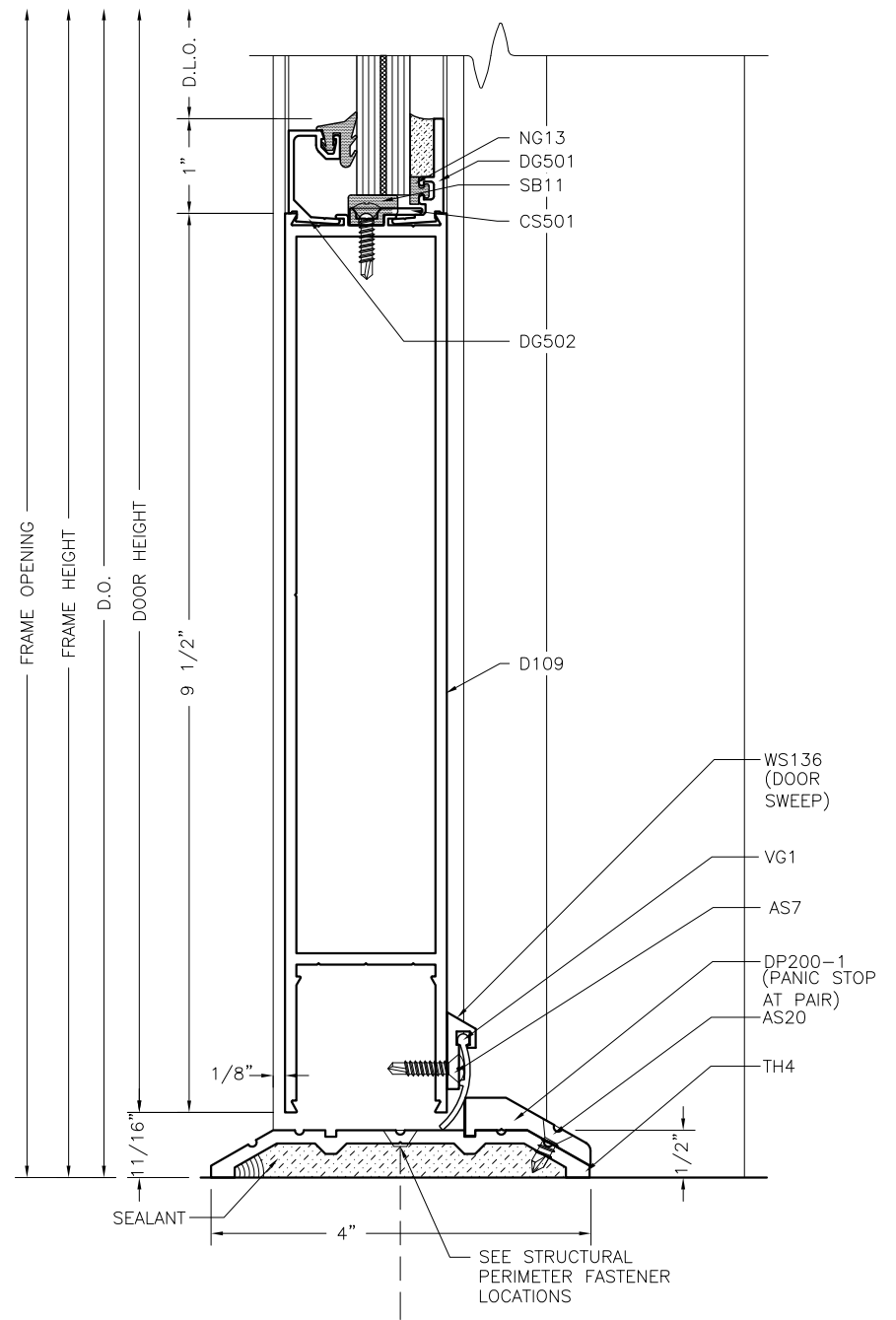
DOOR FRAME HEADER-BUTT HUNG-SURFACE CLOSER
1:2



TRANSOM BAR-BUTT HUNG-SURFACE CLOSER
1:2



THRESHOLD
1:2



THRESHOLD
1:2