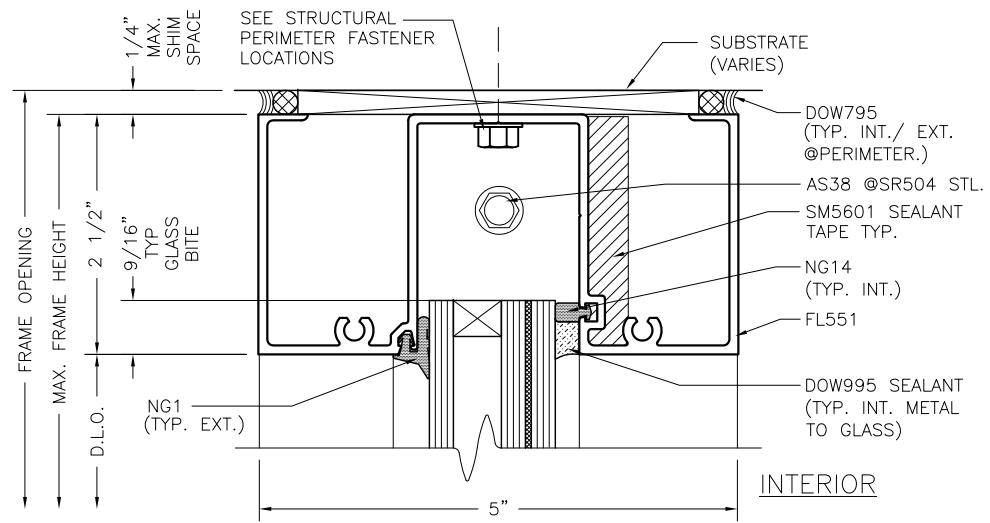
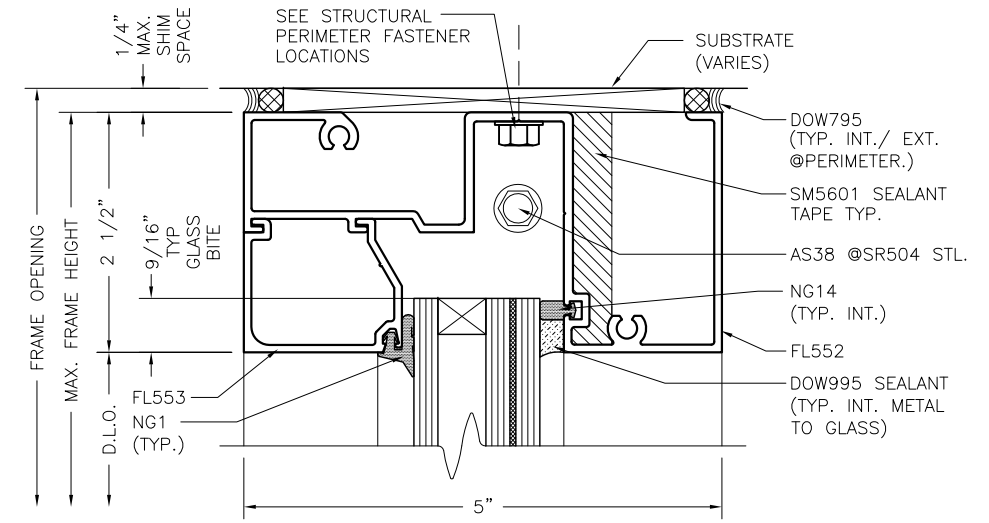


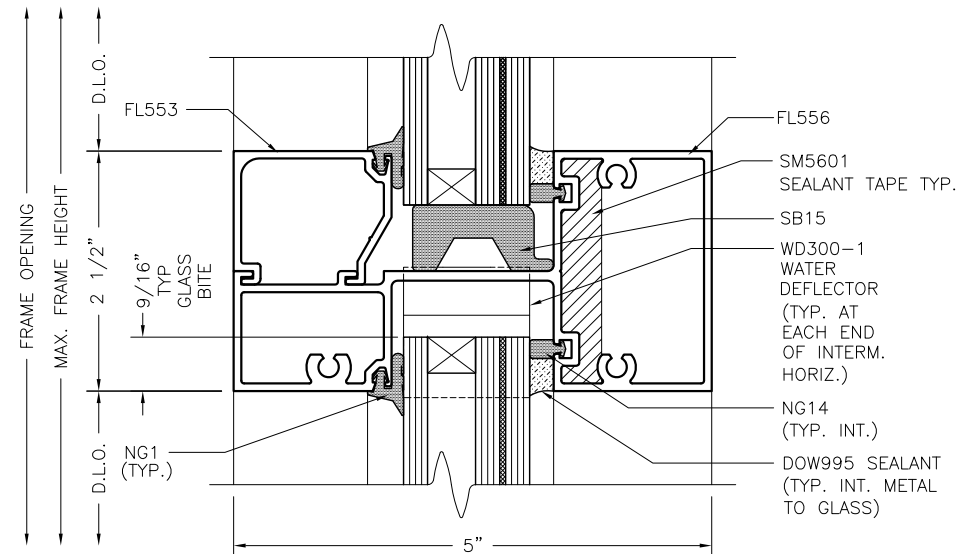
ARCHITECTURAL DETAILS: FL550 (WET GLAZE)



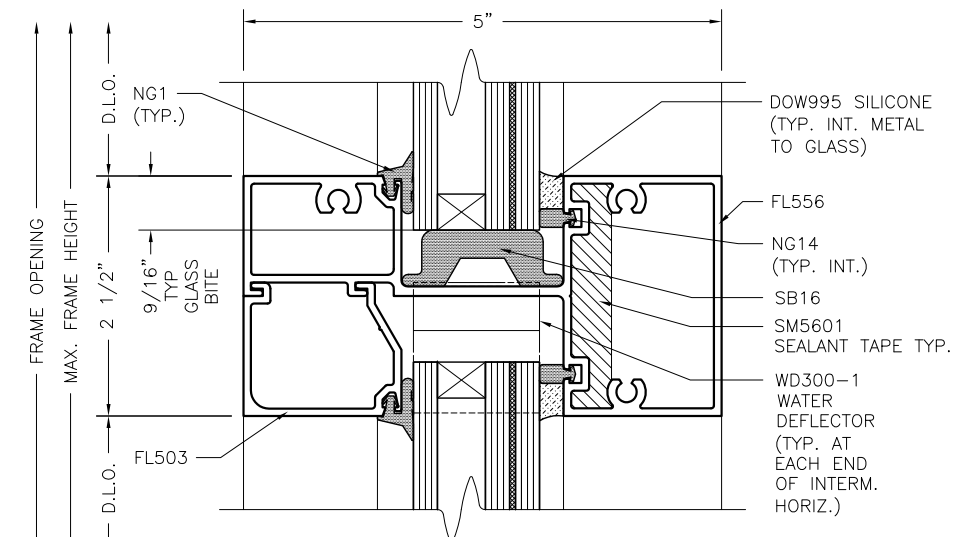
STANDARD HEAD
1:2



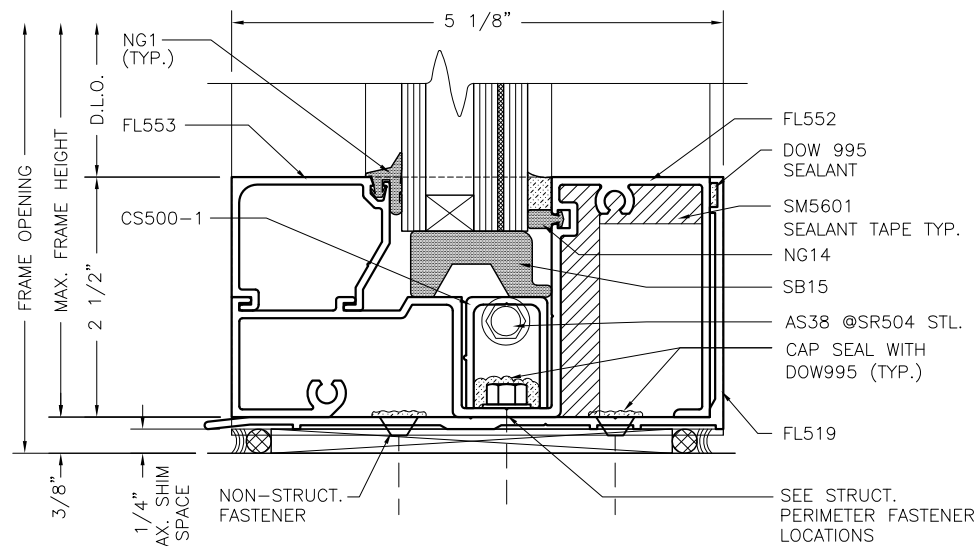
ALTERNATE HEAD
1:2



STANDARD HORIZ. MULLION
1:2

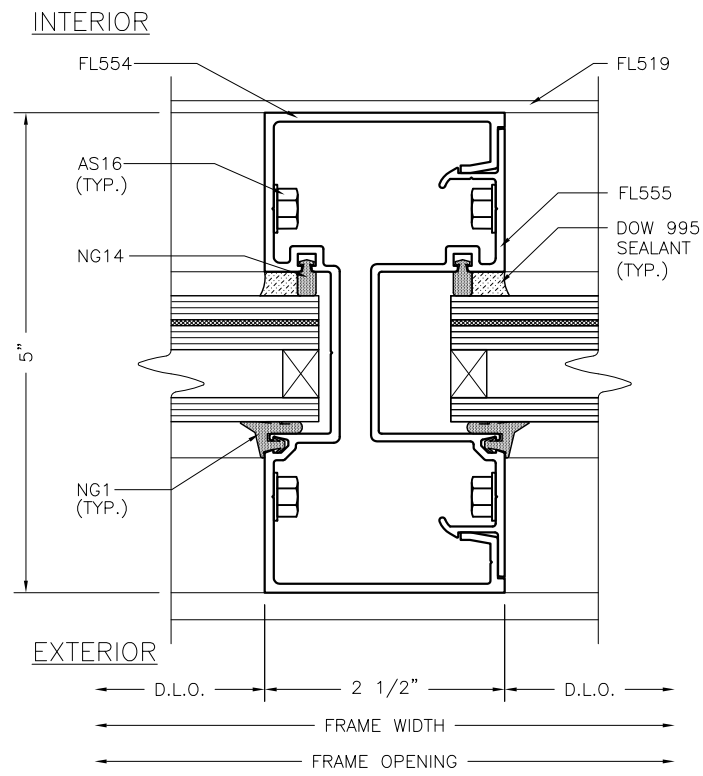


INVERTED HORIZ. MULLION
1:2

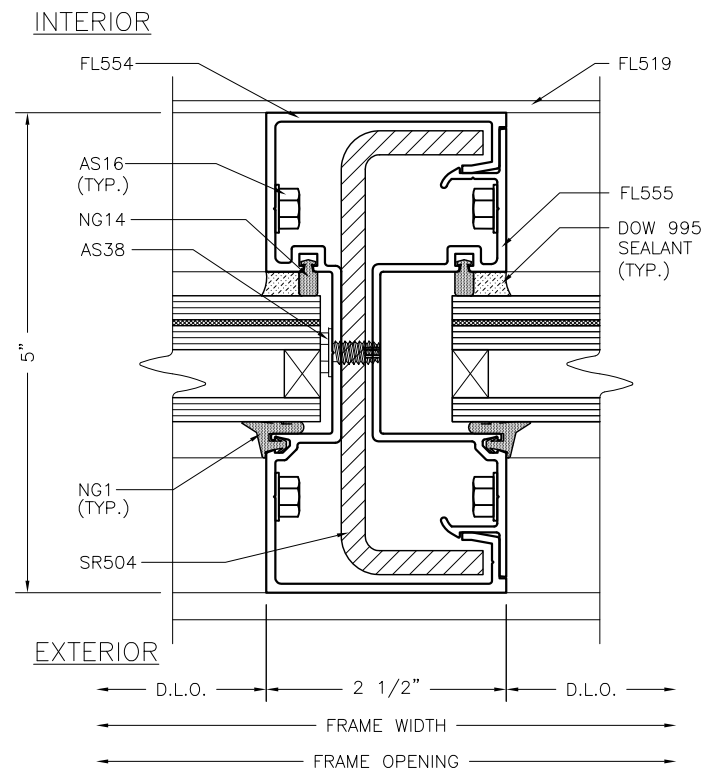


STANDARD SILL
1:2

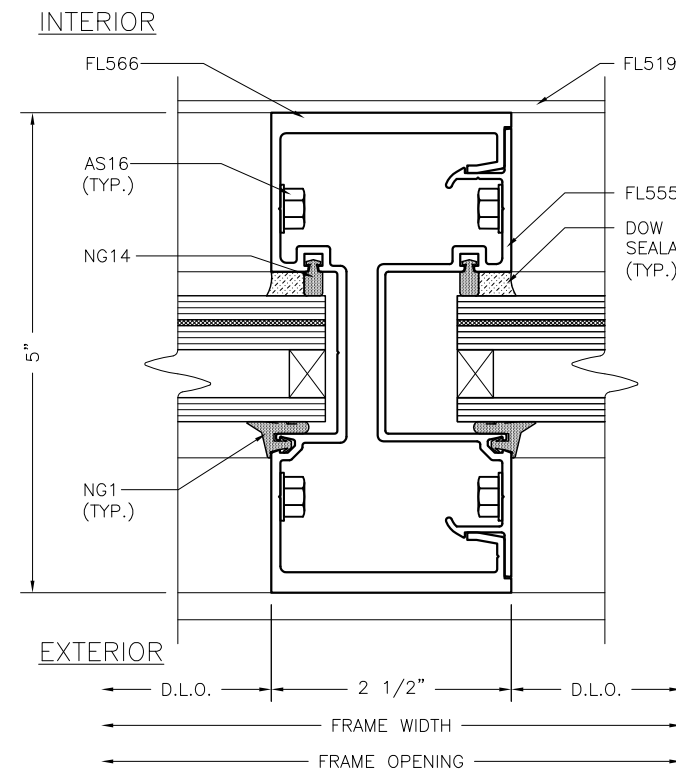
NOTE:
REFERENCE FL550 INSTALLATION INSTRUCTIONS FOR STRUCTURAL PERIMETER FASTENER TYPES AND LOCATIONS FOR CONCRETE, STEEL, OR WOOD SUBSTRATES.



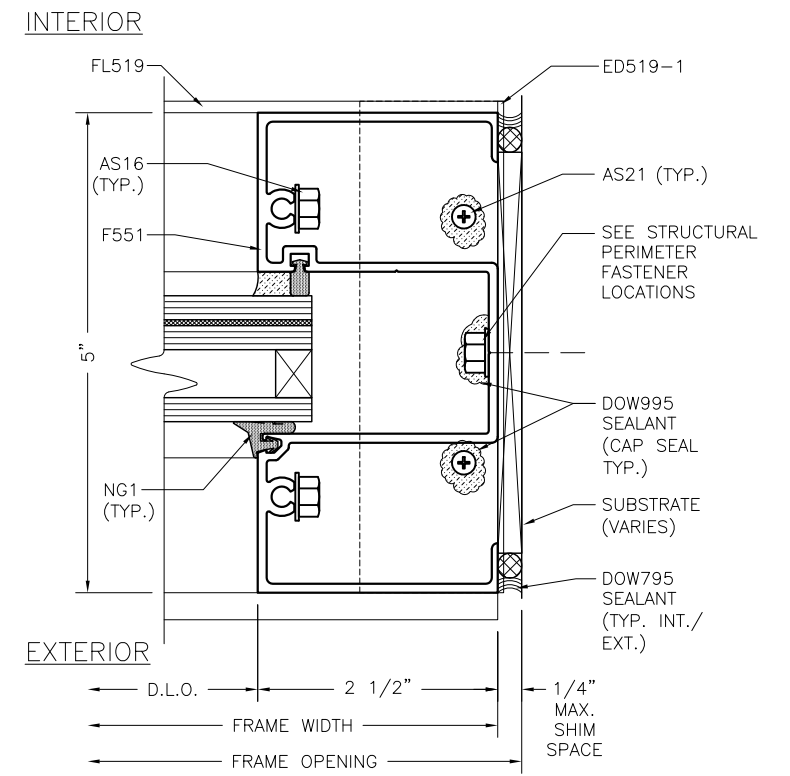
STANDARD VERT. MULLION
1:2



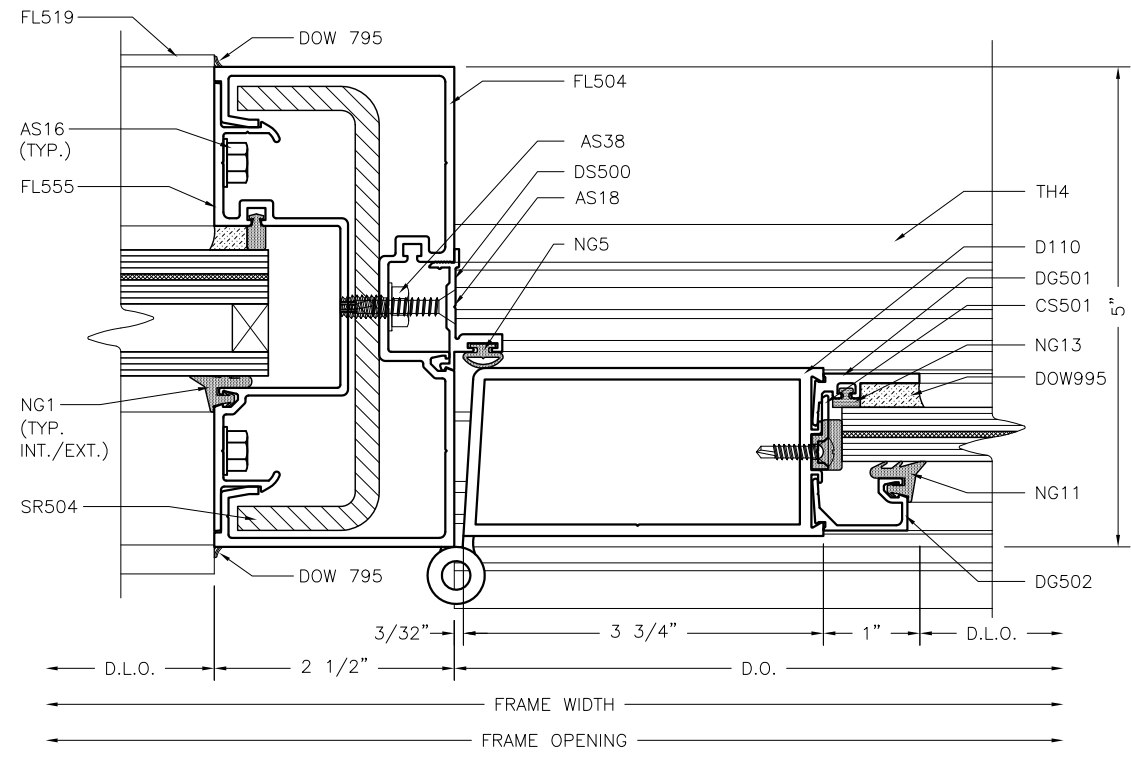
STANDARD VERT. MULLION WITH STEEL
1:2



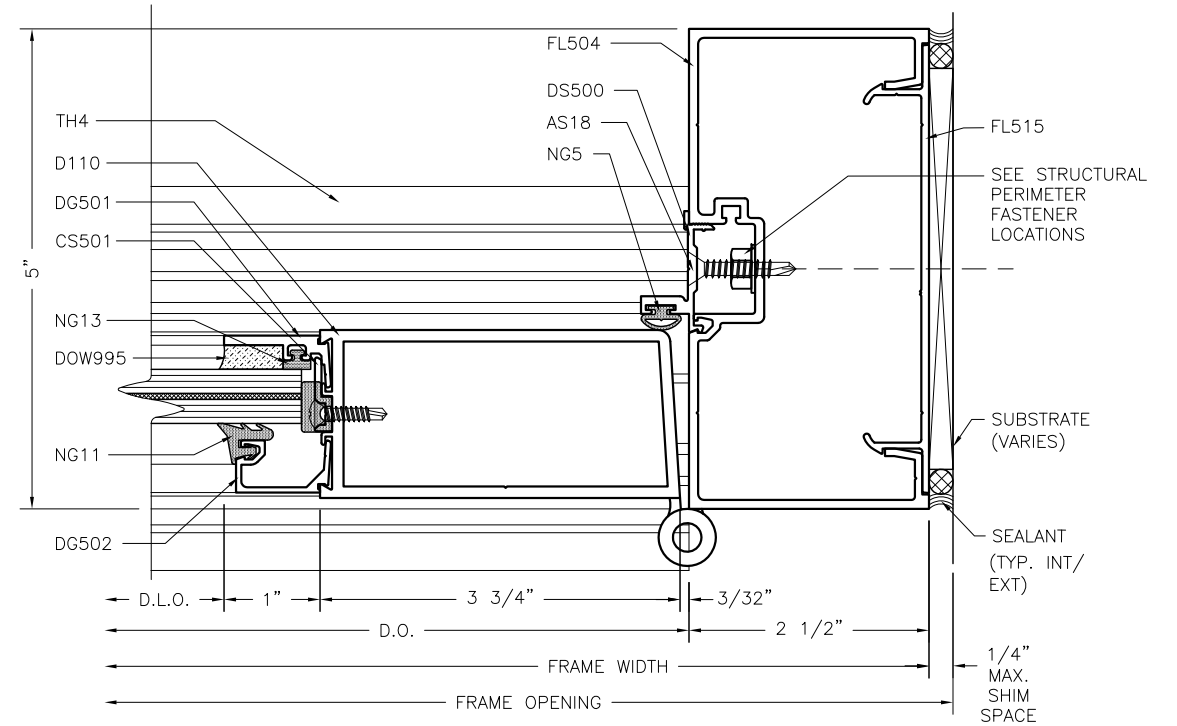
HEAVY VERT. MULLION
1:2



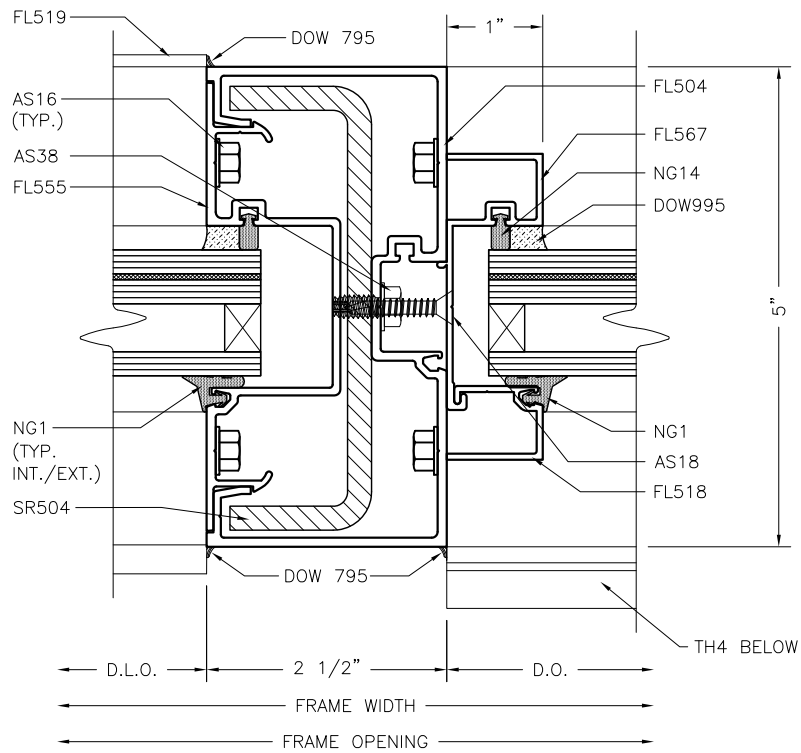
WALL JAMB
1:2



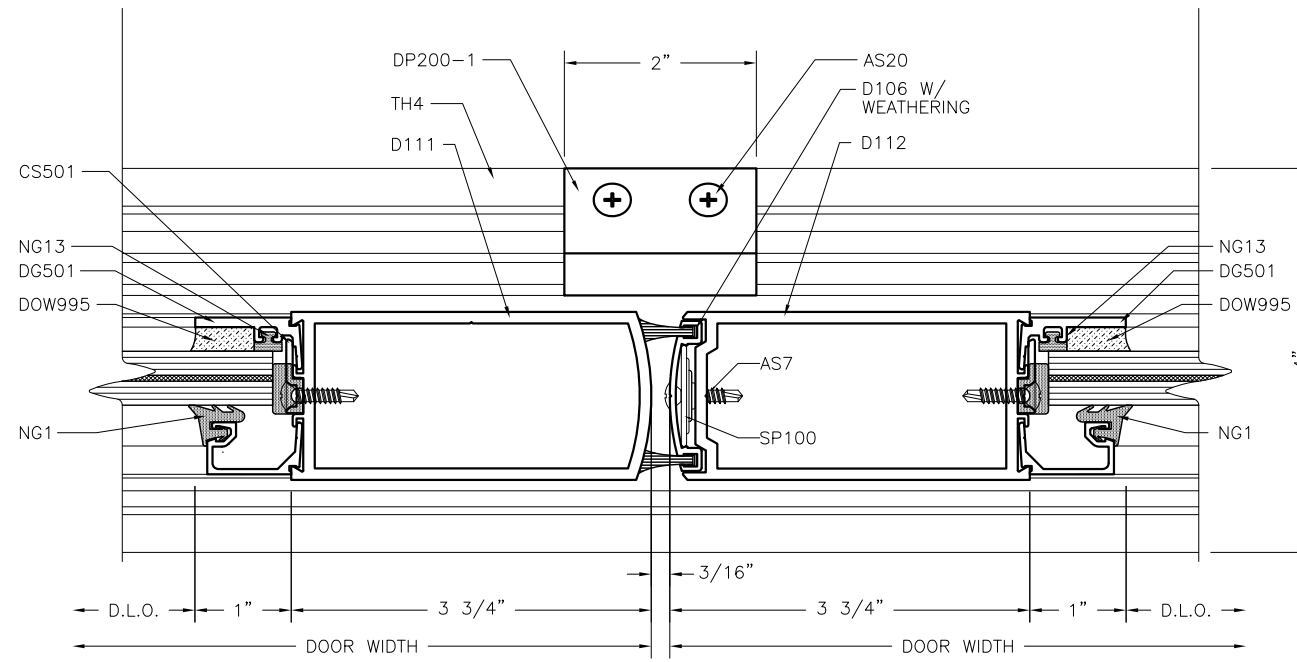
INTERM. DOOR JAMB
1:2



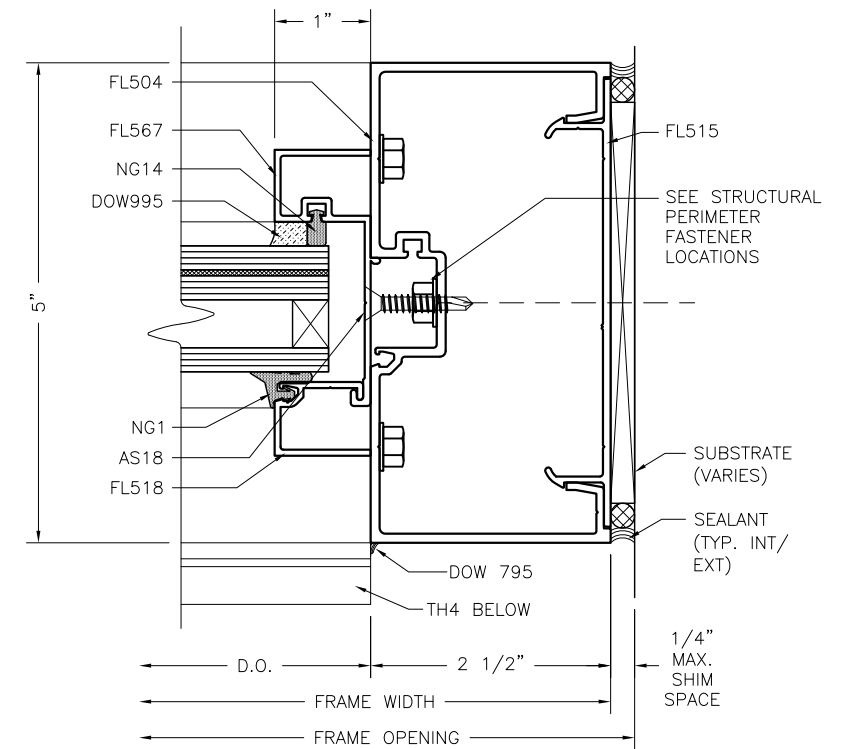
DOOR JAMB AT WALL
1:2



INTERM. DOOR JAMB @ TRANSOM
1:2

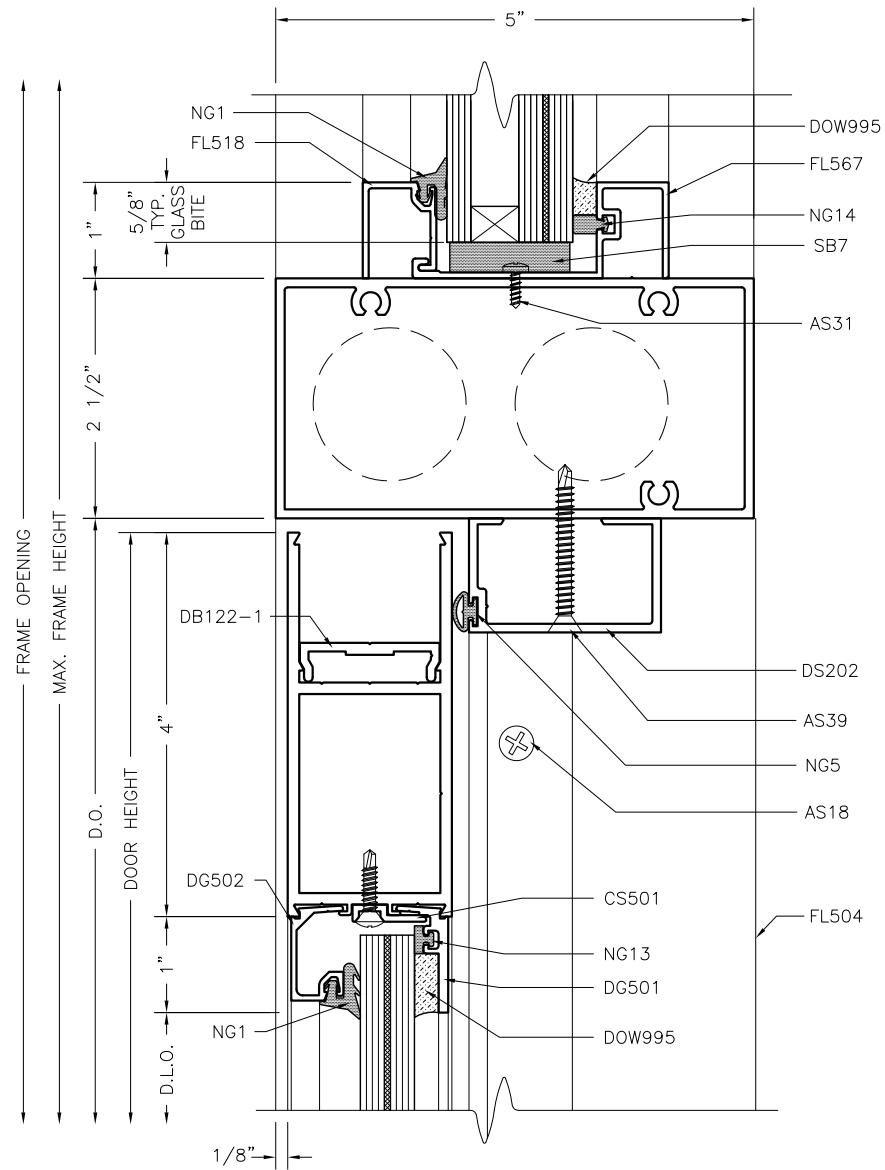


MEETING STILES
1:2

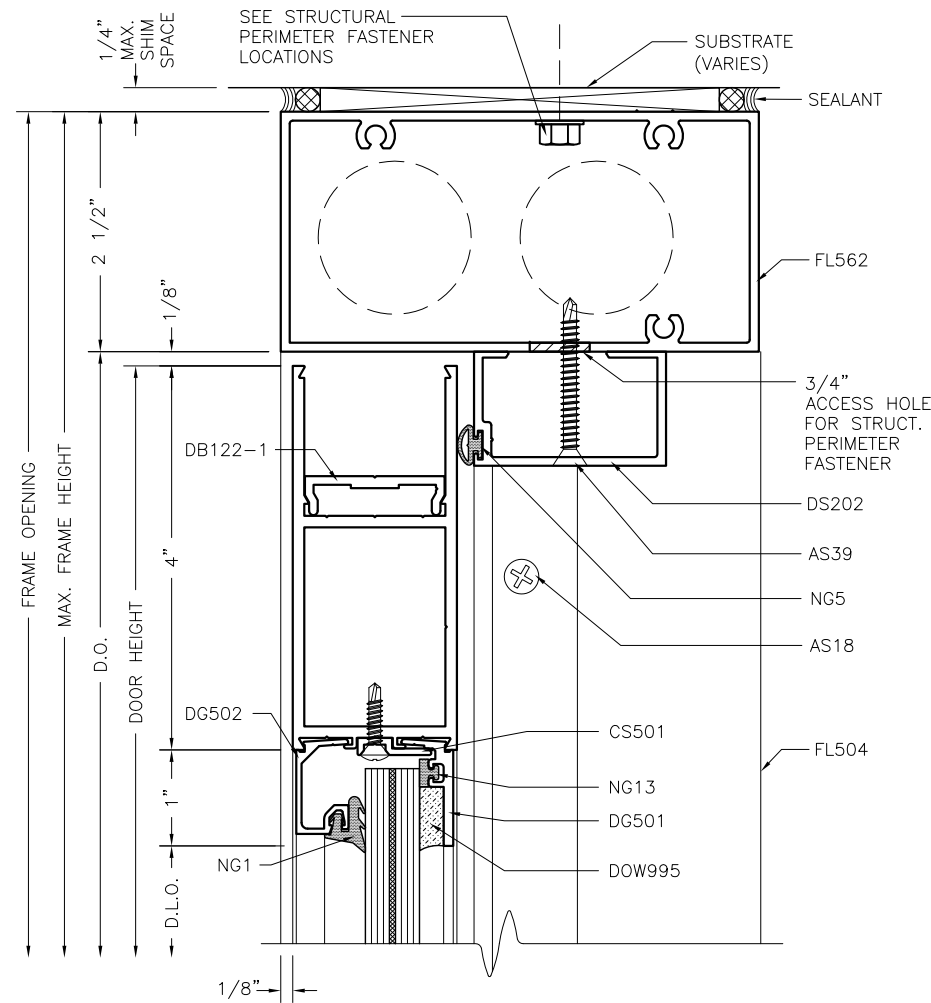


TRANSOM DOOR JAMB AT WALL
1:2

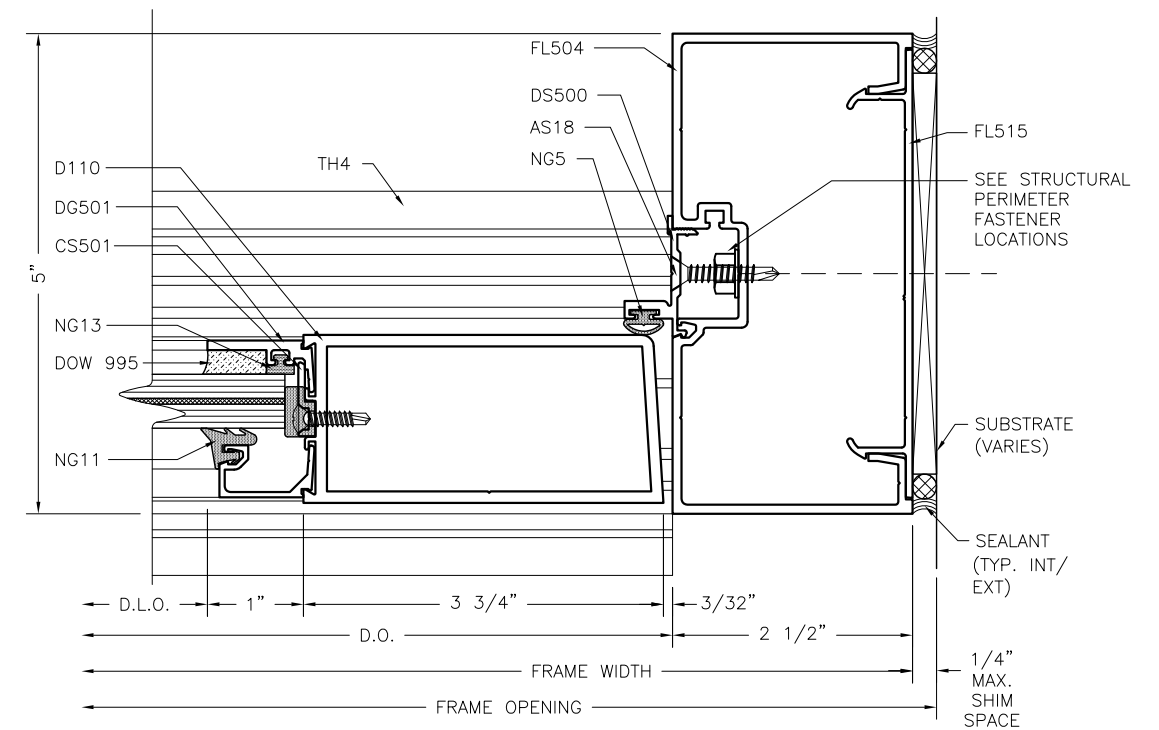
ARCHITECTURAL DETAILS: FL550



C.O.C. DOOR FRAME HEADER W/ OFFSET ARM
1:2

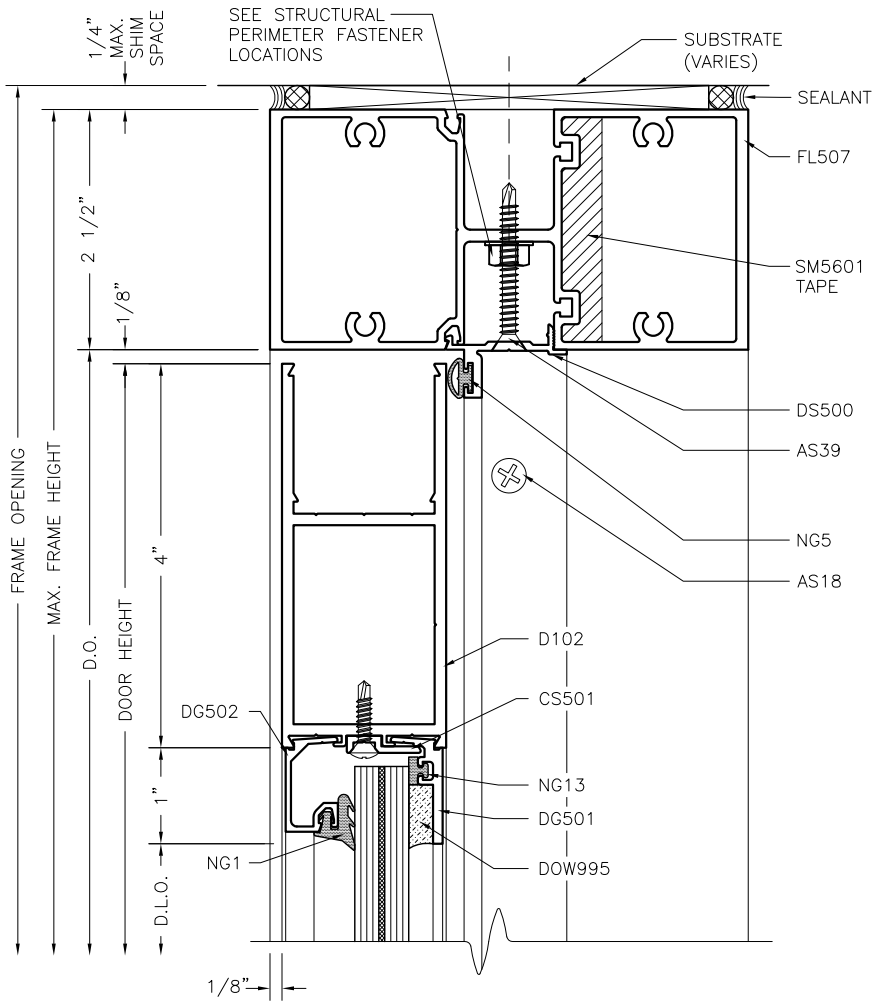


C.O.C. TRANSOM BAR W/ OFFSET ARM
1:2

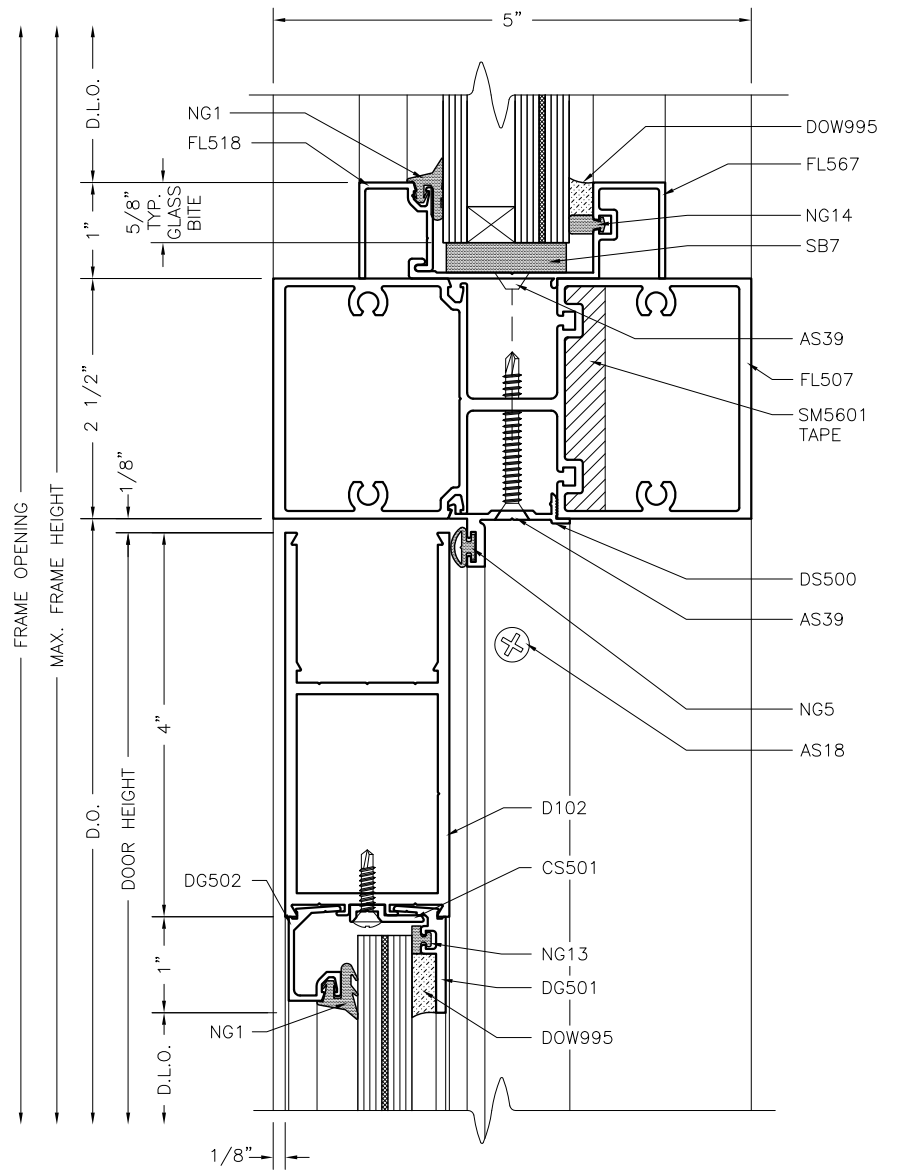


LOCK STILE JAMB AT WALL
1:2
(FOR SINGLE DOOR)

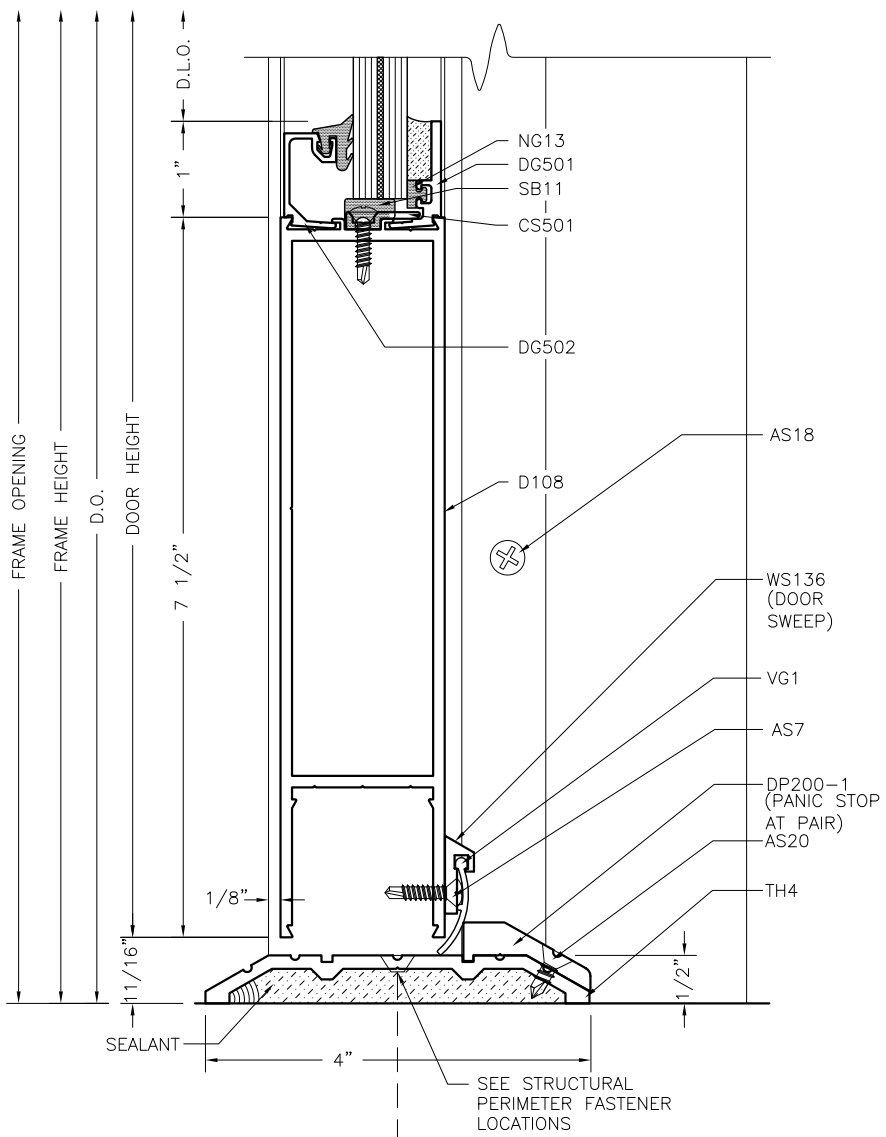
ARCHITECTURAL DETAILS: FL550



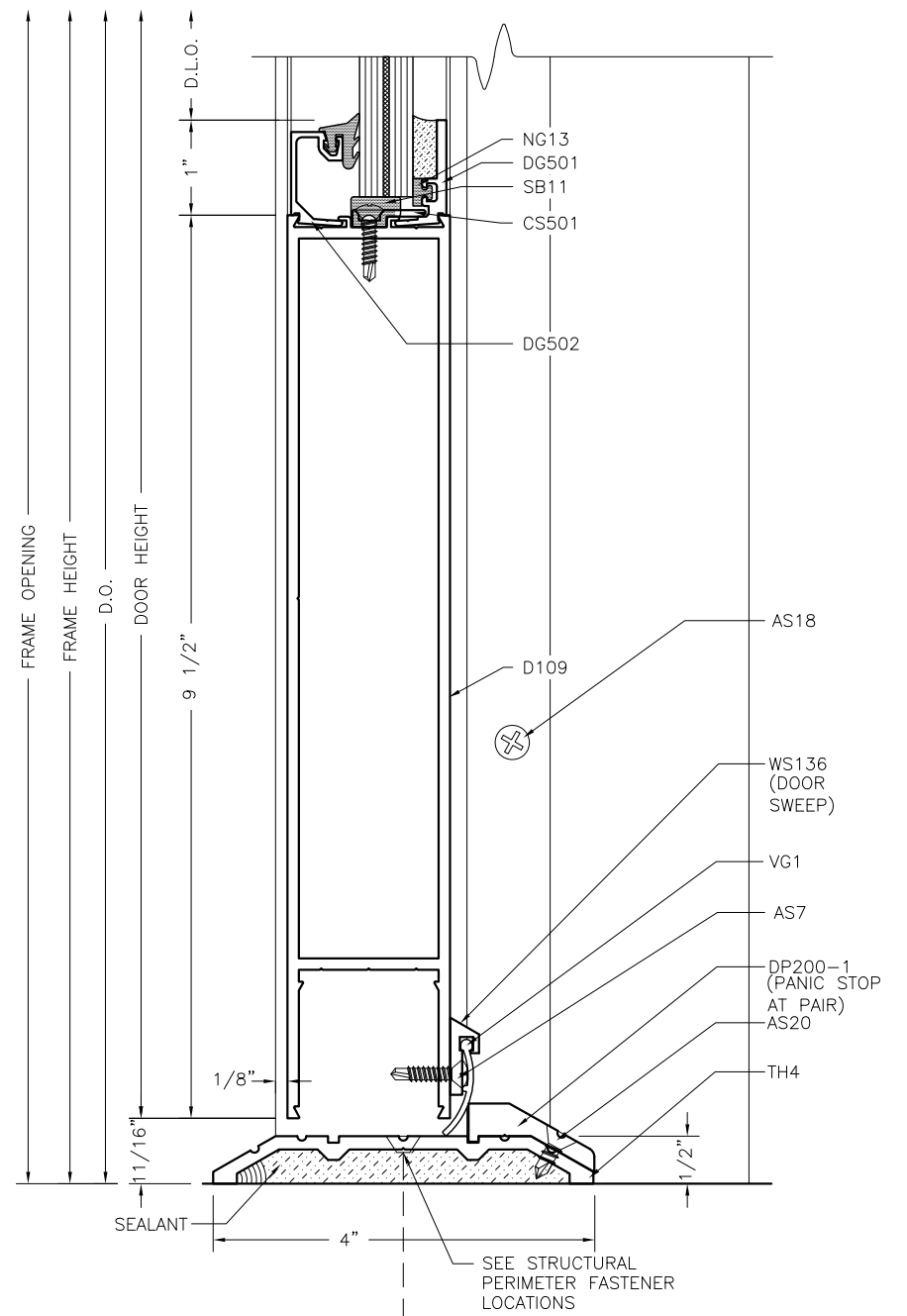
DOOR FRAME HEADER—BUTT HUNG—SURFACE CLOSER
1:2



TRANSOM BAR—BUTT HUNG—SURFACE CLOSER
1:2

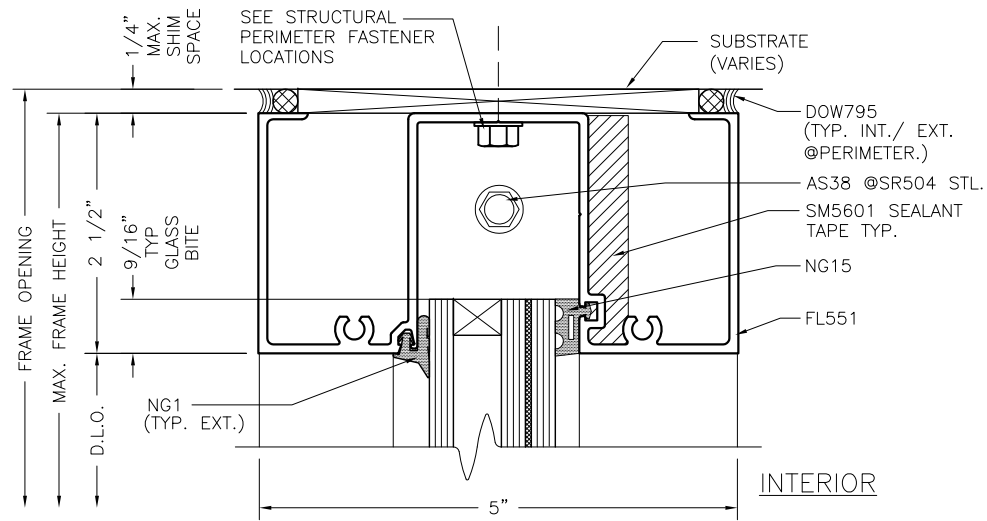


THRESHOLD
1:2

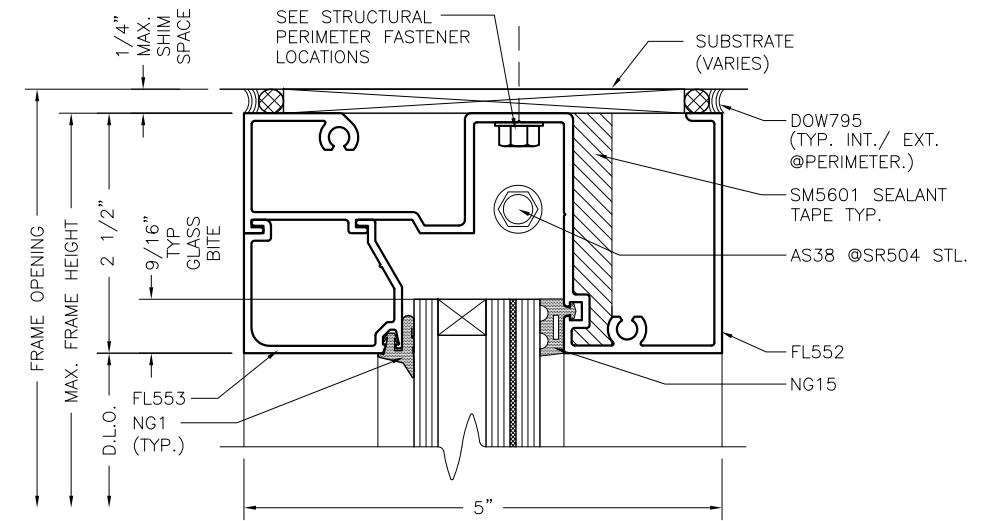


THRESHOLD
1:2

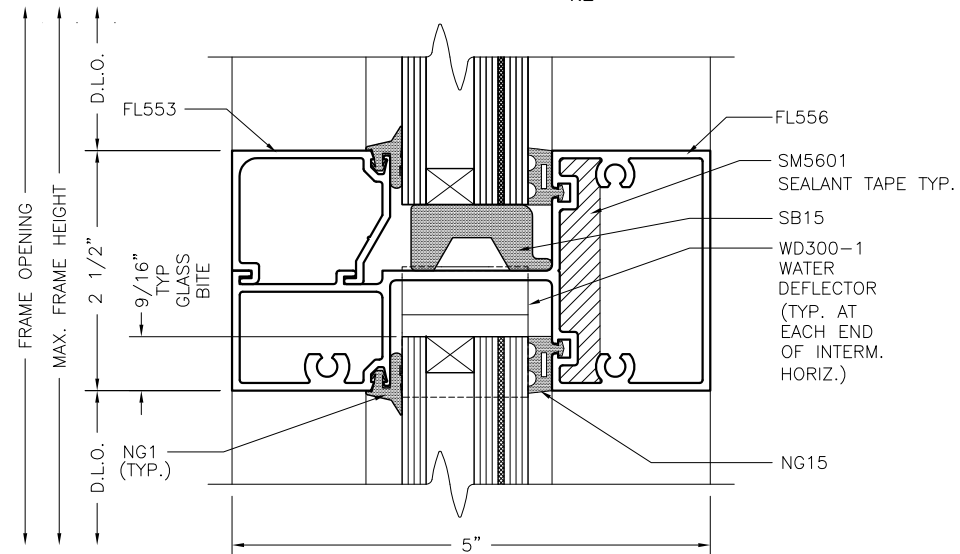
ARCHITECTURAL DETAILS: FL550 (DRY GLAZE)



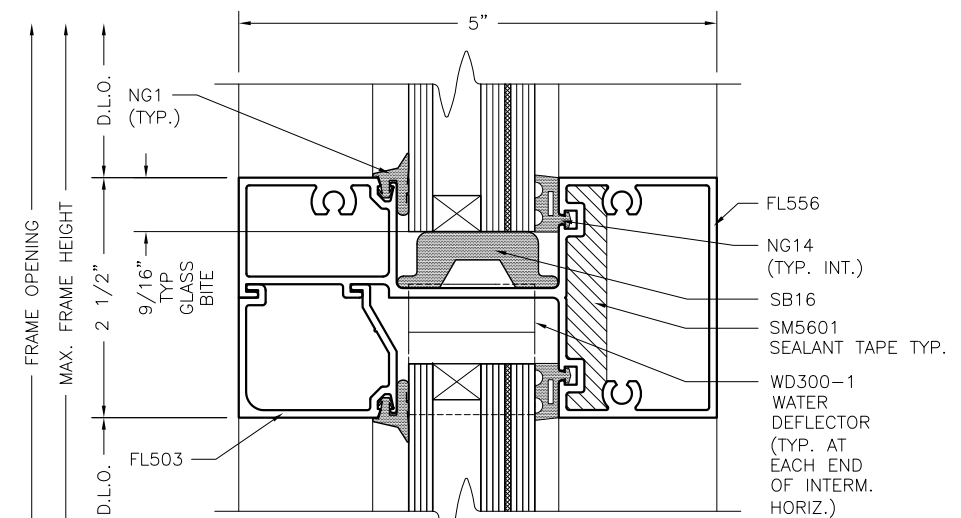
STANDARD HEAD
1:2



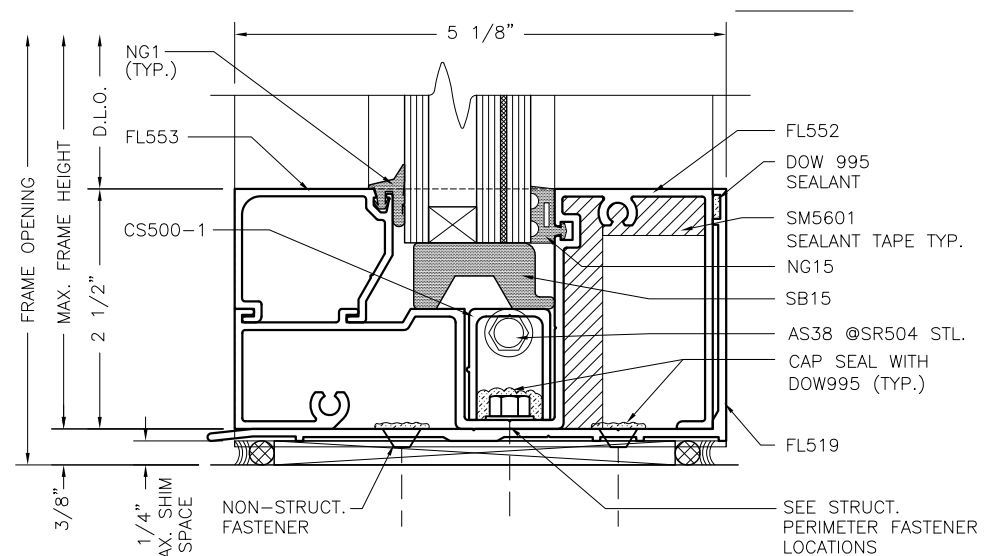
ALTERNATE HEAD
1:2



STANDARD HORIZ. MULLION
1:2

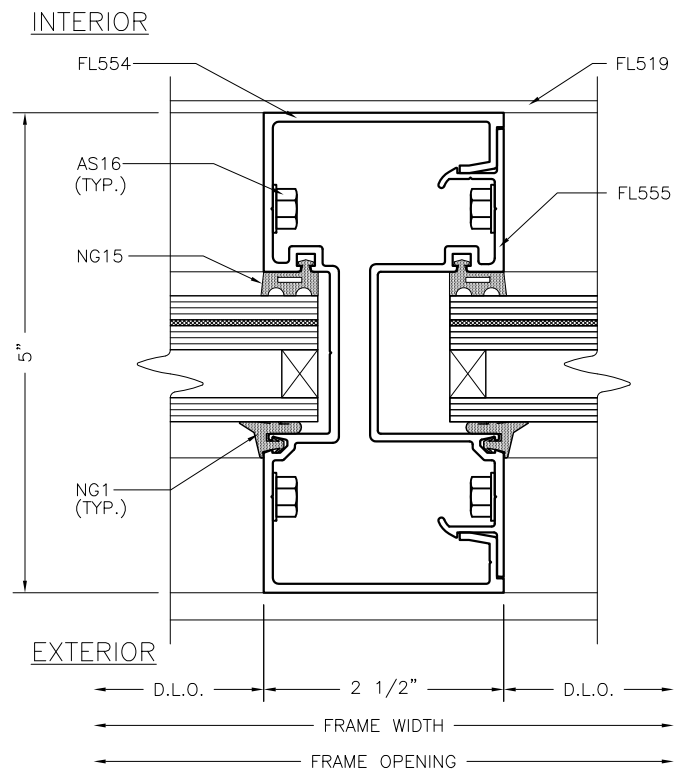


INVERTED HORIZ. MULLION
1:2

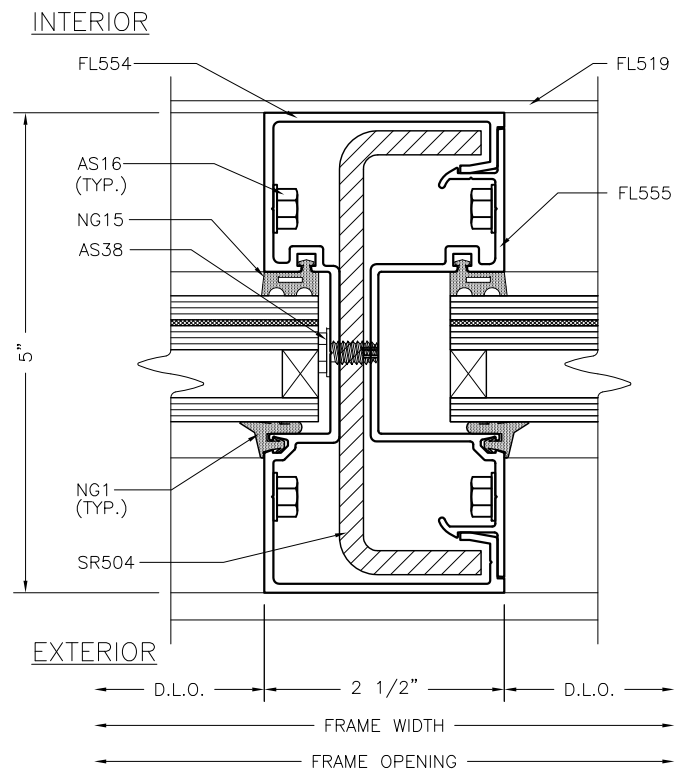


STANDARD SILL
1:2

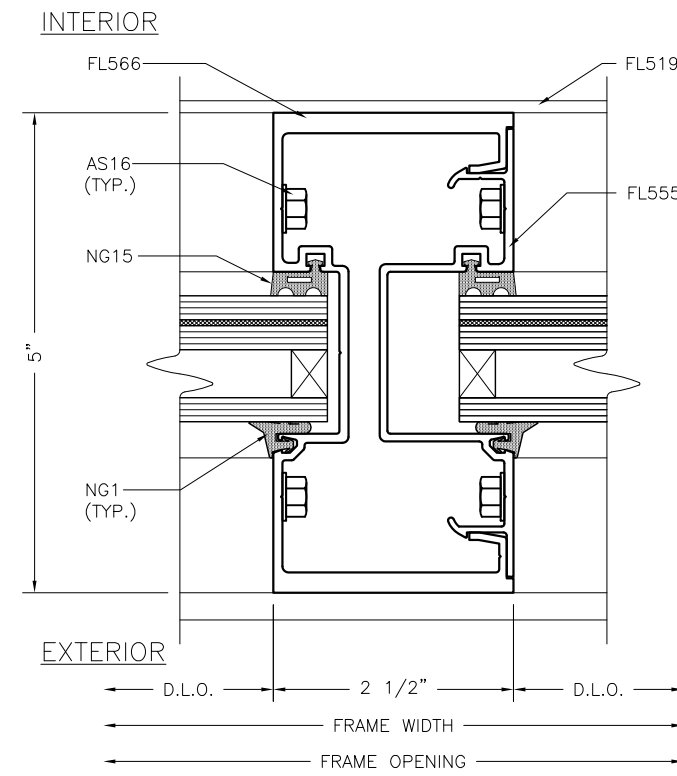
NOTE:
REFERENCE FL550 INSTALLATION INSTRUCTIONS FOR STRUCTURAL PERIMETER FASTENER TYPES AND LOCATIONS FOR CONCRETE, STEEL, OR WOOD SUBSTRATES.



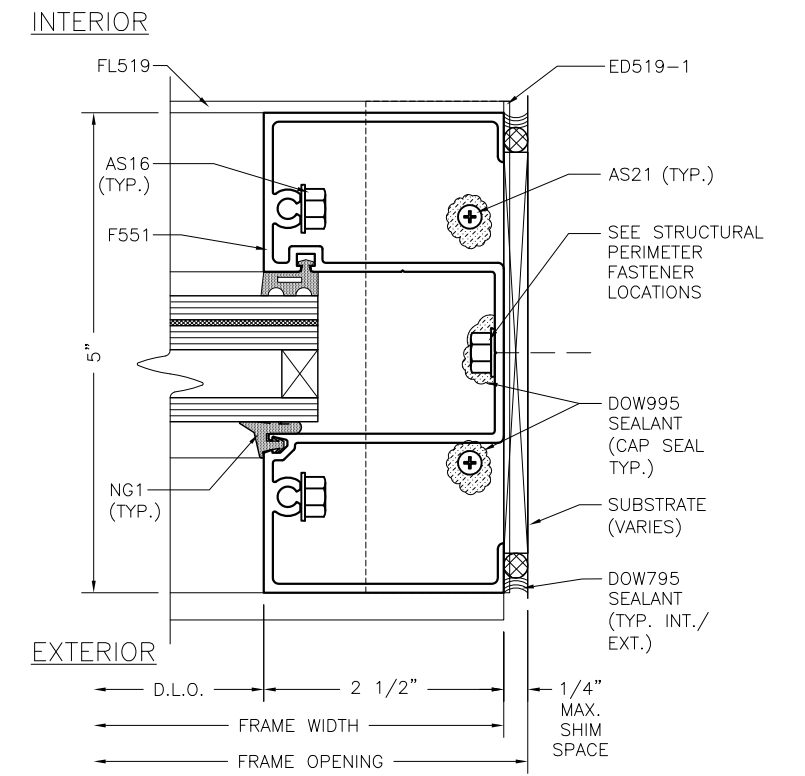
STANDARD VERT. MULLION
1:2



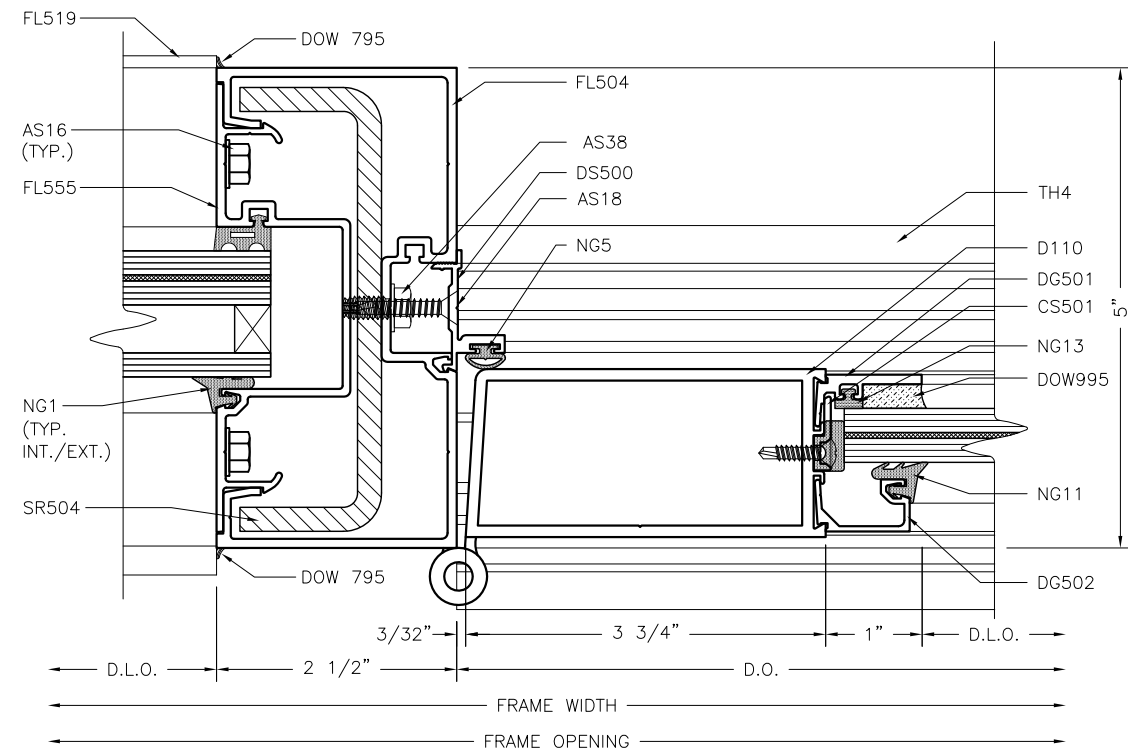
STANDARD VERT. MULLION WITH STEEL
1:2



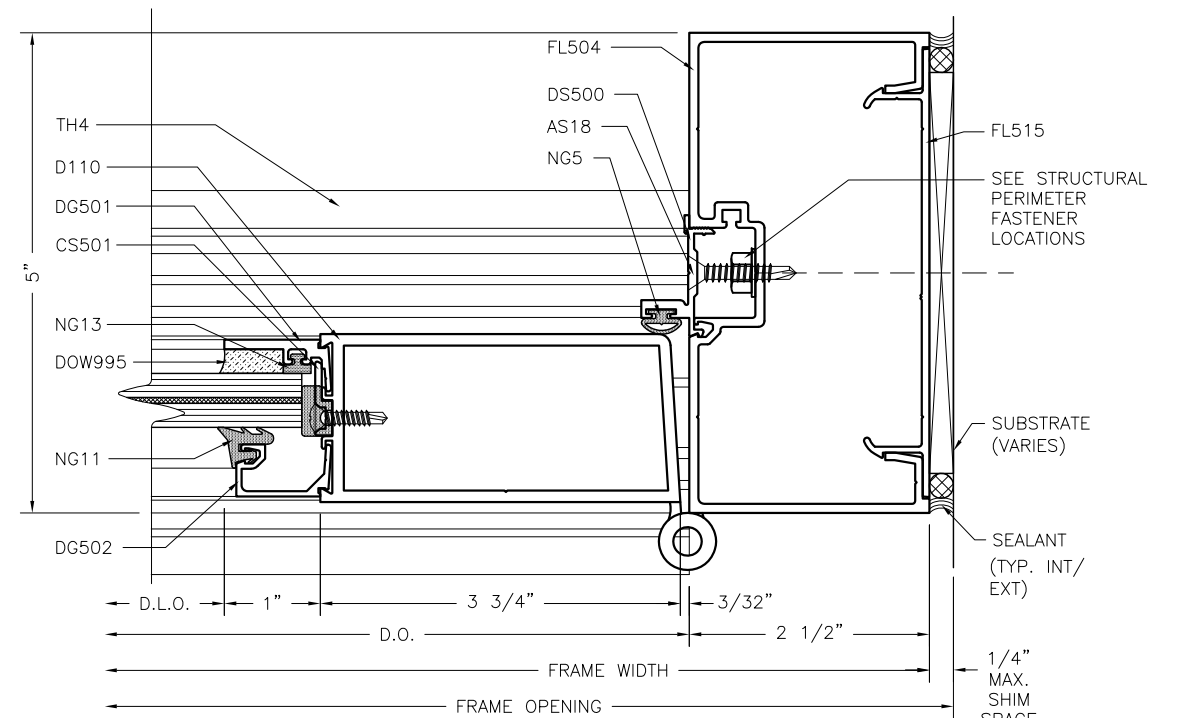
HEAVY VERT. MULLION
1:2



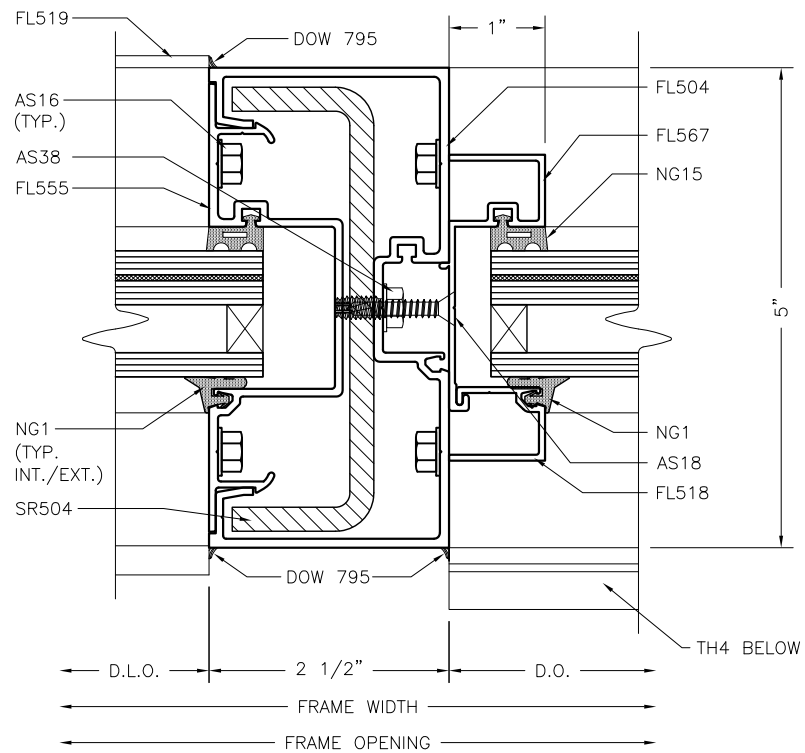
WALL JAMB
1:2



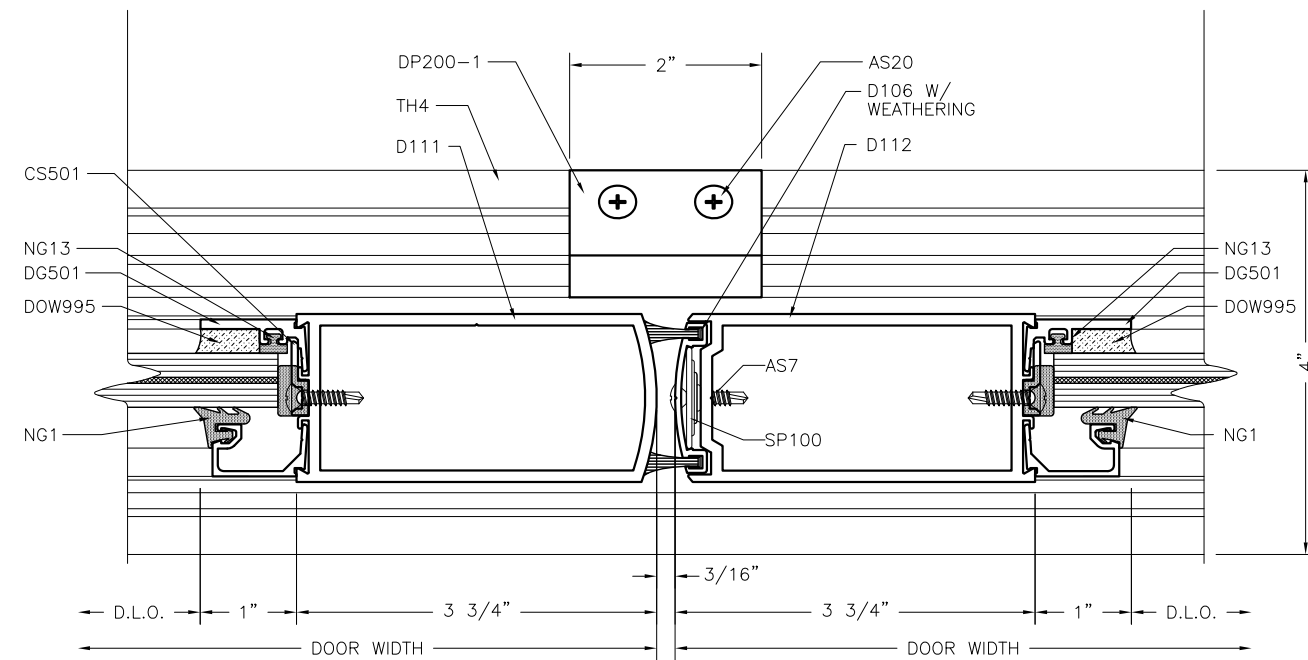
INTERM. DOOR JAMB
1:2



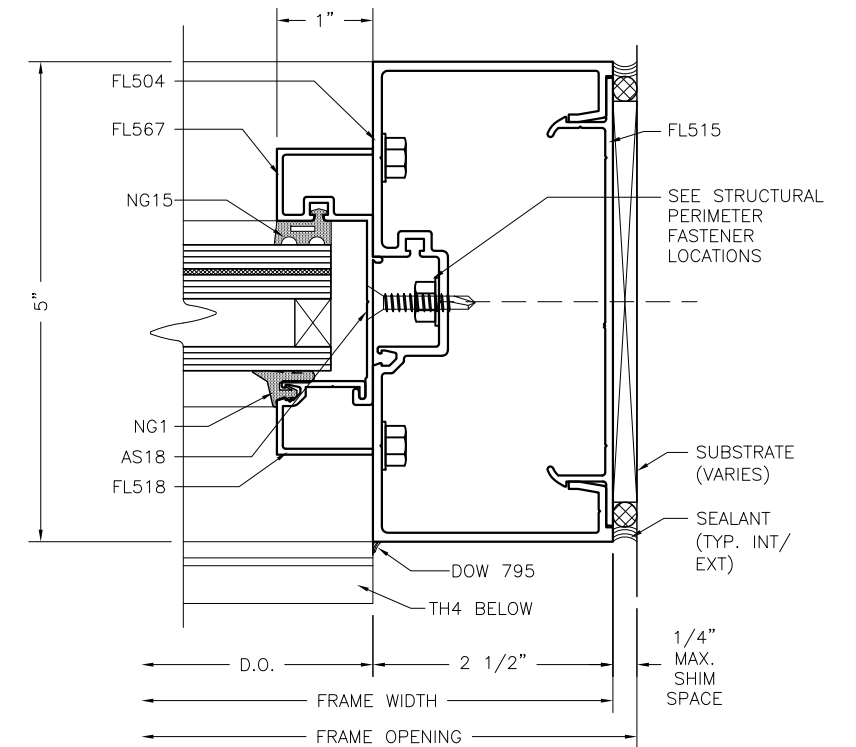
DOOR JAMB AT WALL
1:2



INTERM. DOOR JAMB @ TRANSOM
1:2

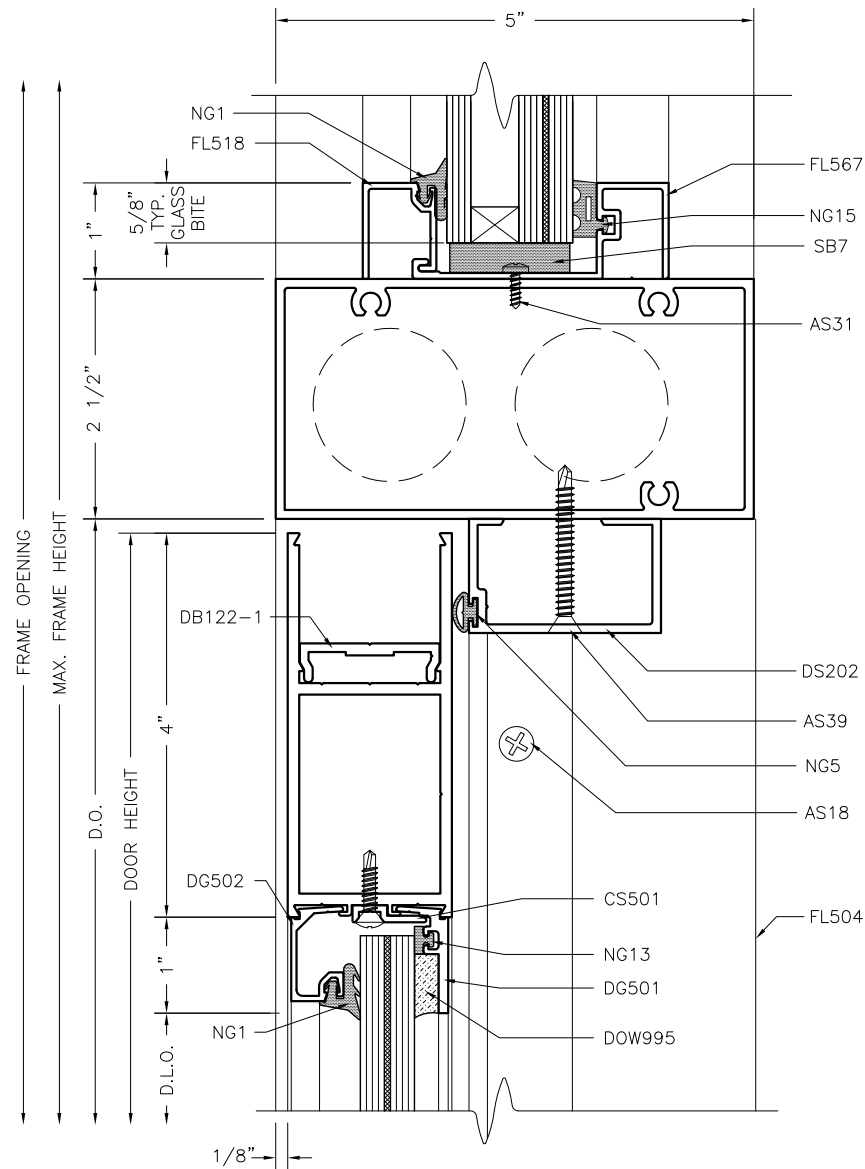


MEETING STILES
1:2

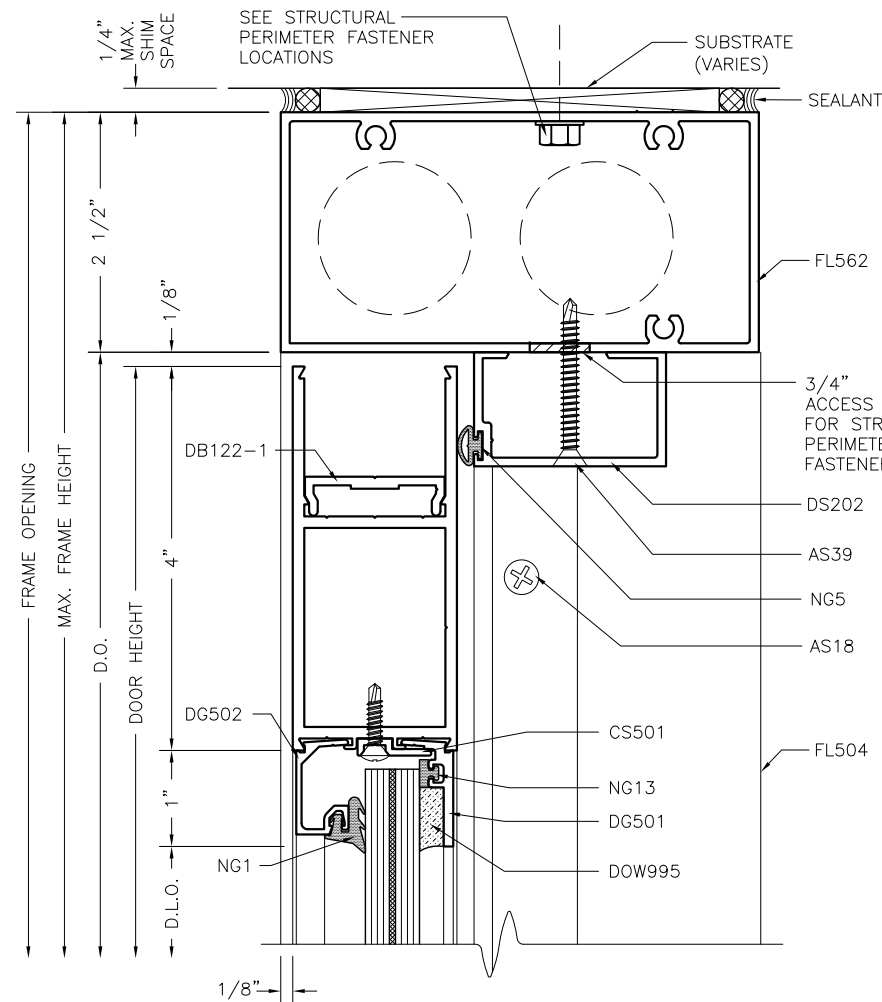


TRANSOM DOOR JAMB AT WALL
1:2

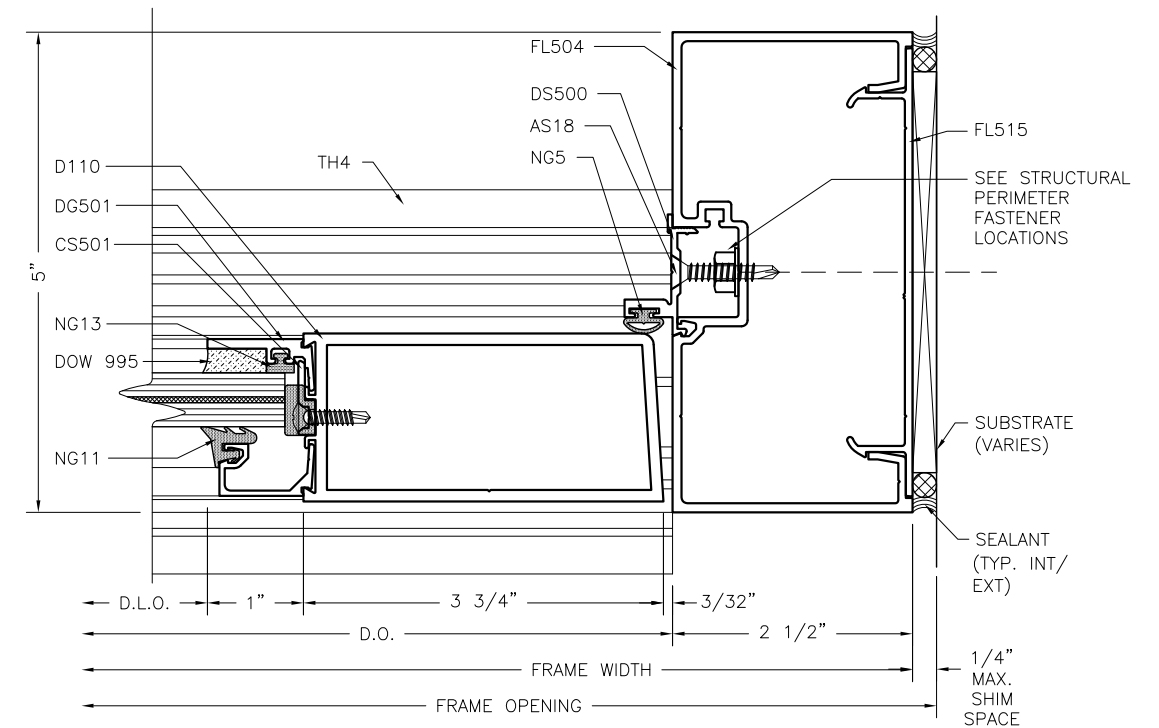
ARCHITECTURAL DETAILS: FL550



C.O.C. DOOR FRAME HEADER W/ OFFSET ARM
1:2

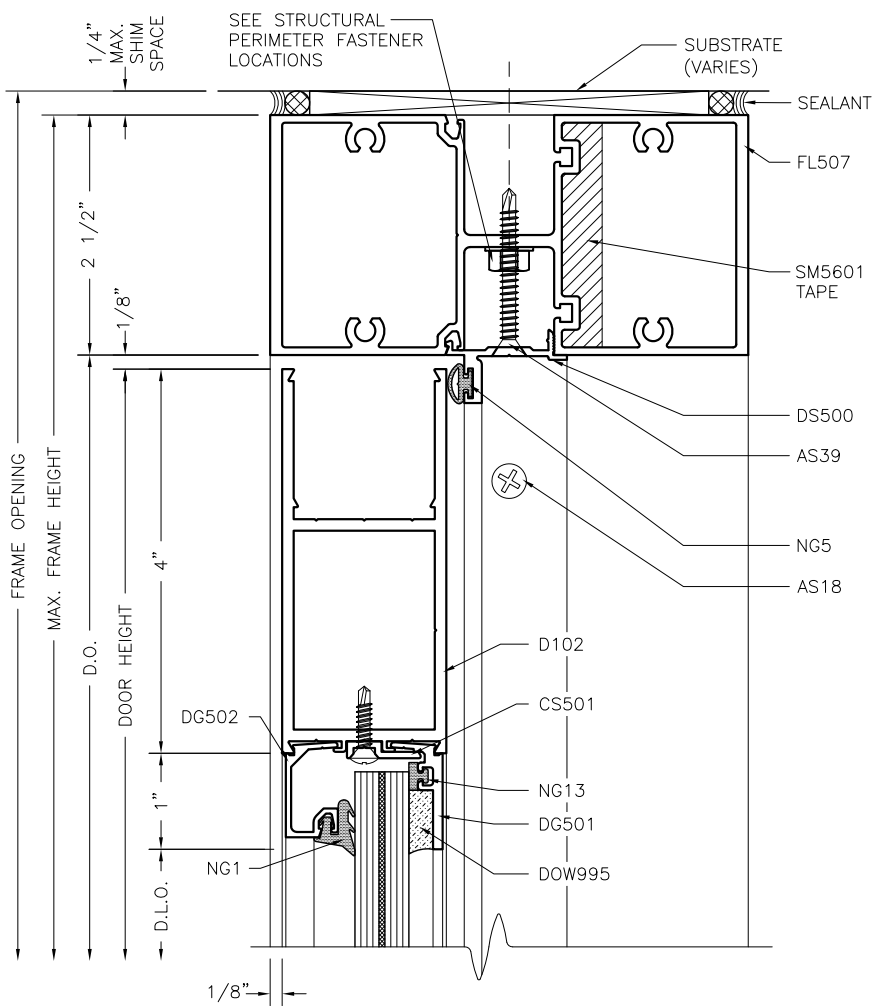


C.O.C. TRANSOM BAR W/ OFFSET ARM
1:2



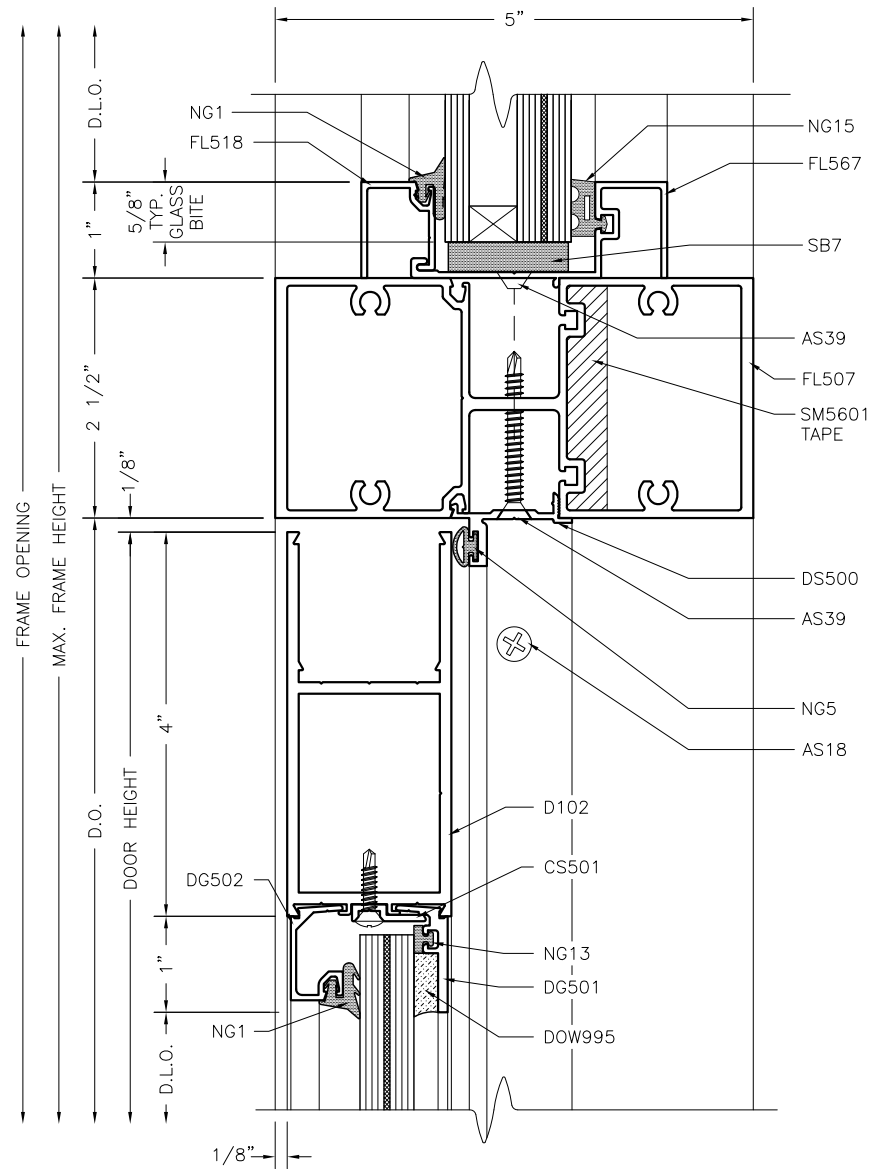
LOCK STILE JAMB AT WALL
1:2
(FOR SINGLE DOOR)

ARCHITECTURAL DETAILS: FL550



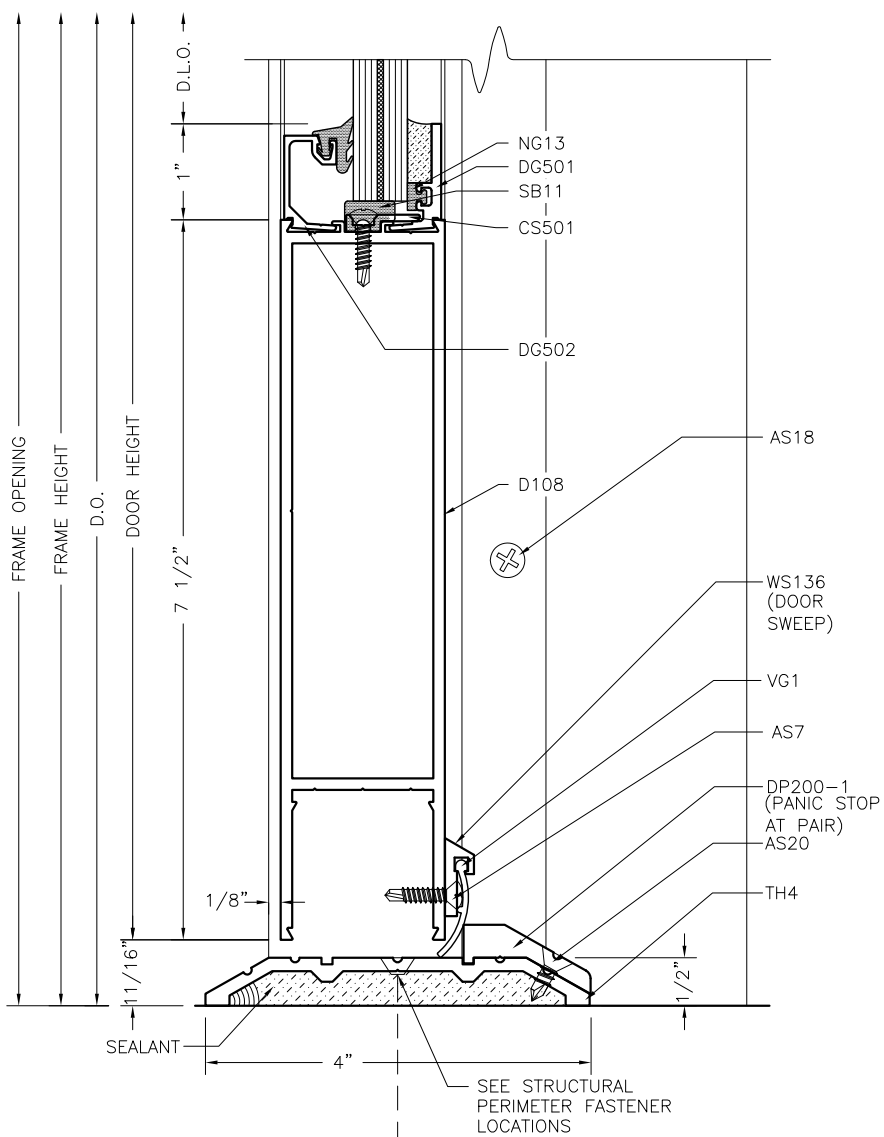
DOOR FRAME HEADER—BUTT HUNG—SURFACE CLOSER

1:2



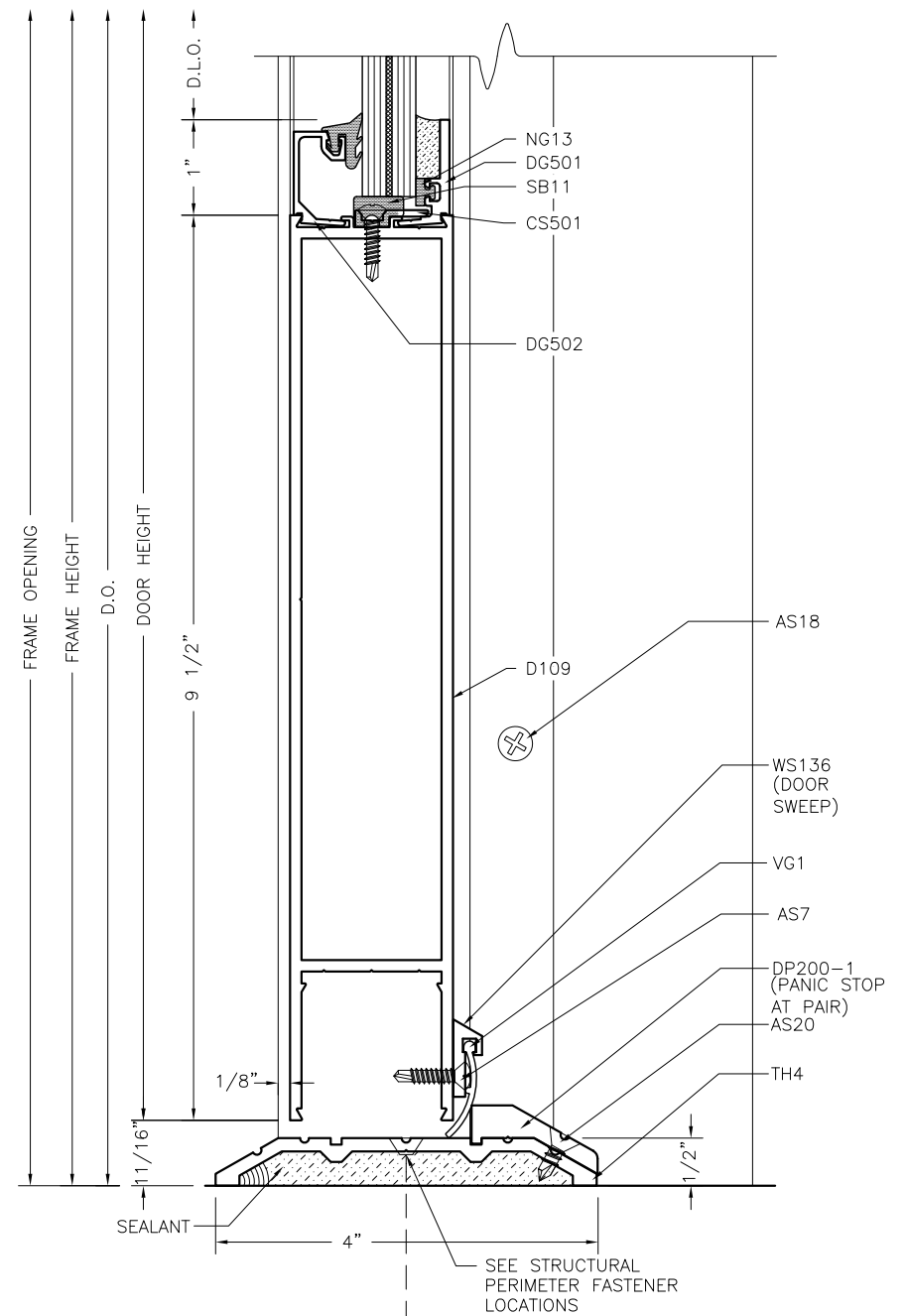
TRANSOM BAR—BUTT HUNG—SURFACE CLOSER

1:2



THRESHOLD

1:2



THRESHOLD

1:2