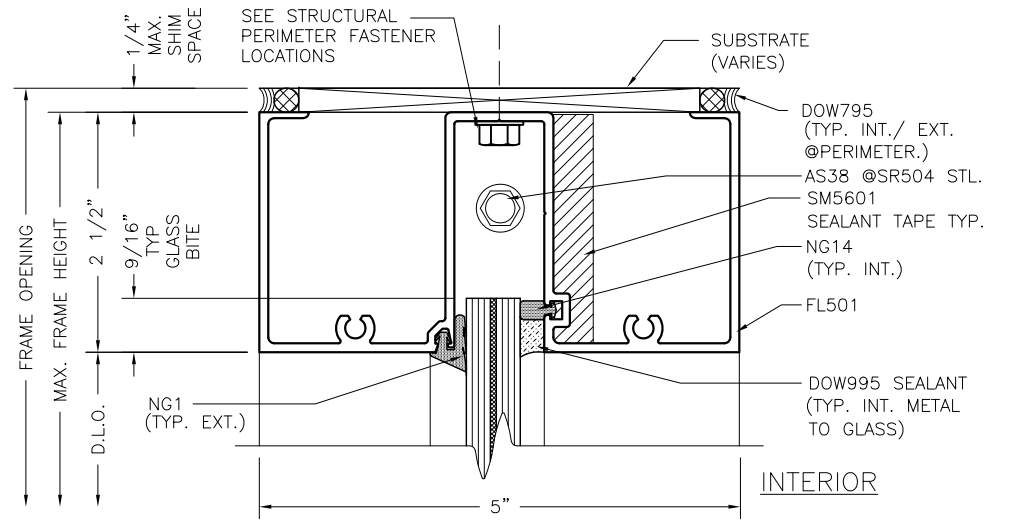
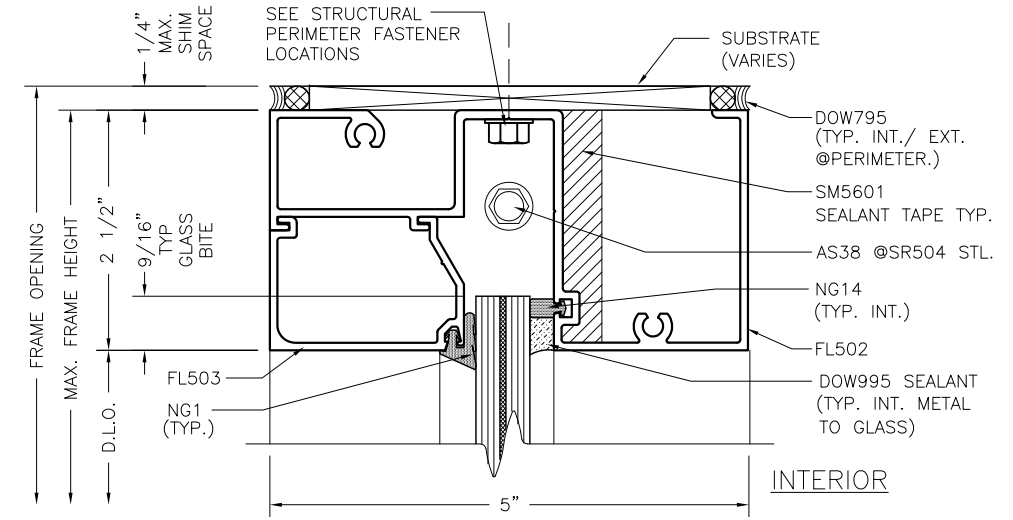


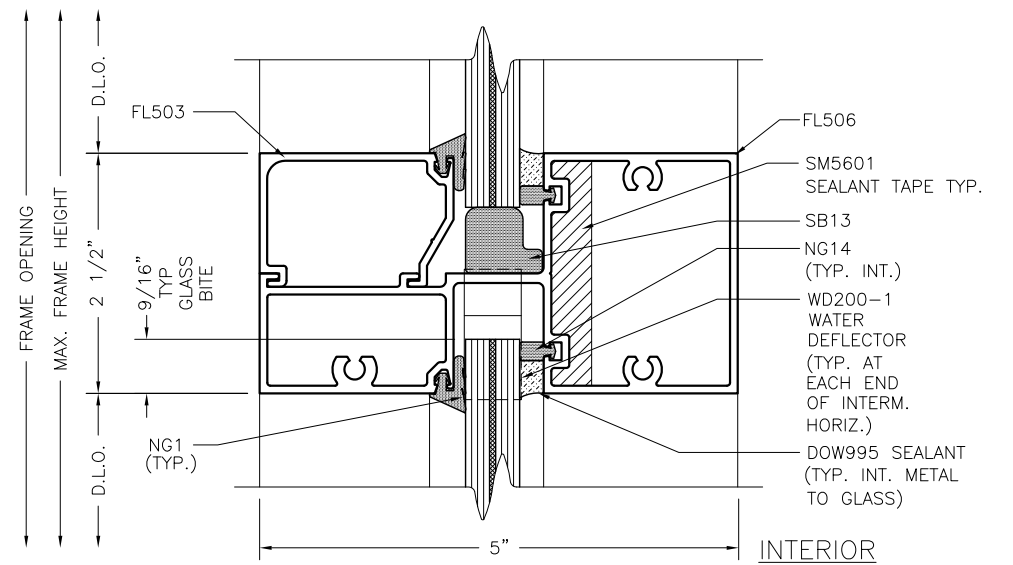
ARCHITECTURAL DETAILS: FL500 (WET GLAZED)



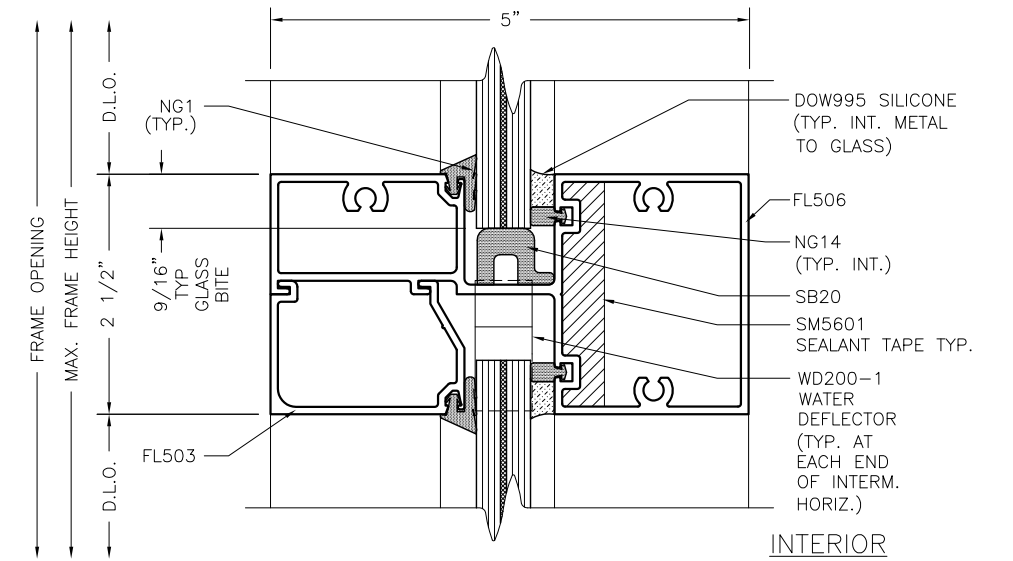
STANDARD HEAD
1:2



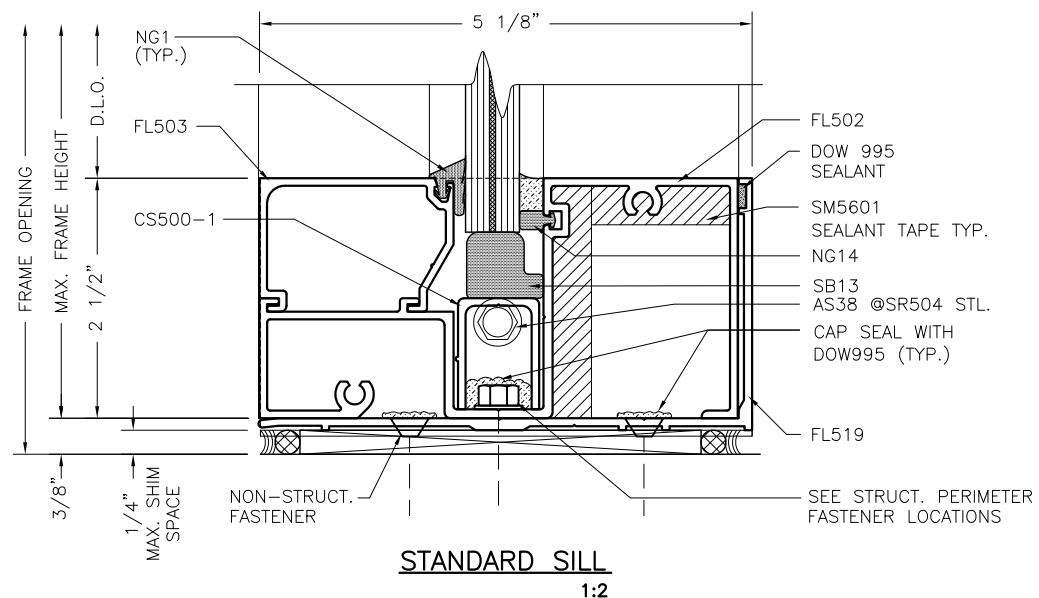
ALTERNATE HEAD
1:2



STANDARD HORIZ. MULLION
1:2

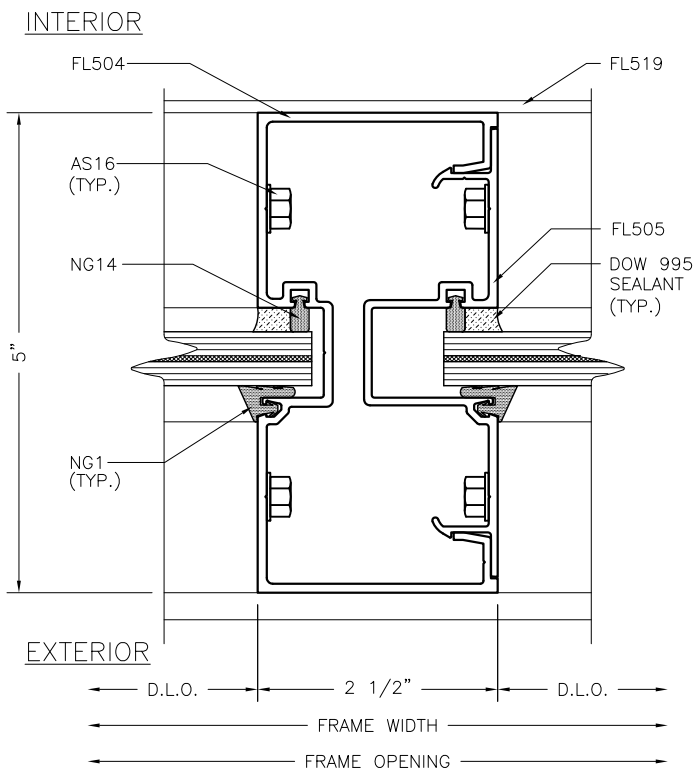


INVERTED HORIZ. MULLION
1:2

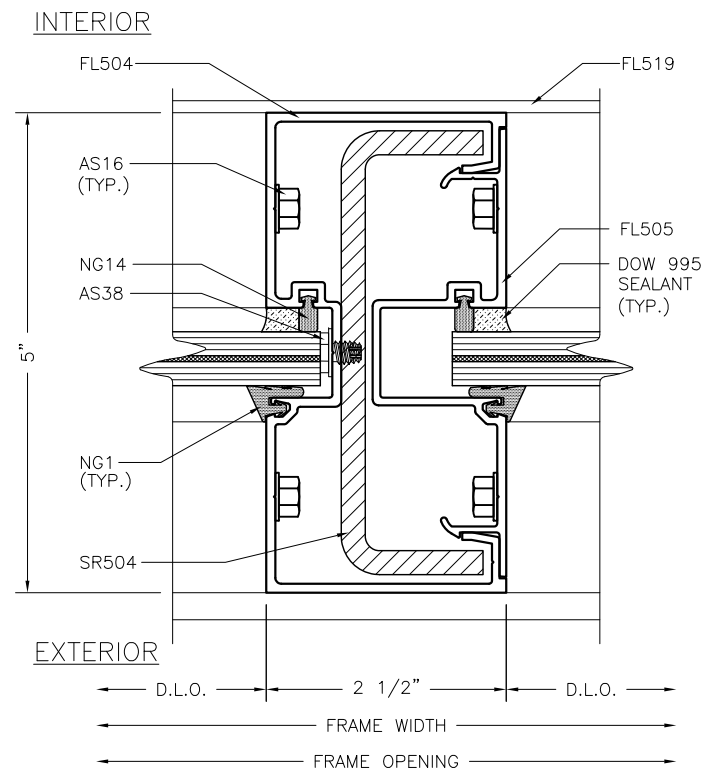


STANDARD SILL
1:2

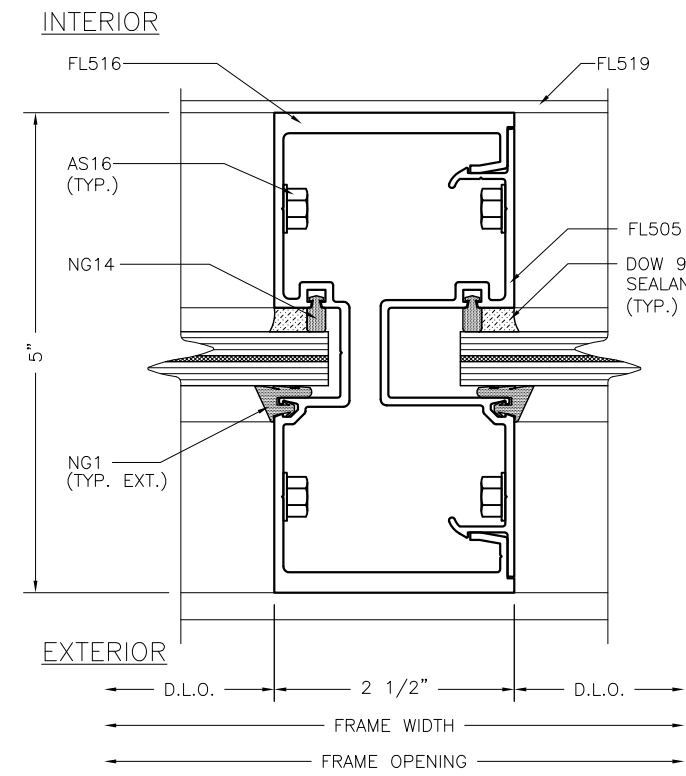
NOTE:
REFERENCE FL550 INSTALLATION INSTRUCTIONS FOR STRUCTURAL PERIMETER FASTENER TYPES AND LOCATIONS FOR CONCRETE, STEEL, OR WOOD SUBSTRATES.



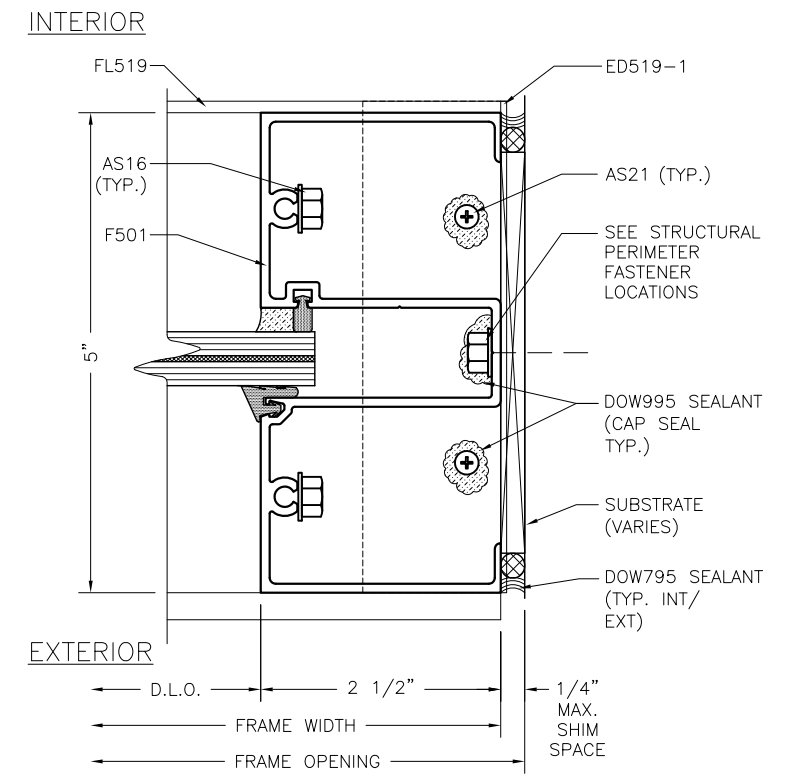
STANDARD VERT. MULLION
1:2



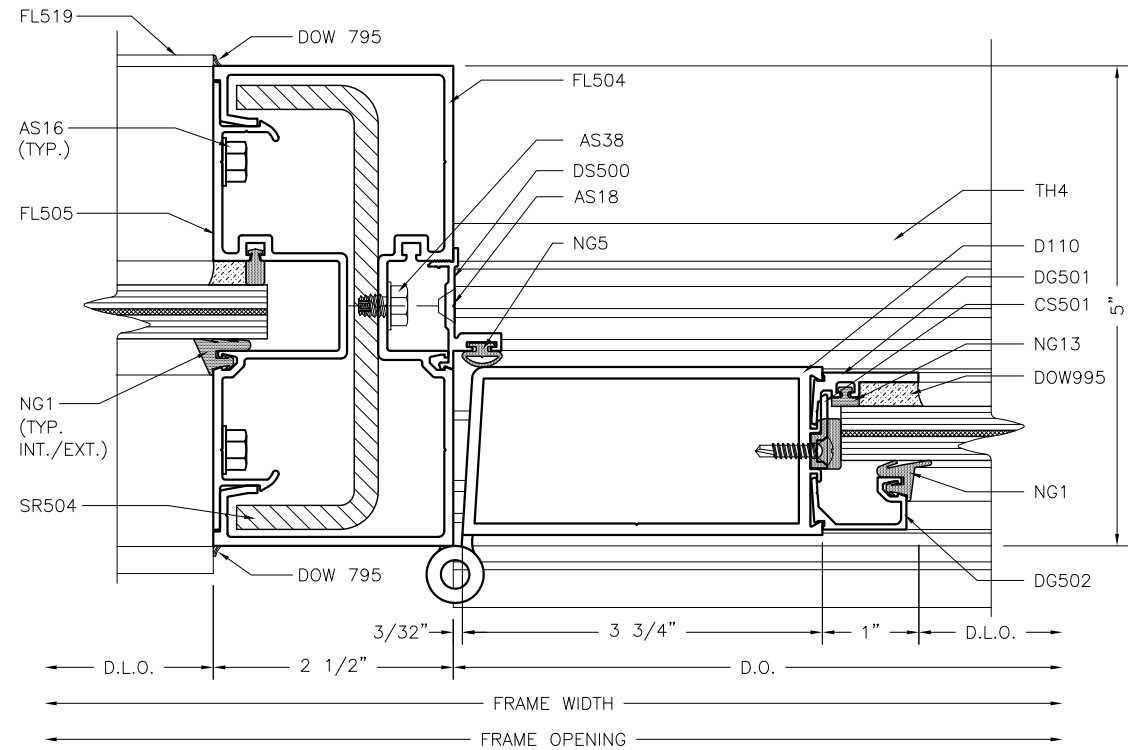
STANDARD VERT. MULLION WITH STEEL
1:2



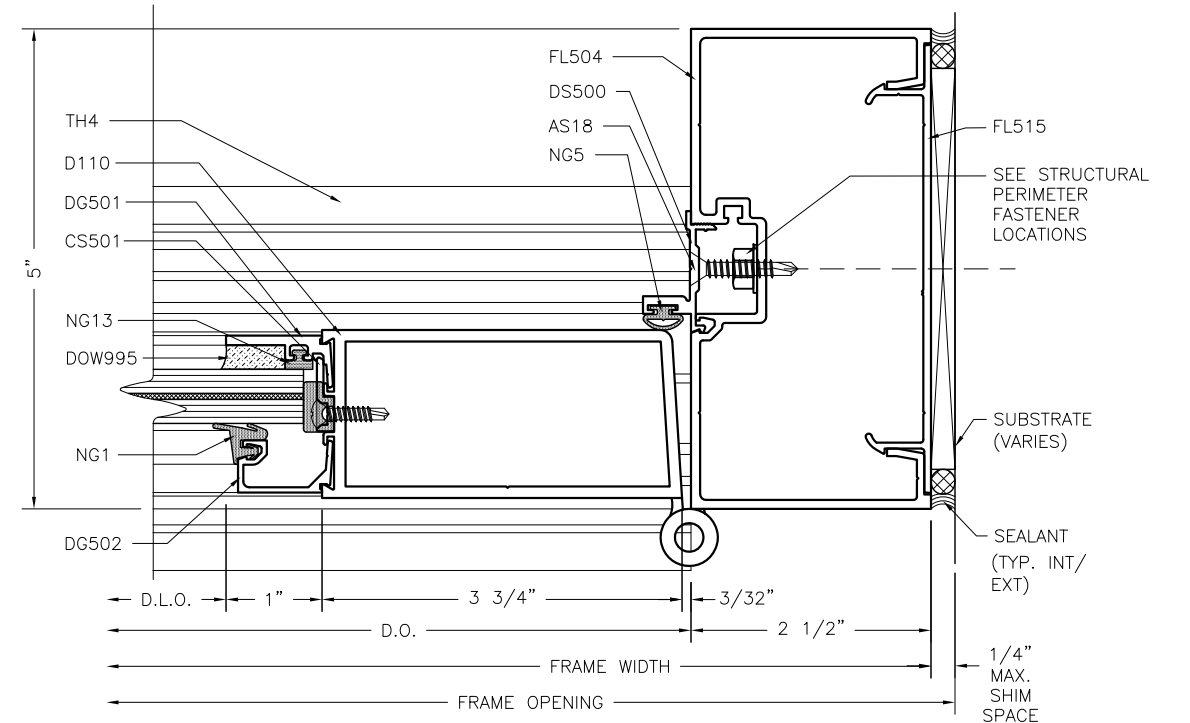
HEAVY VERT. MULLION
1:2



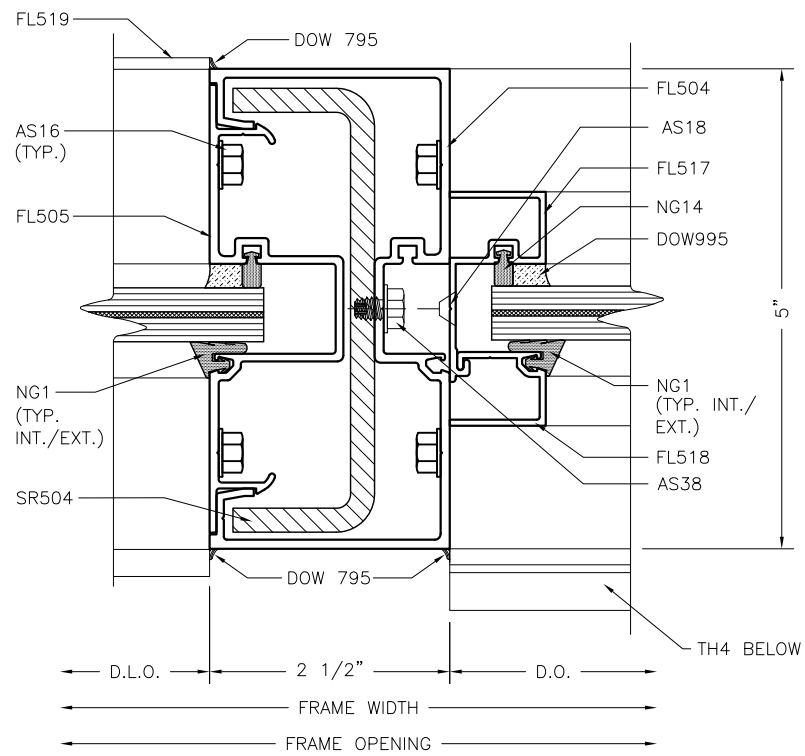
WALL JAMB
1:2



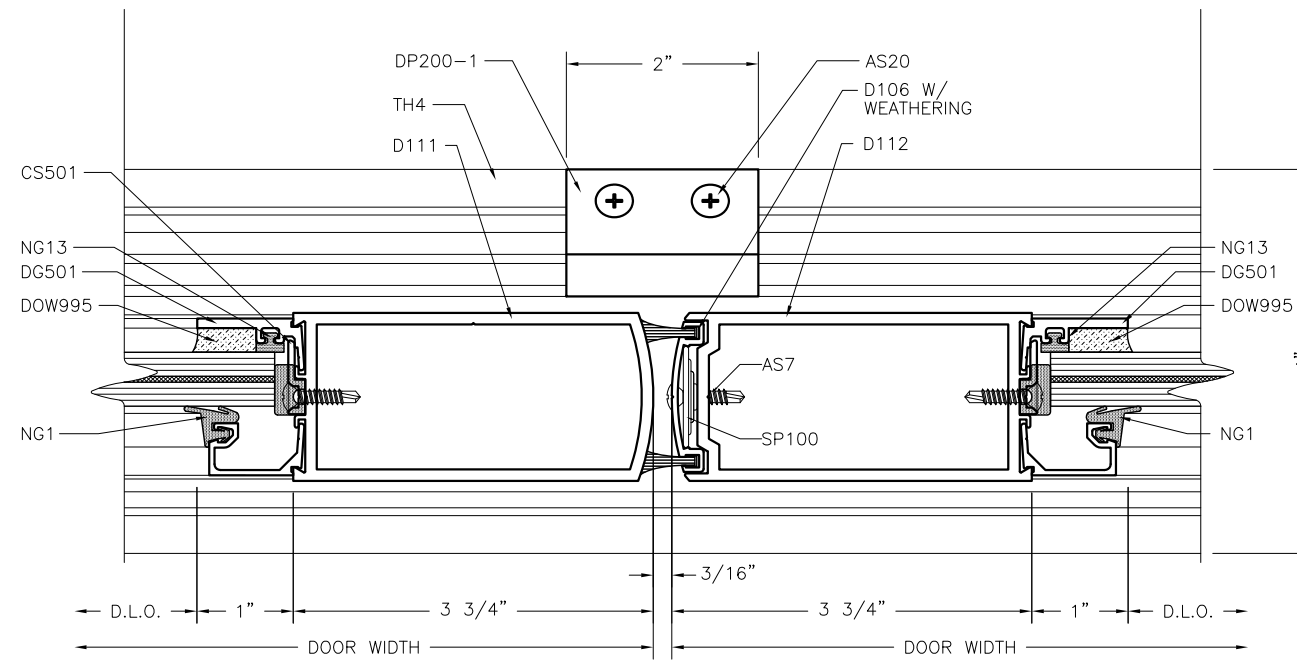
INTERM. DOOR JAMB
1:2



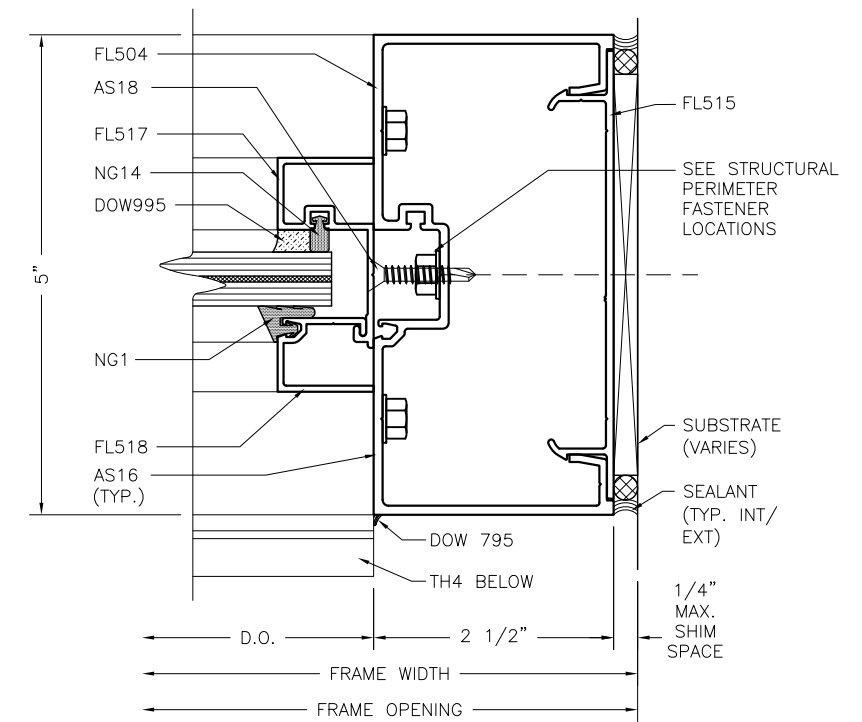
DOOR JAMB AT WALL
1:2



INTERM. DOOR JAMB @ TRANSOM
1:2

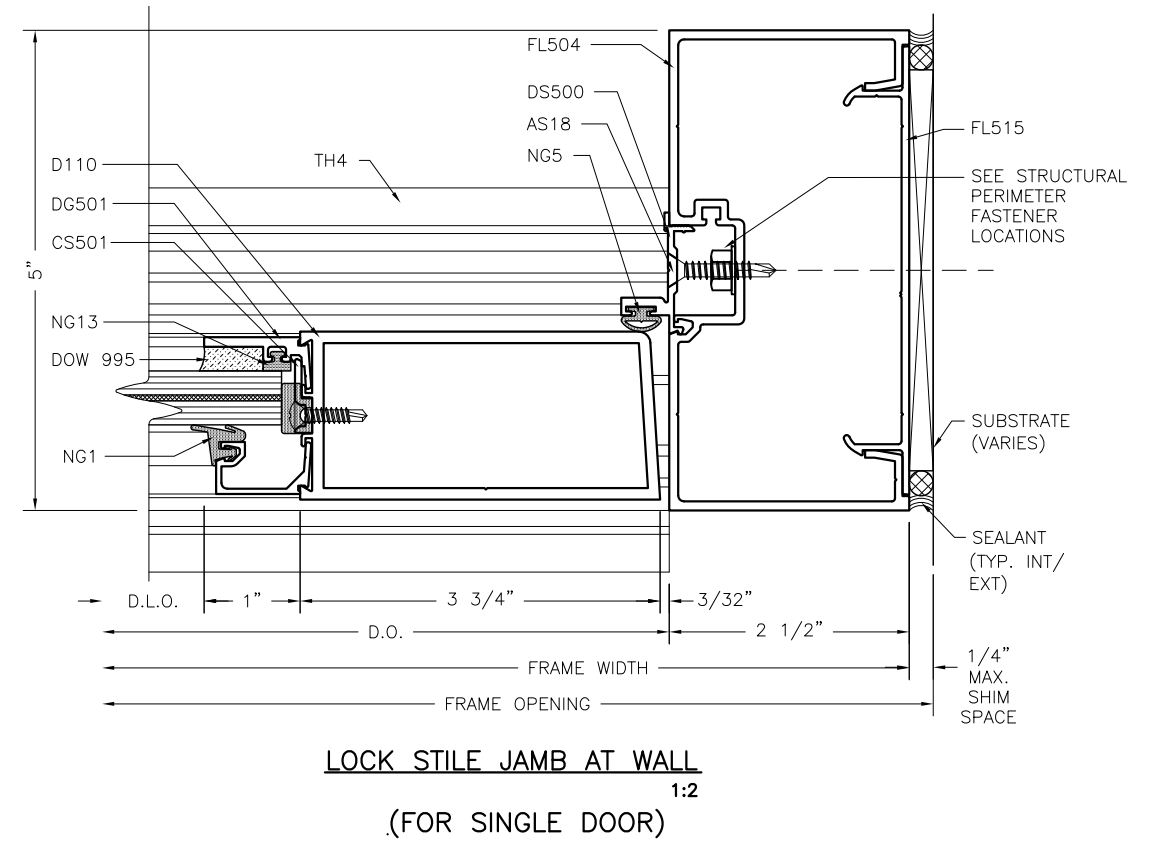
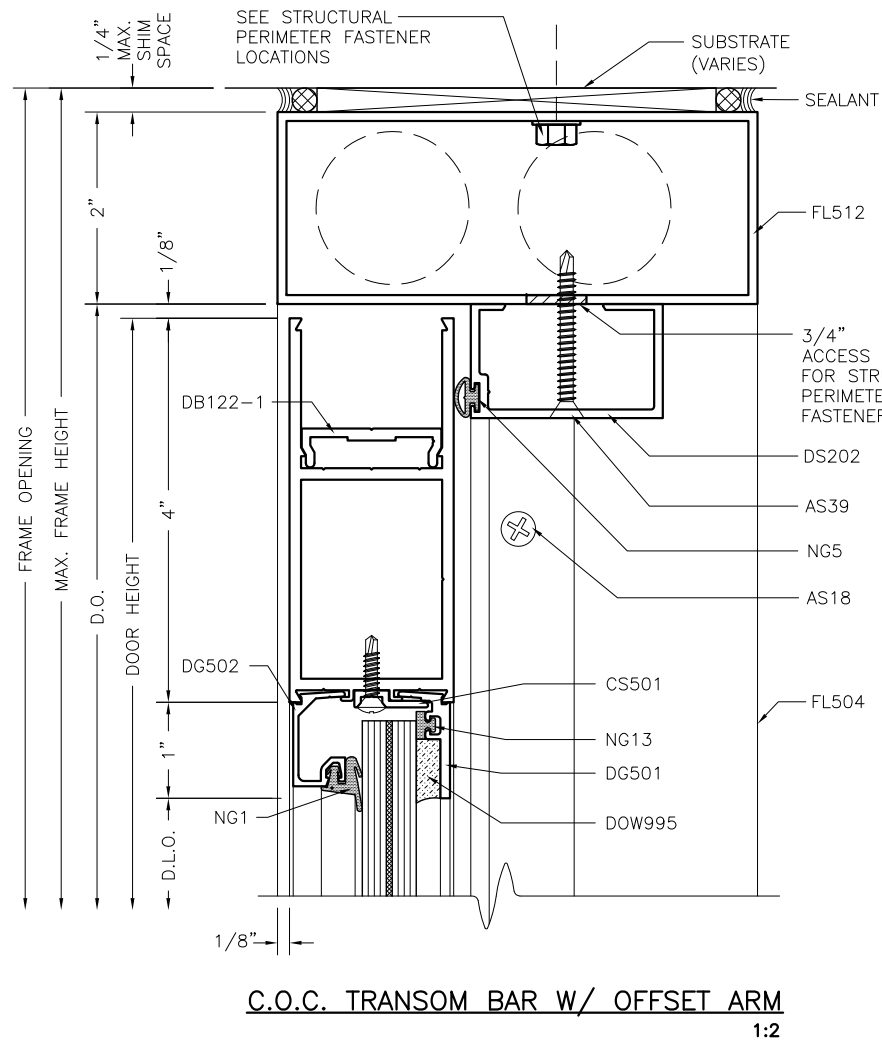
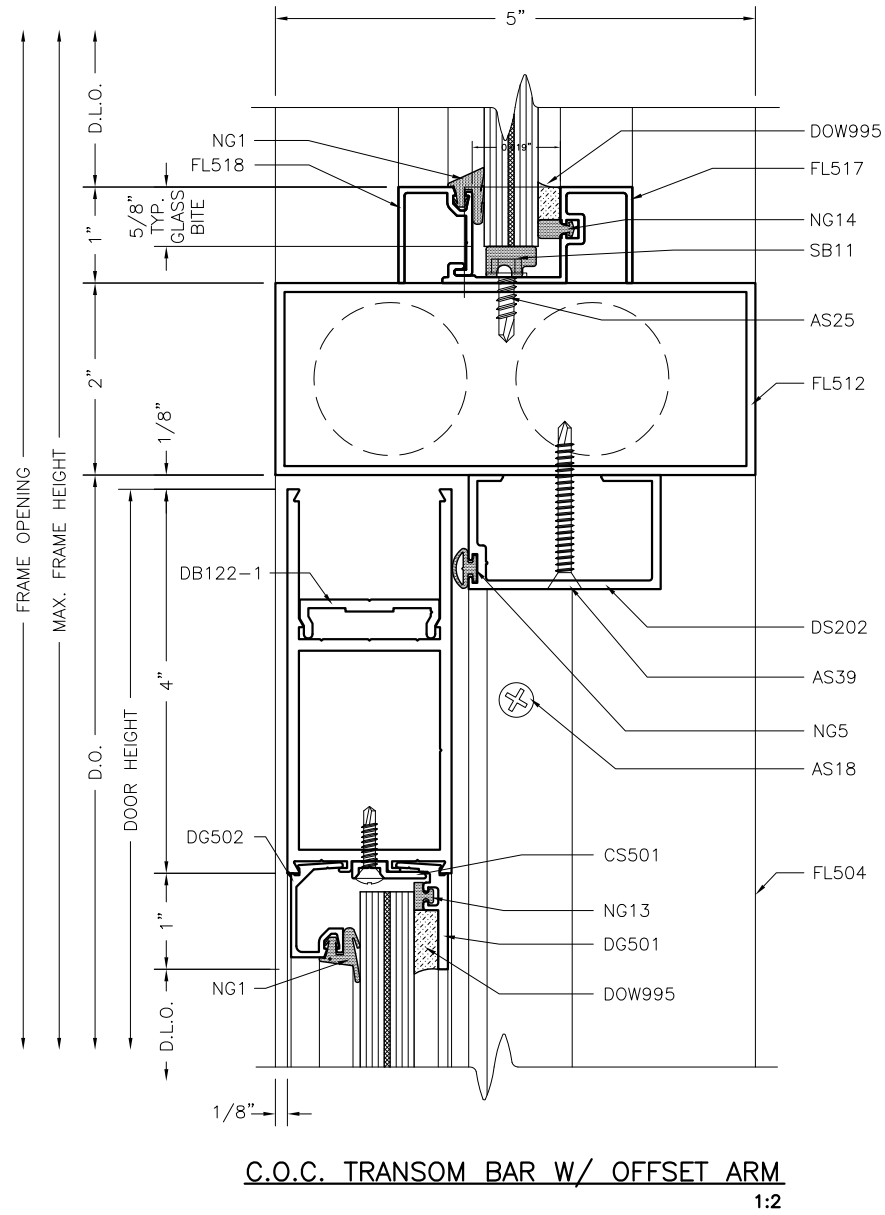


MEETING STILES
1:2

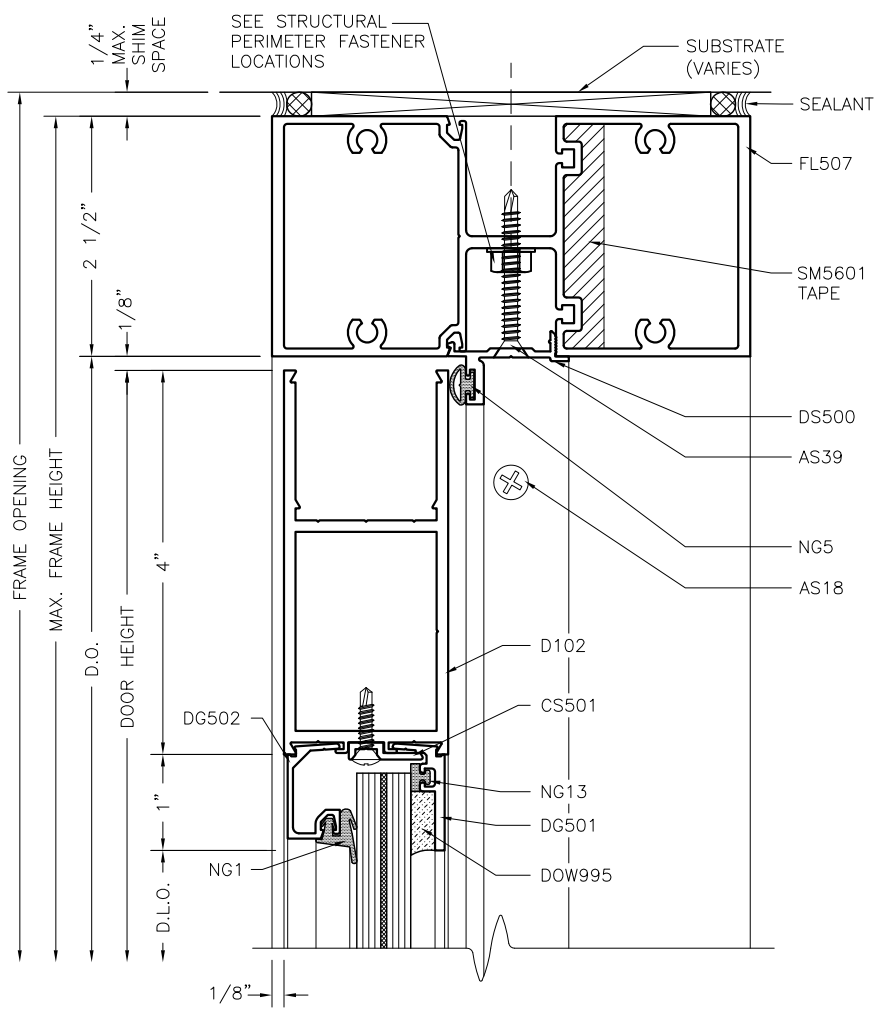


TRANSOM DOOR JAMB AT WALL
1:2

ARCHITECTURAL DETAILS: FL500 (WET GLAZED)

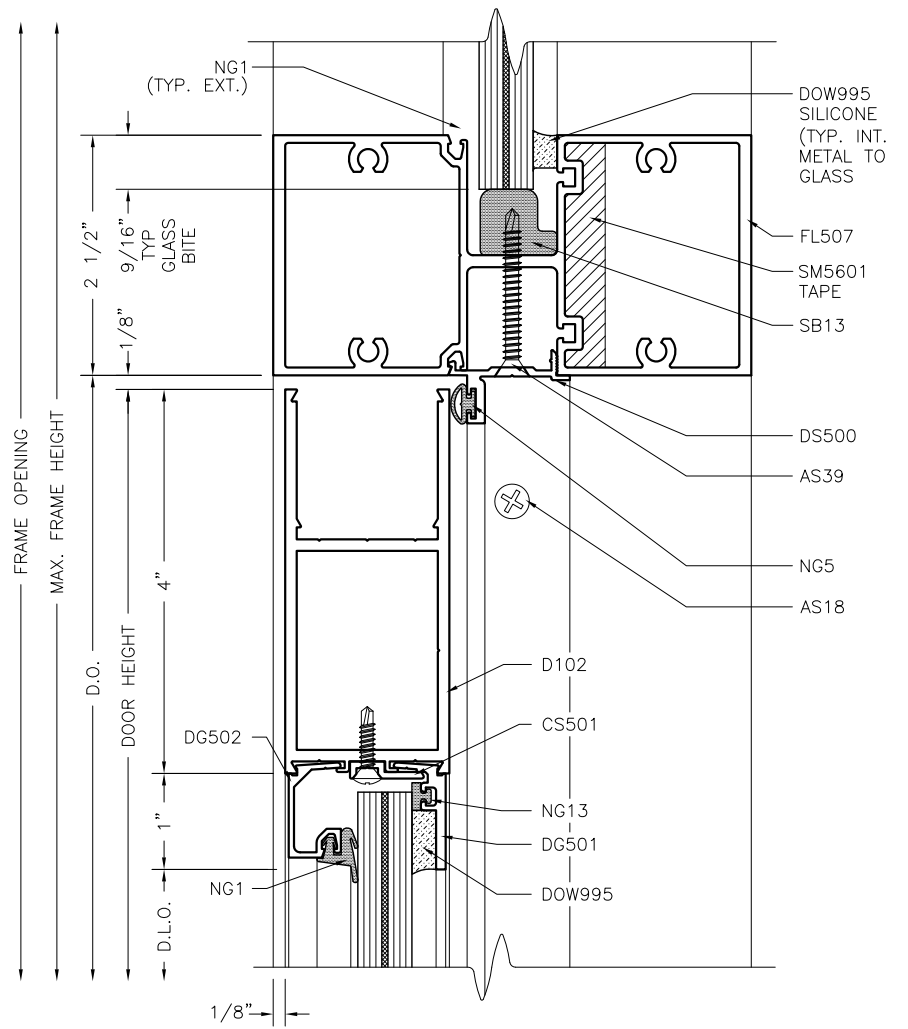


ARCHITECTURAL DETAILS: FL500 (WET GLAZED)



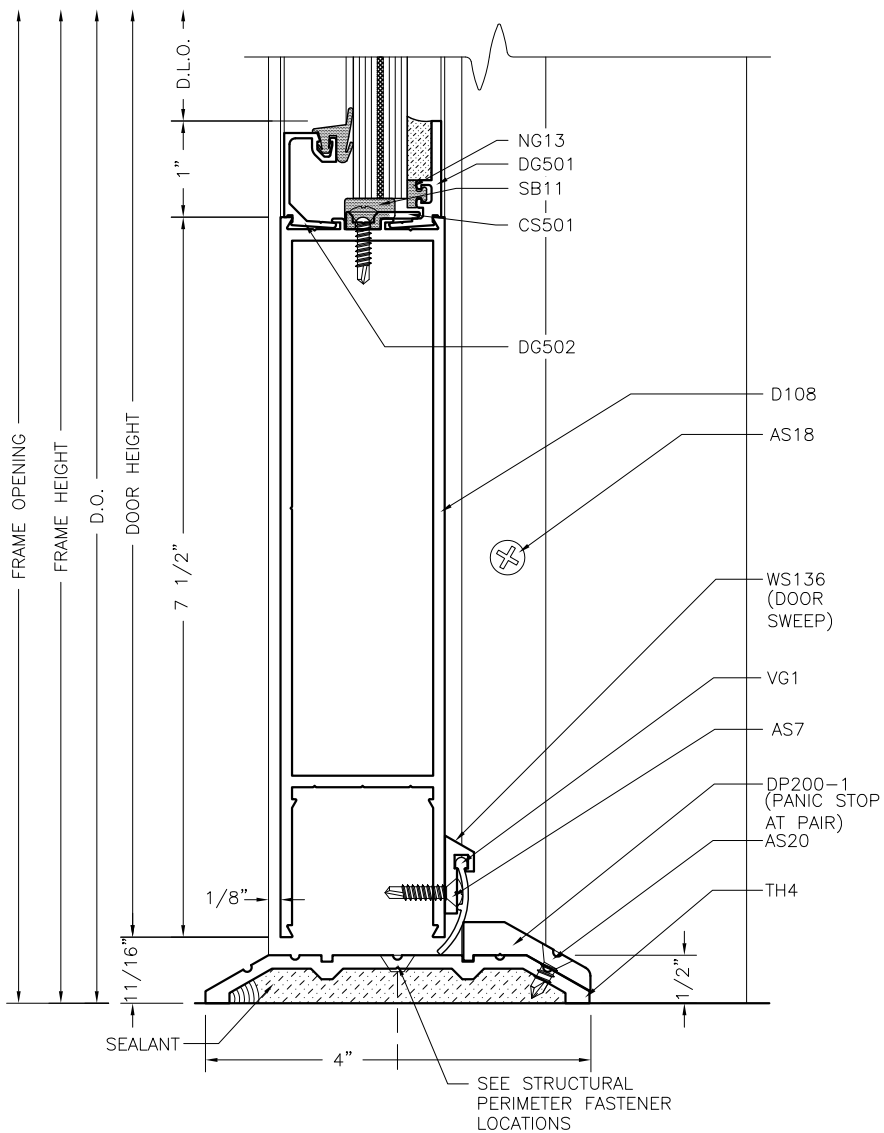
DOOR FRAME HEADER—BUTT HUNG—SURFACE CLOSER

1:2



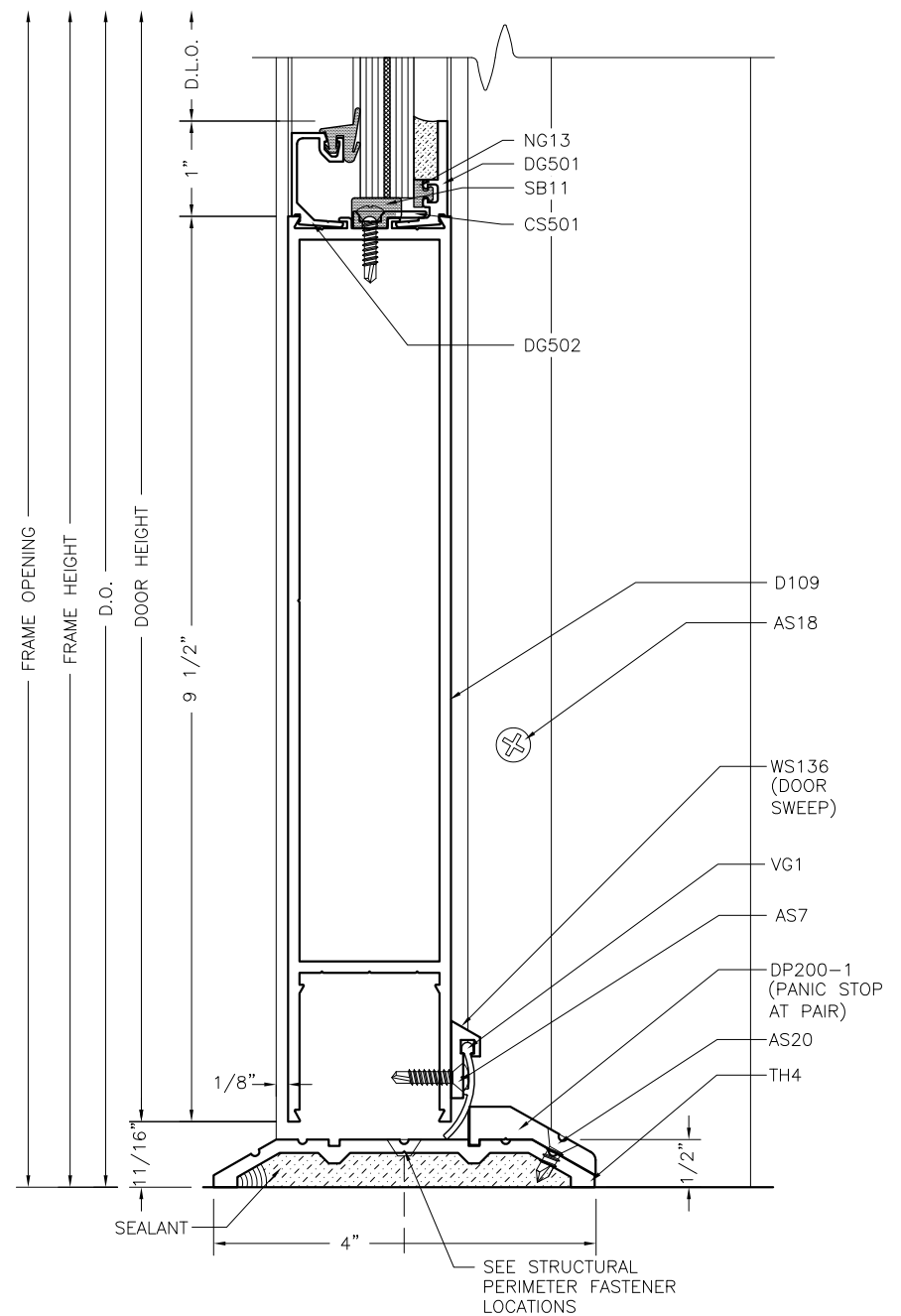
TRANSOM BAR—BUTT HUNG—SURFACE CLOSER

1:2



THRESHOLD

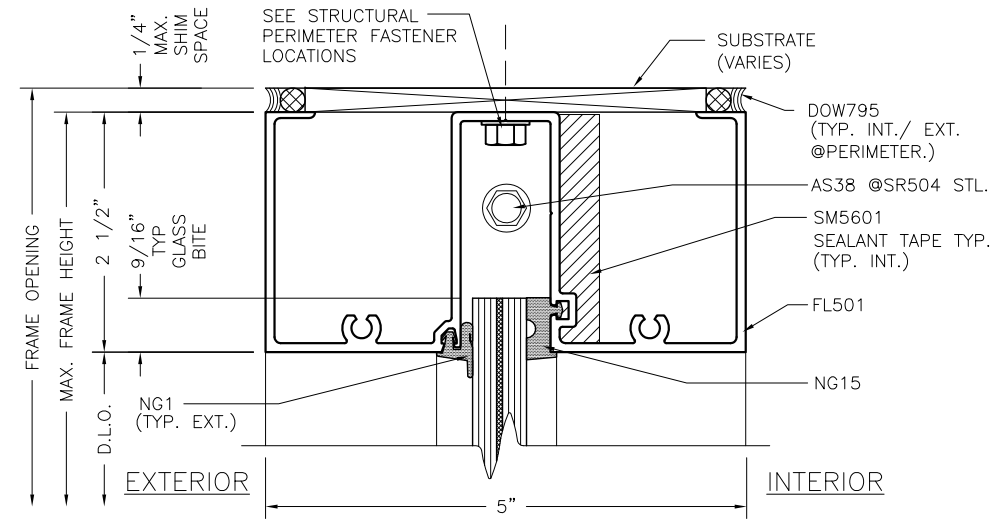
1:2



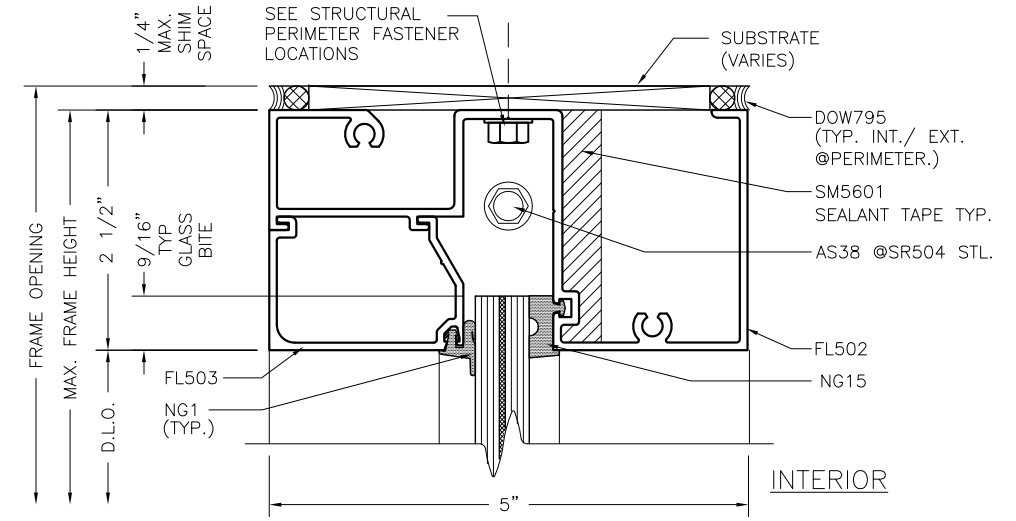
THRESHOLD

1:2

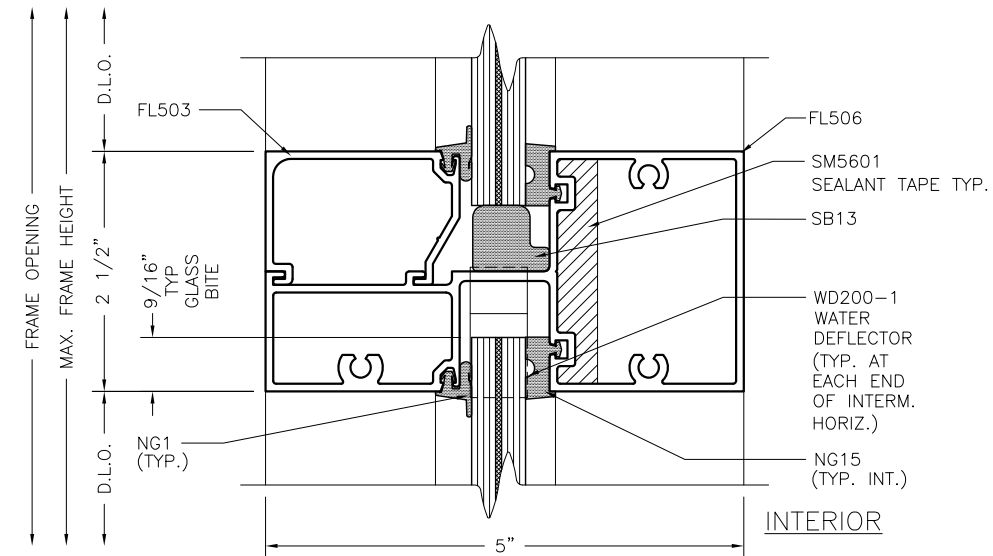
ARCHITECTURAL DETAILS: FL500 (DRY GLAZED)



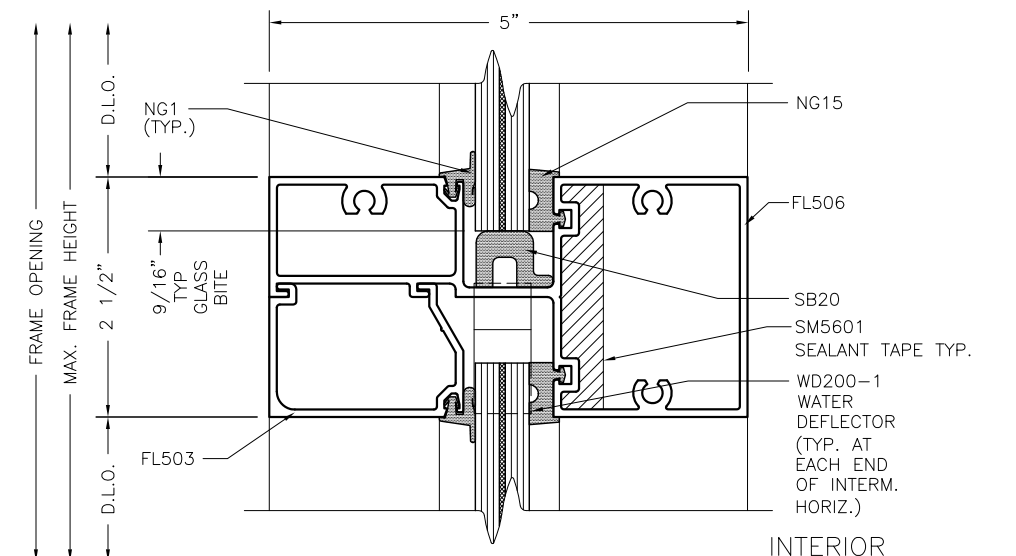
STANDARD HEAD
1:2



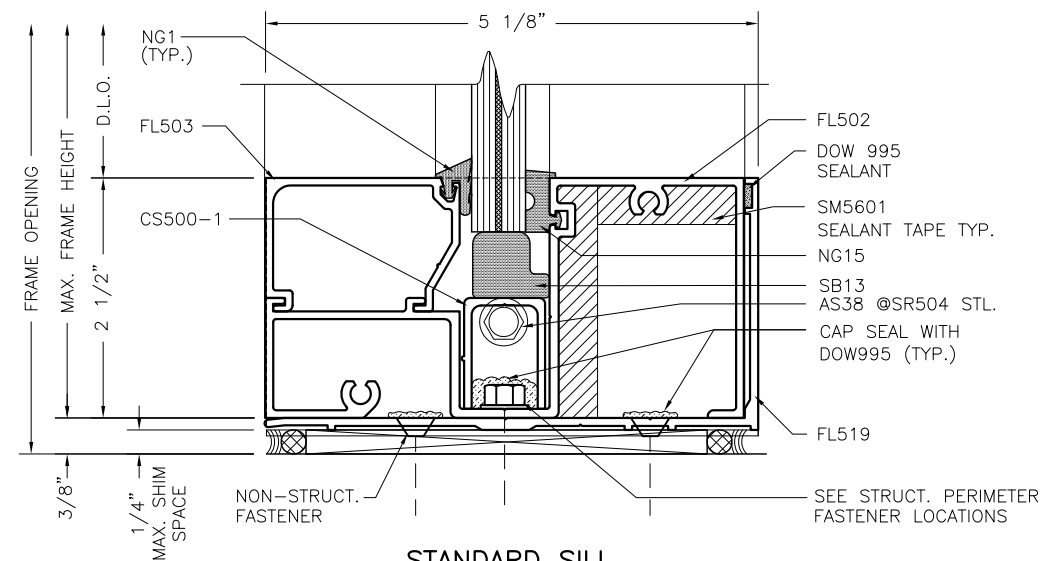
ALTERNATE HEAD
1:2



STANDARD HORIZ. MULLION
1:2

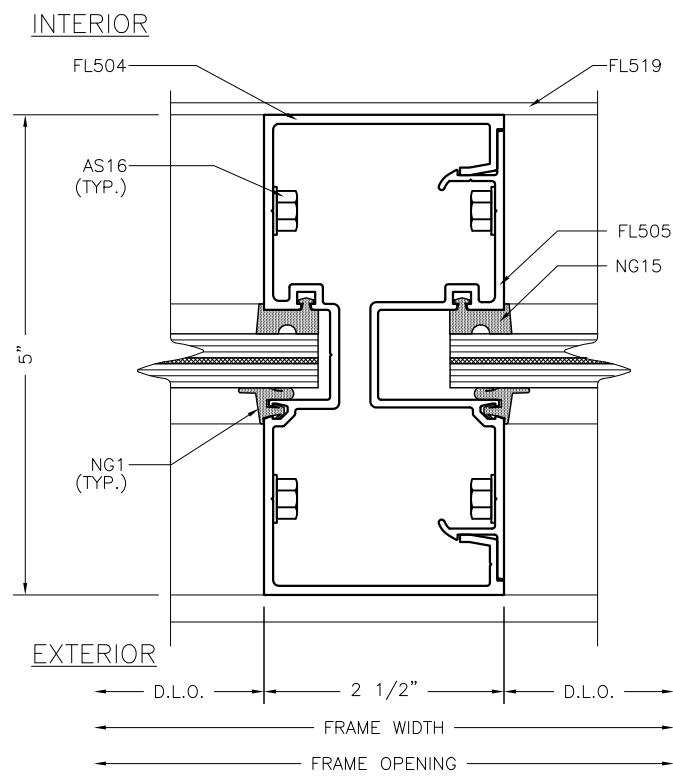


INVERTED HORIZ. MULLION
1:2

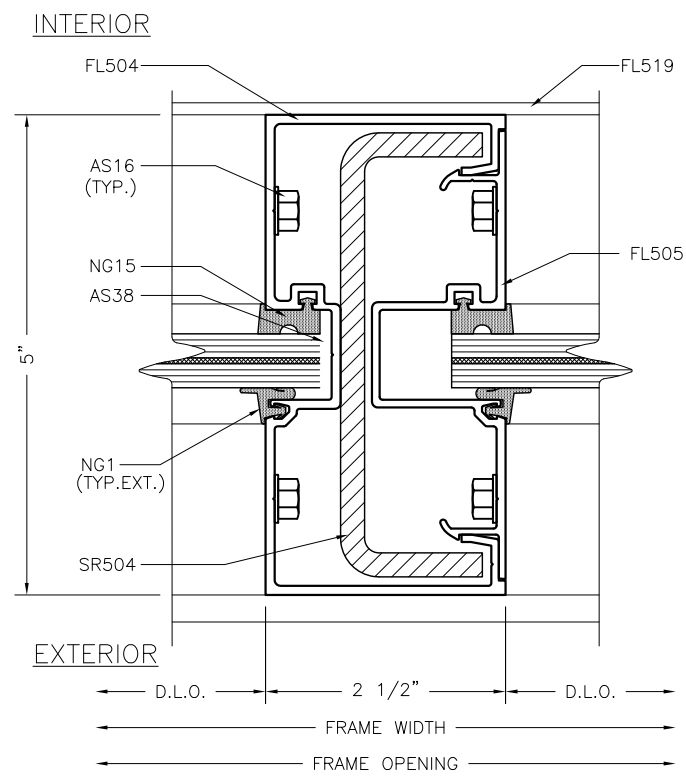


STANDARD SILL
1:2

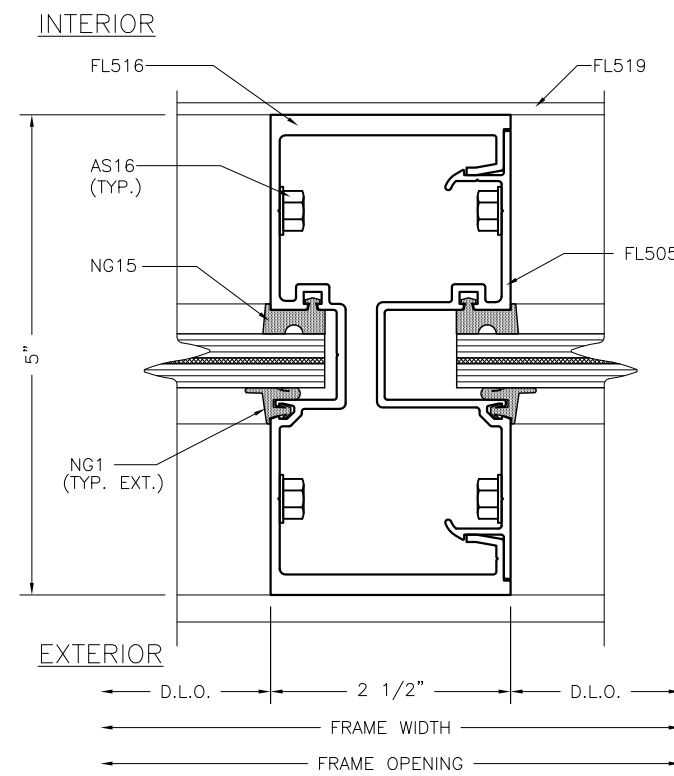
NOTE:
REFERENCE FL550 INSTALLATION INSTRUCTIONS FOR STRUCTURAL PERIMETER FASTENER TYPES AND LOCATIONS FOR CONCRETE, STEEL, OR WOOD SUBSTRATES.



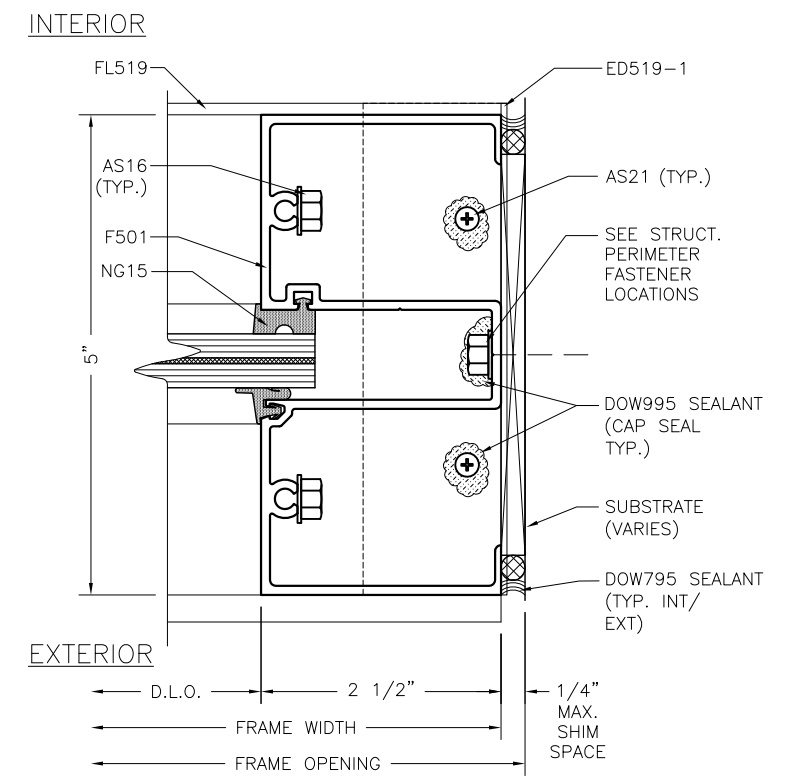
STANDARD VERT. MULLION
1:2



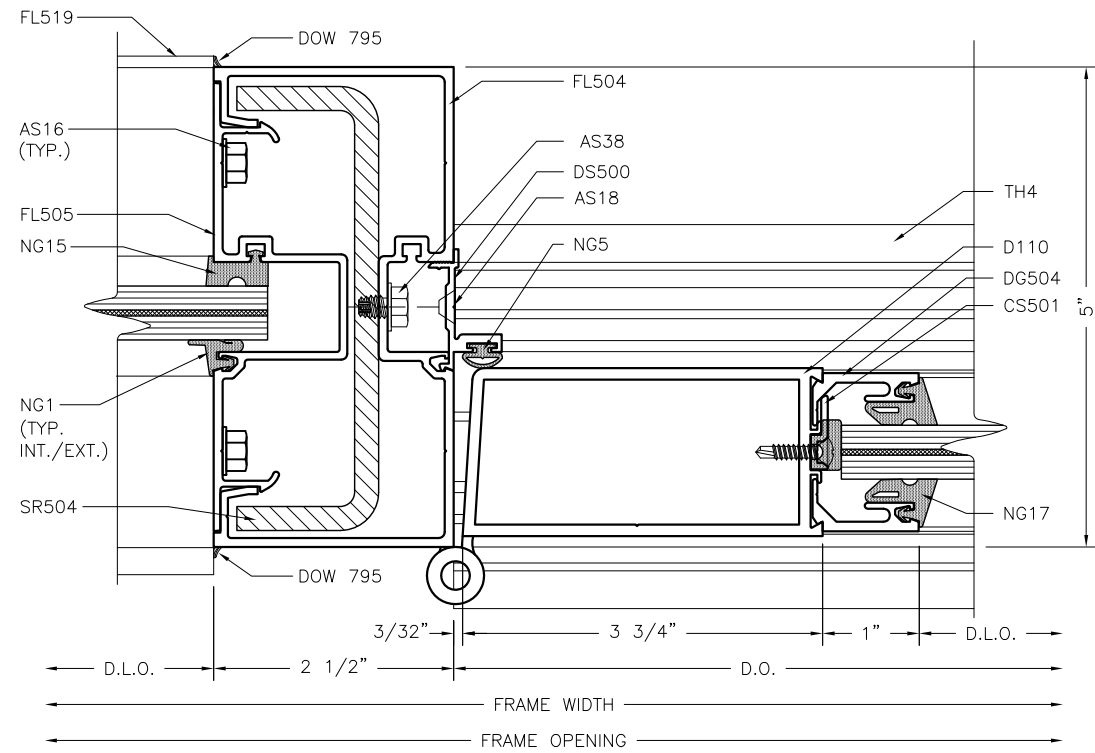
STANDARD VERT. MULLION WITH STEEL
1:2



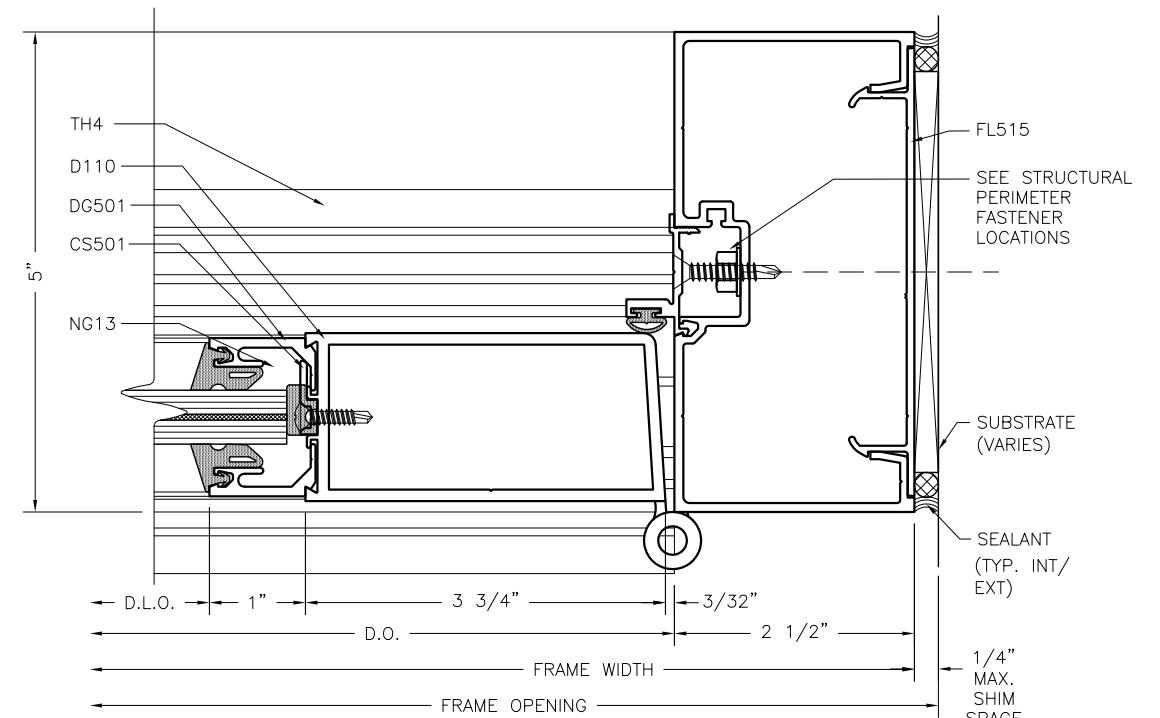
HEAVY VERT. MULLION
1:2



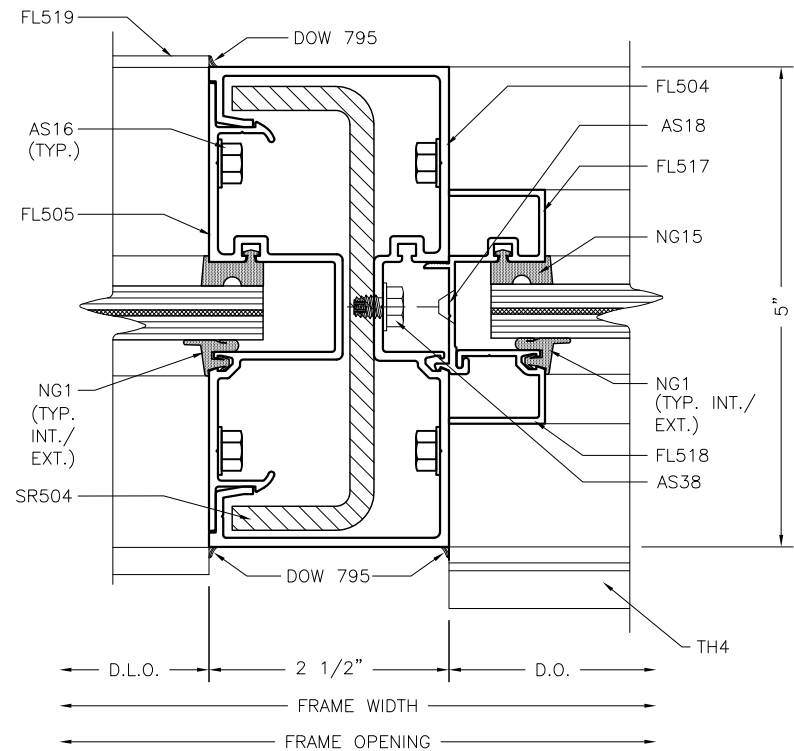
WALL JAMB
1:2



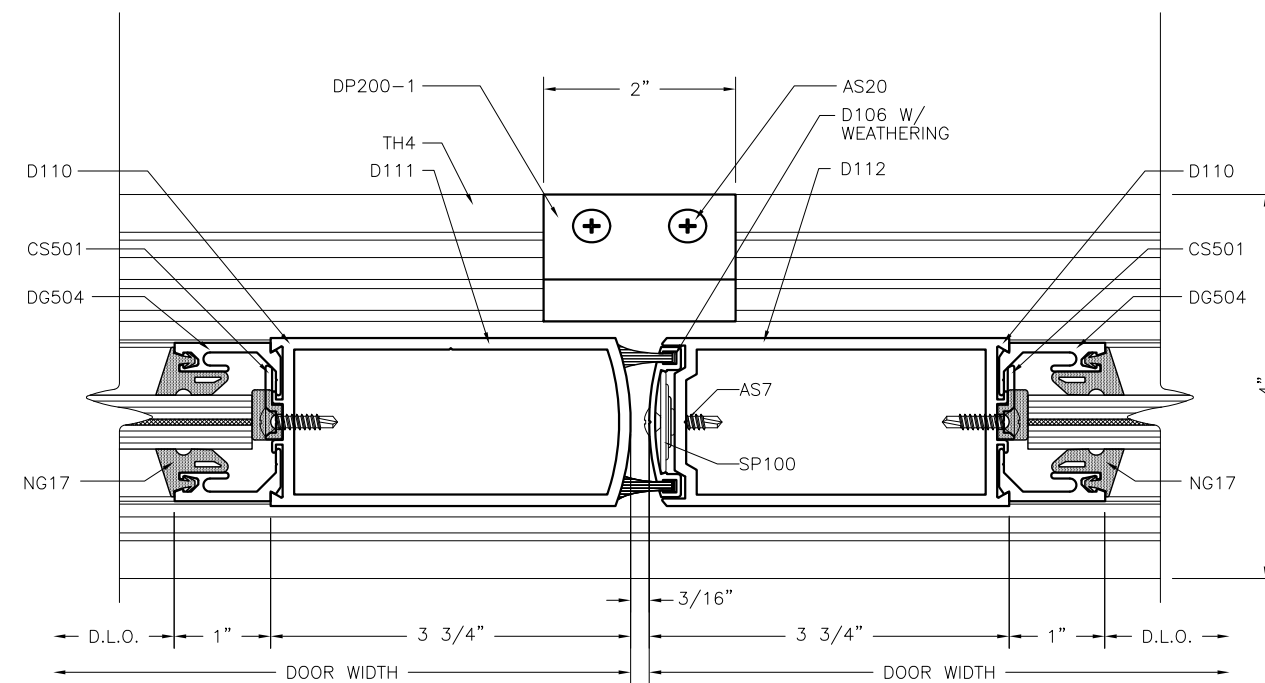
INTERM. DOOR JAMB
1:2



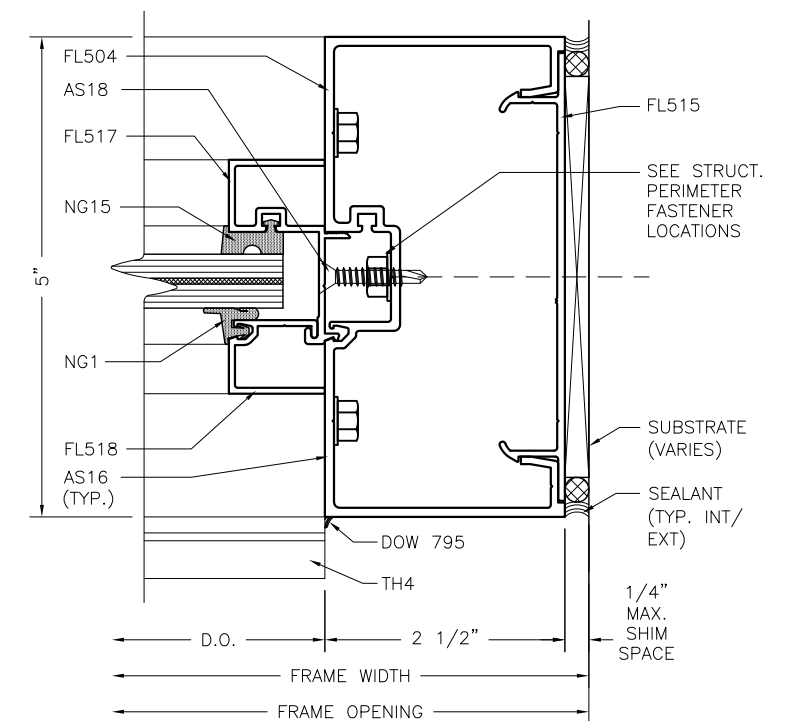
DOOR JAMB AT WALL
1:2



INTERM. DOOR JAMB @ TRANSOM
1:2

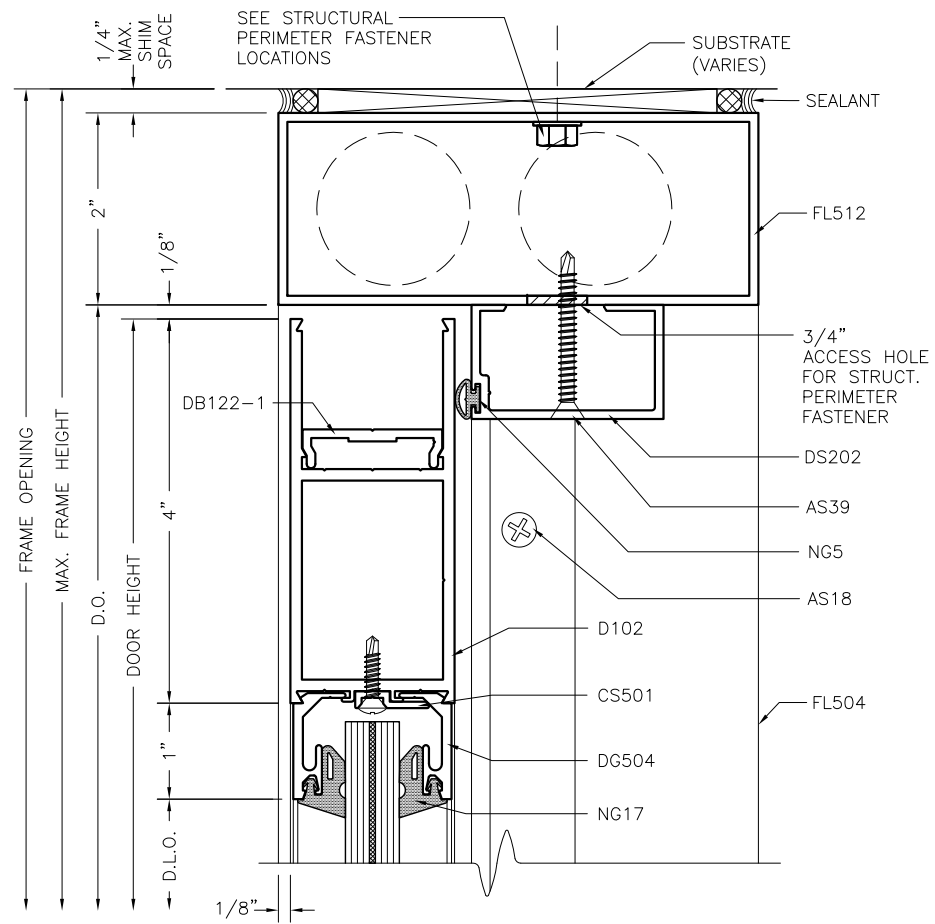


MEETING STILES
1:2

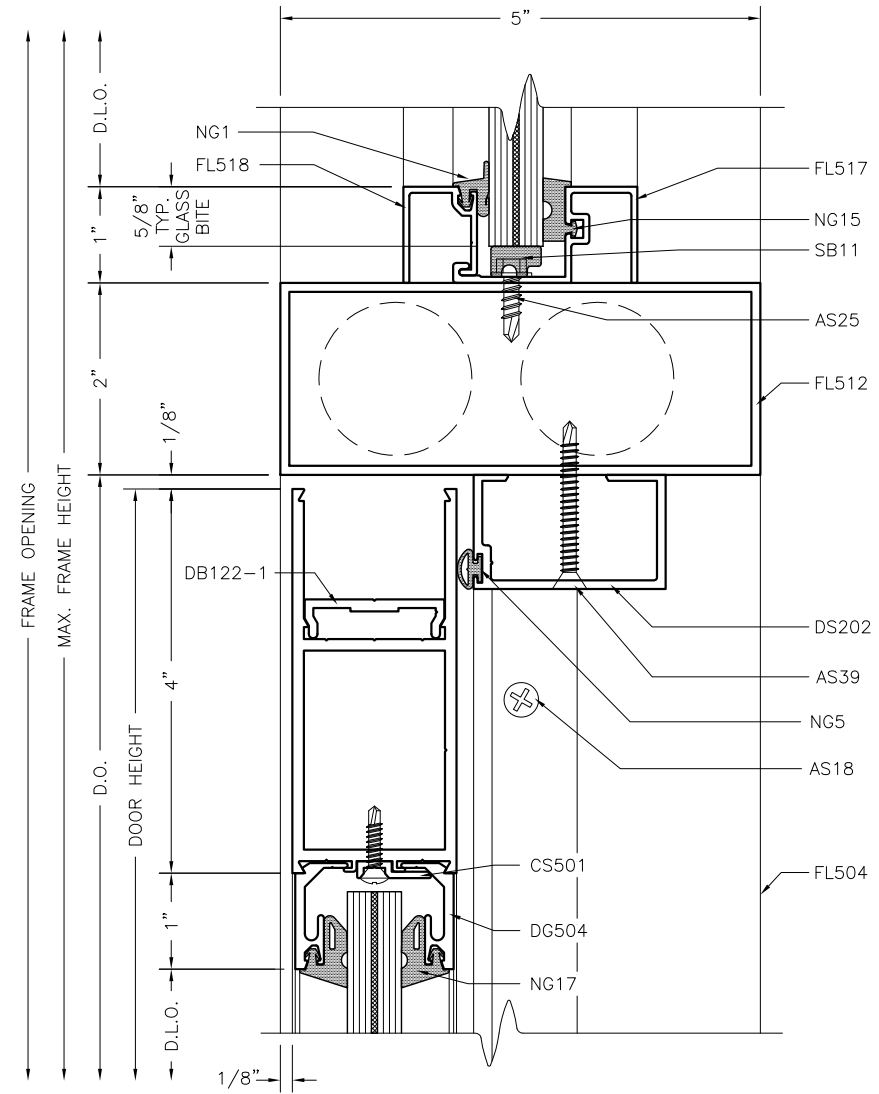


TRANSOM DOOR JAMB AT WALL
1:2

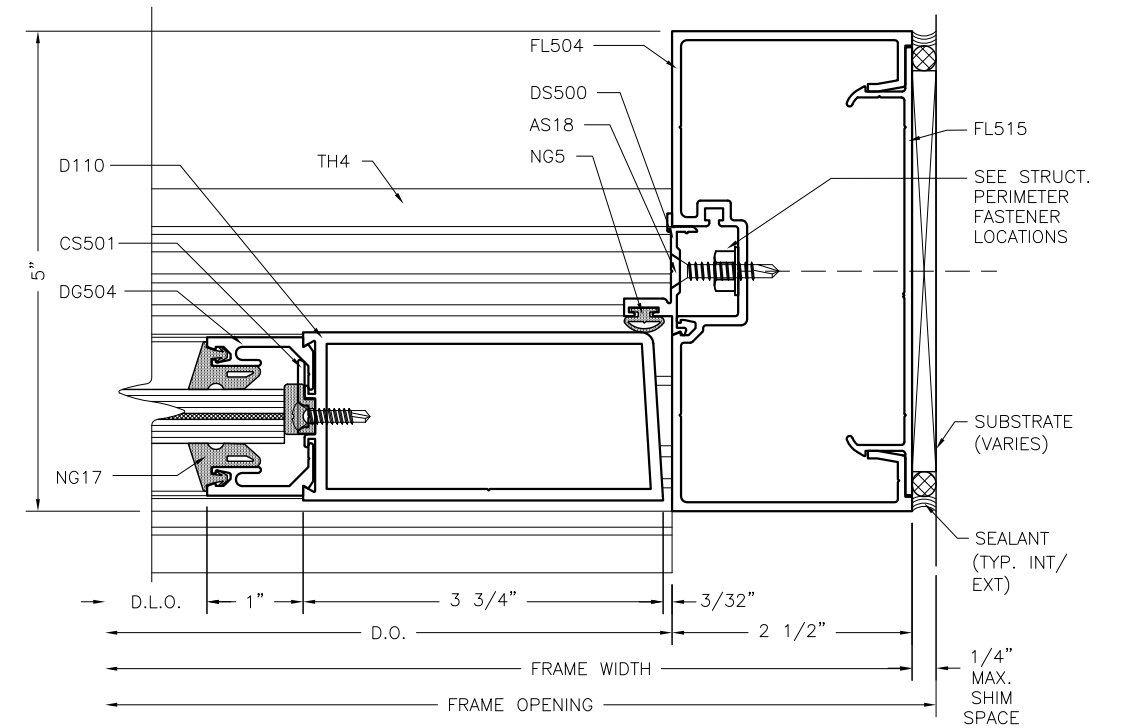
ARCHITECTURAL DETAILS: FL500 (DRY GLAZED)



C.O.C. TRANSOM BAR W/ OFFSET ARM
1:2

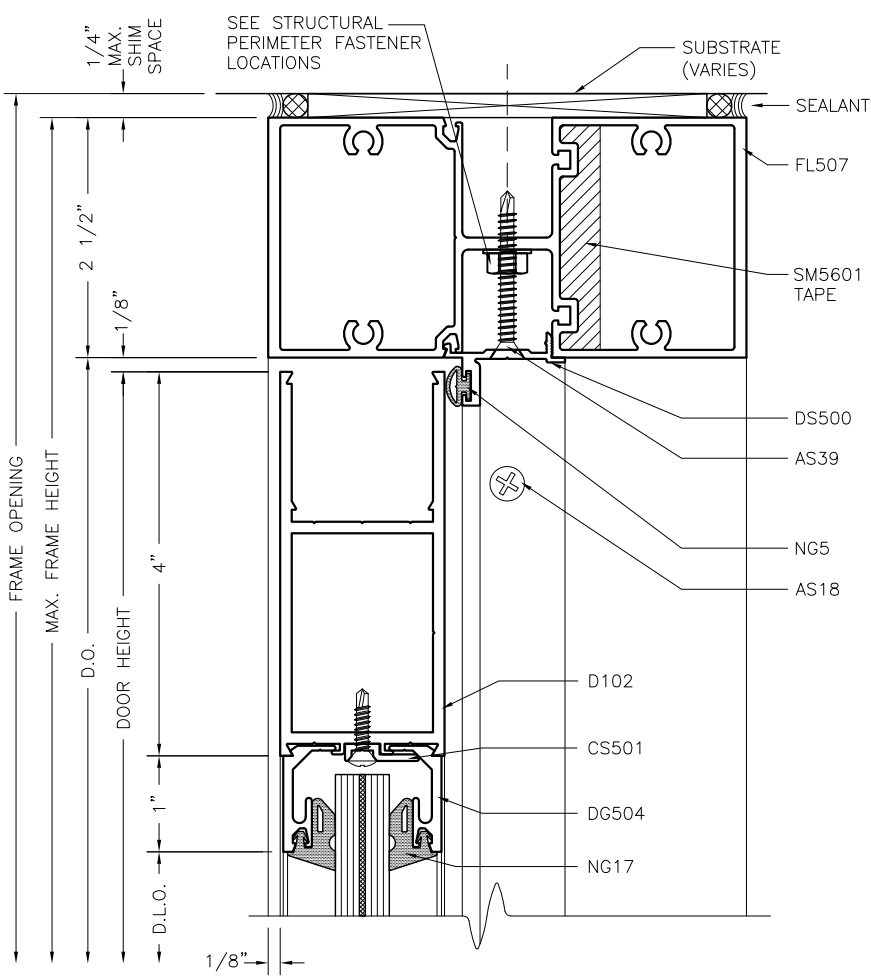


C.O.C. TRANSOM BAR W/ OFFSET ARM
1:2



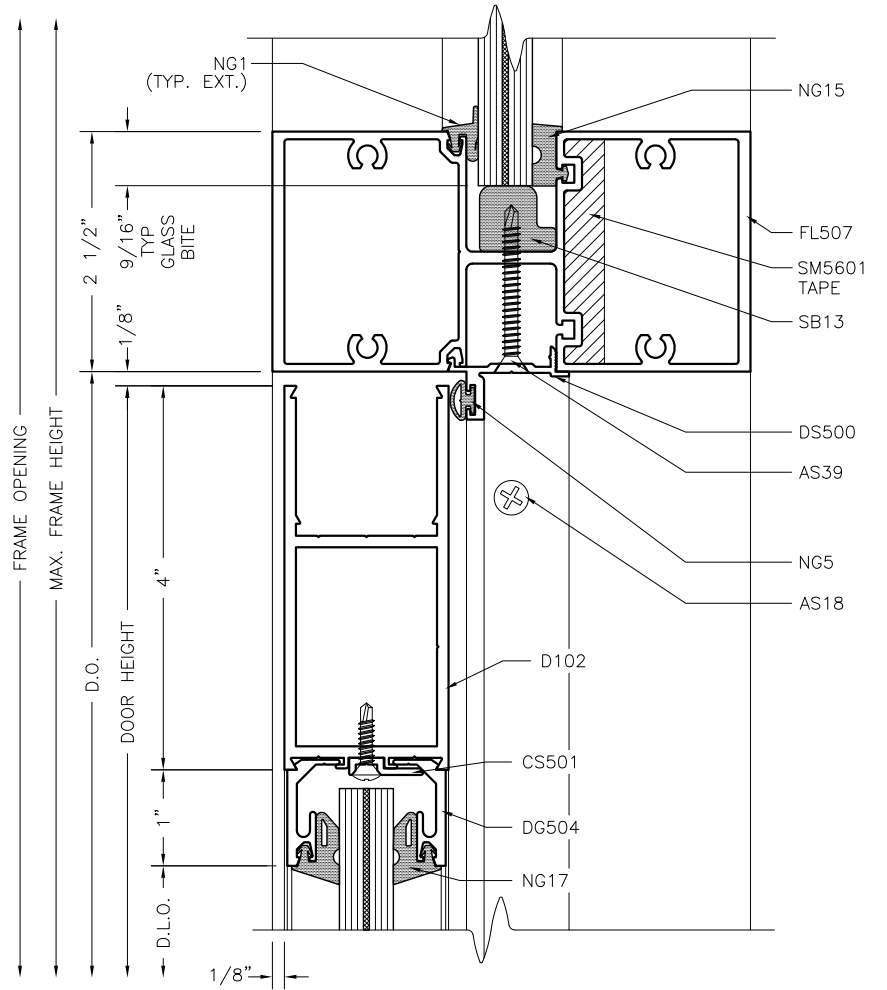
LOCK STILE JAMB AT WALL
1:2
(FOR SINGLE DOOR)

ARCHITECTURAL DETAILS: FL500 (WET GLAZED)



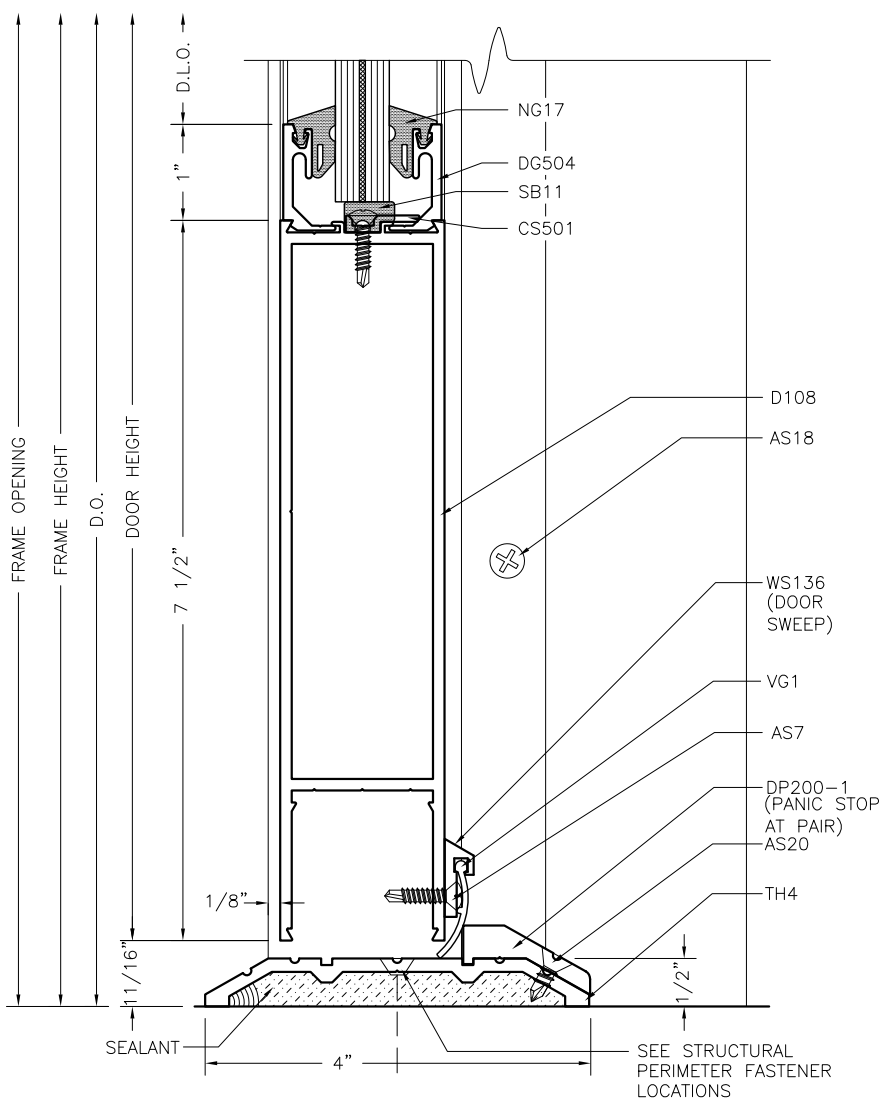
DOOR FRAME HEADER—BUTT HUNG—SURFACE CLOSER

1:2



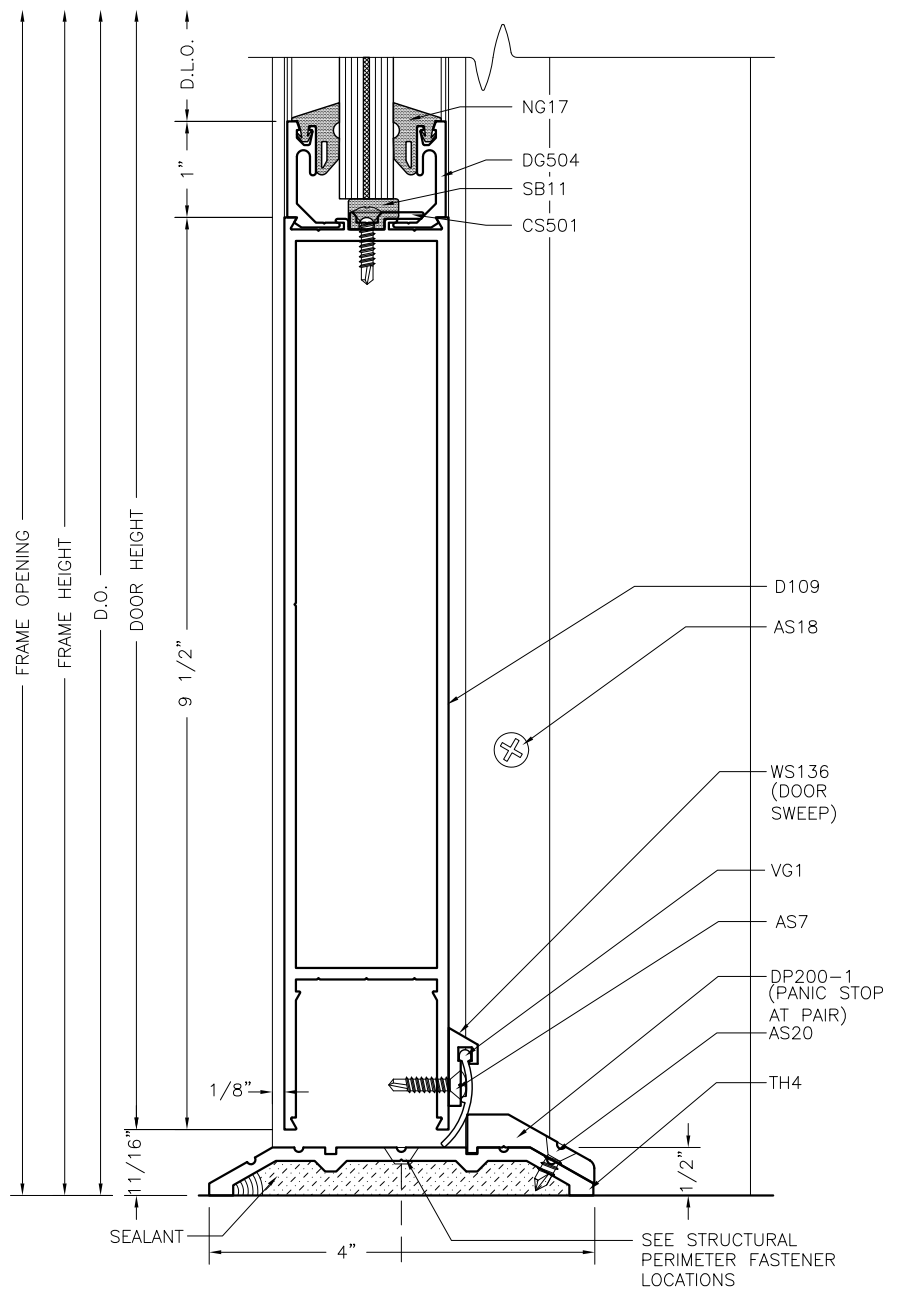
TRANSOM BAR—BUTT HUNG—SURFACE CLOSER

1:2



THRESHOLD

1:2



THRESHOLD

1:2