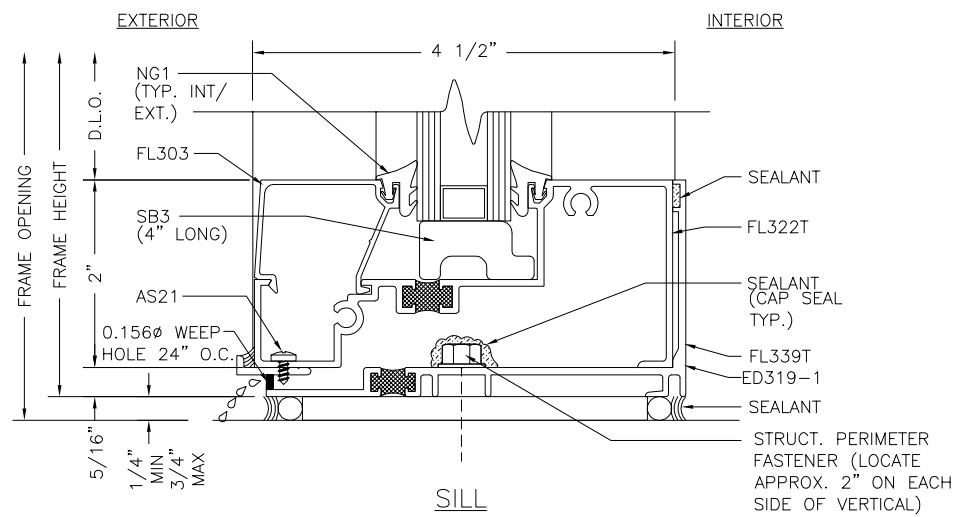
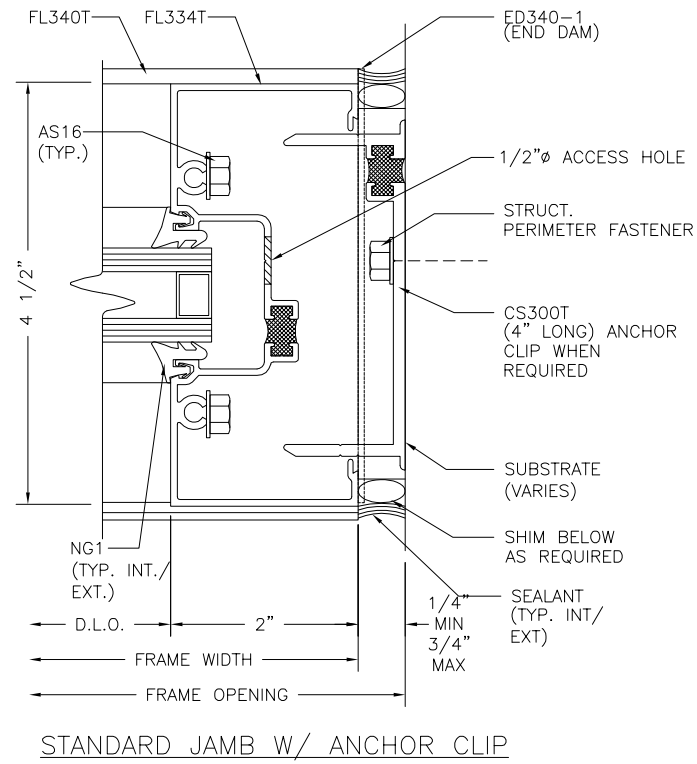
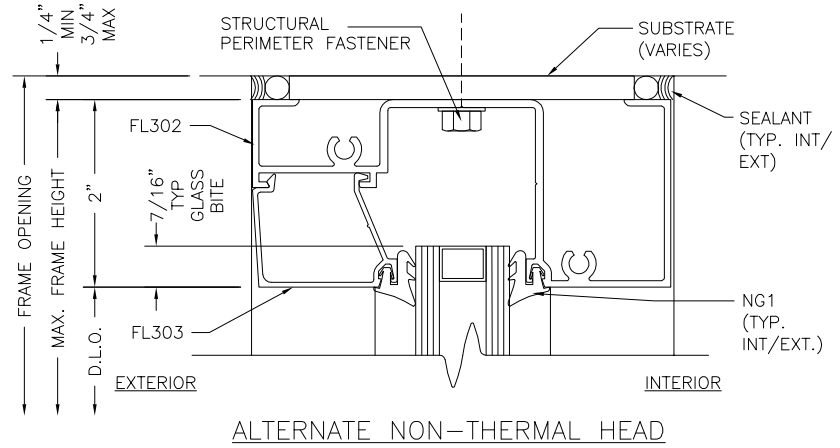
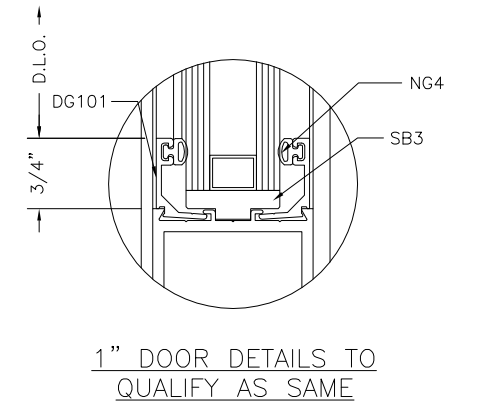
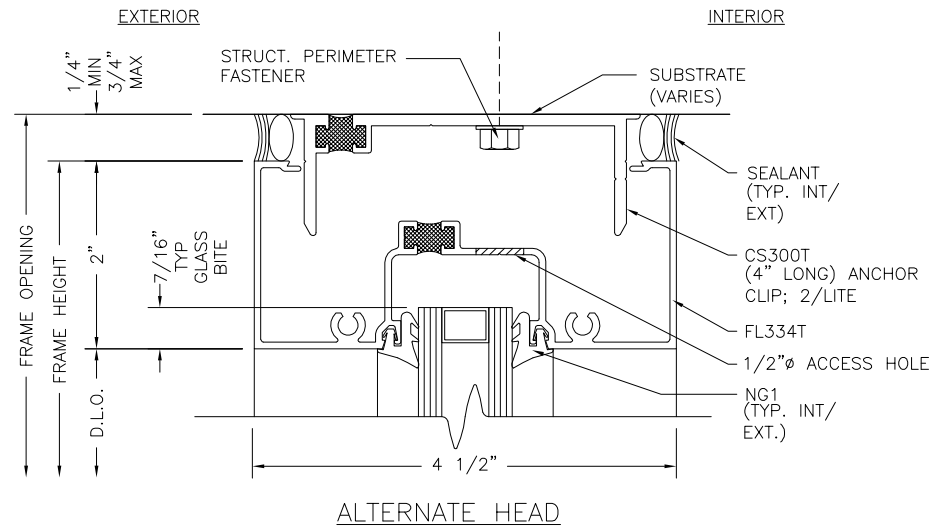
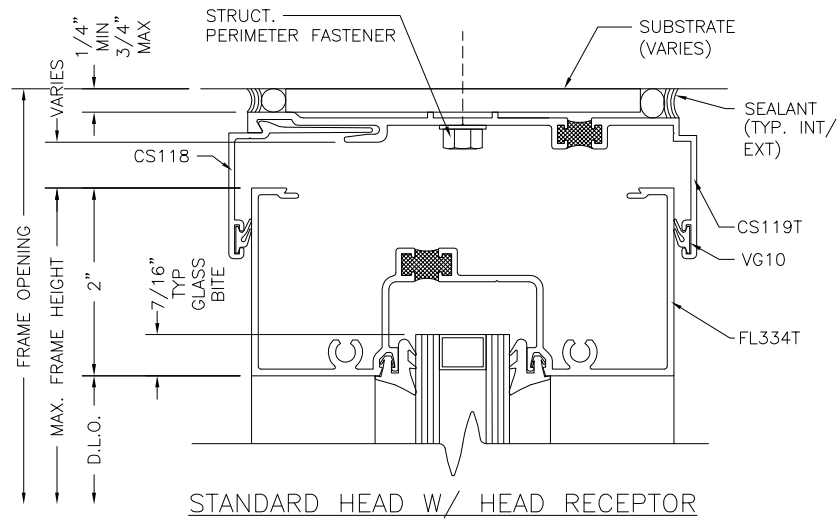
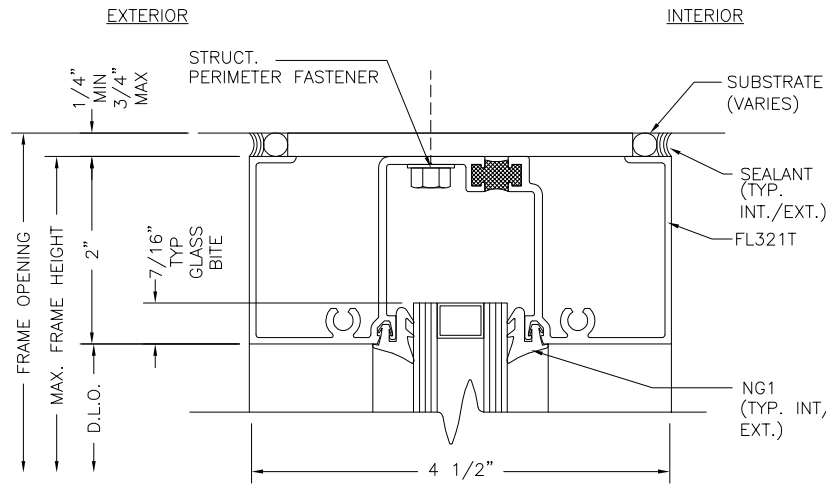


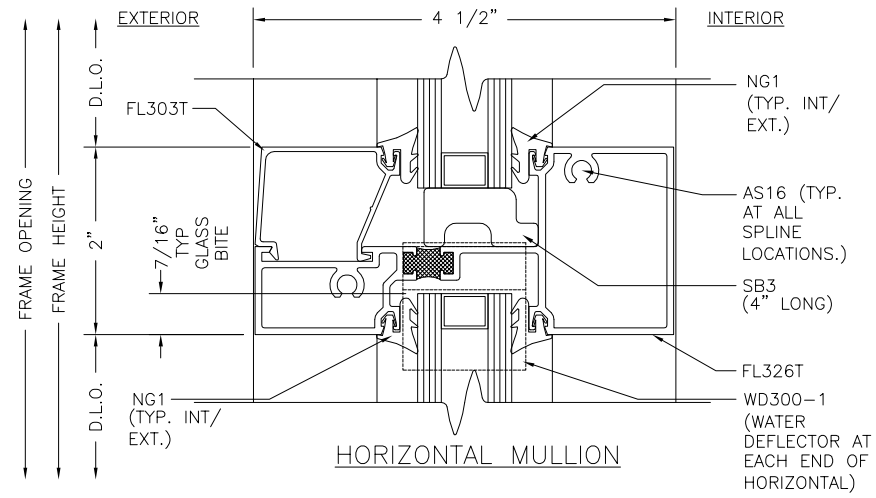
ALT. DETAILS



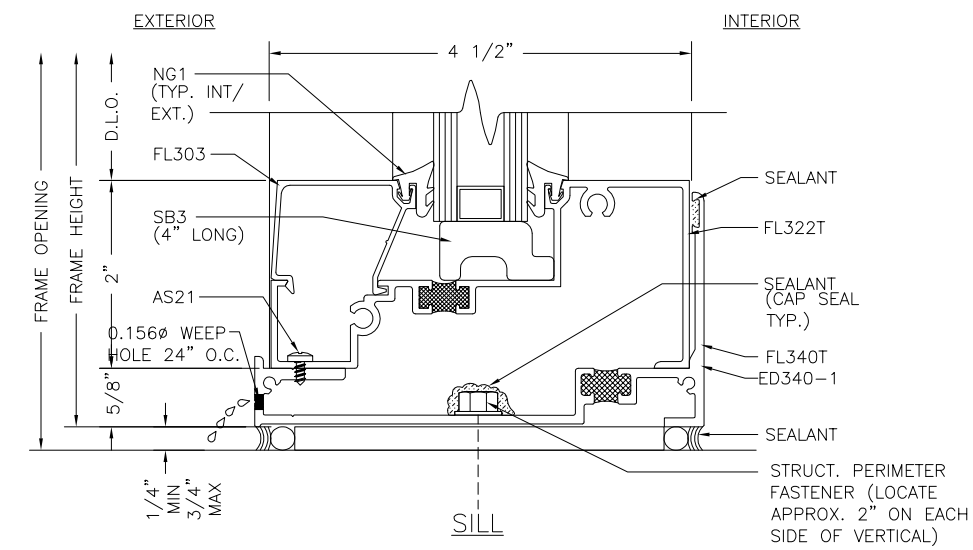
STD. DETAILS



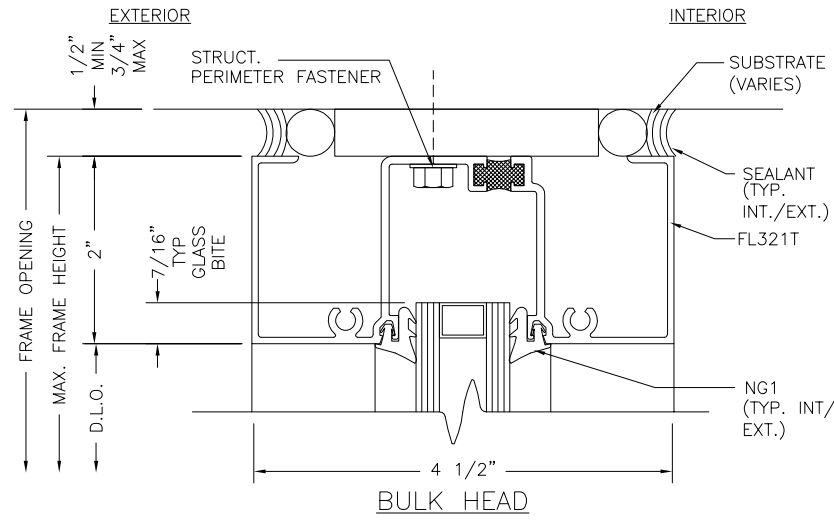
STANDARD HEAD



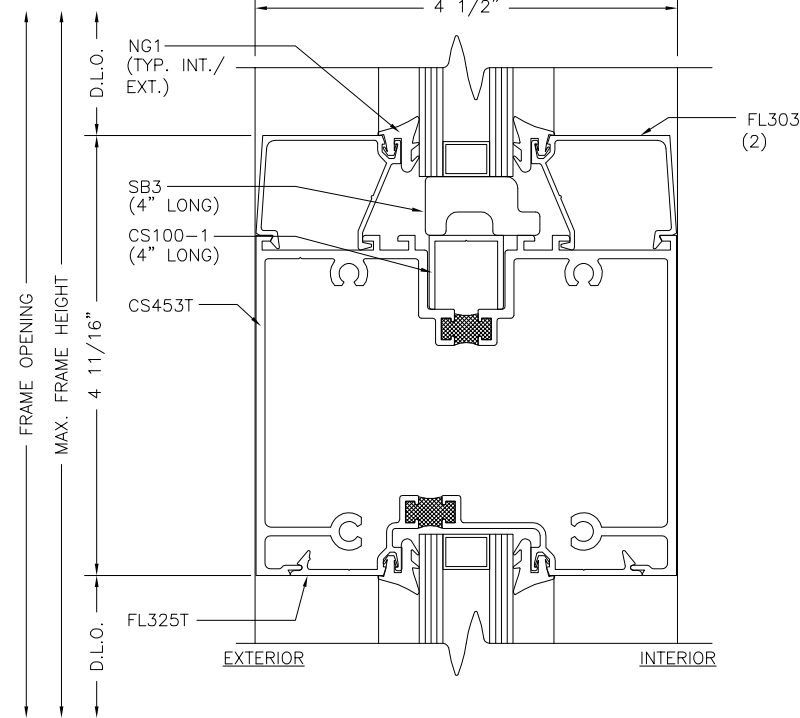
HORIZONTAL MULLION



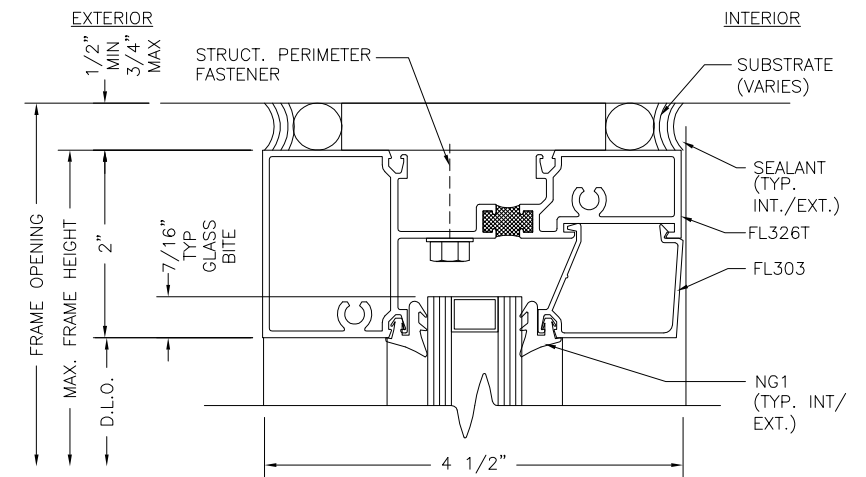
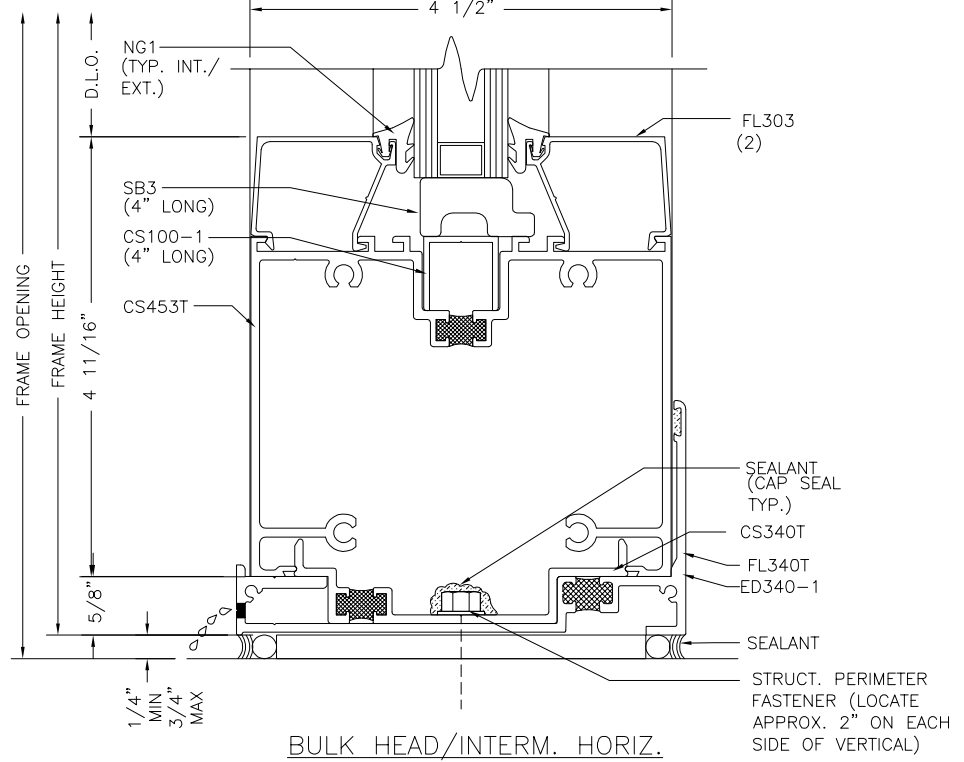
SILL



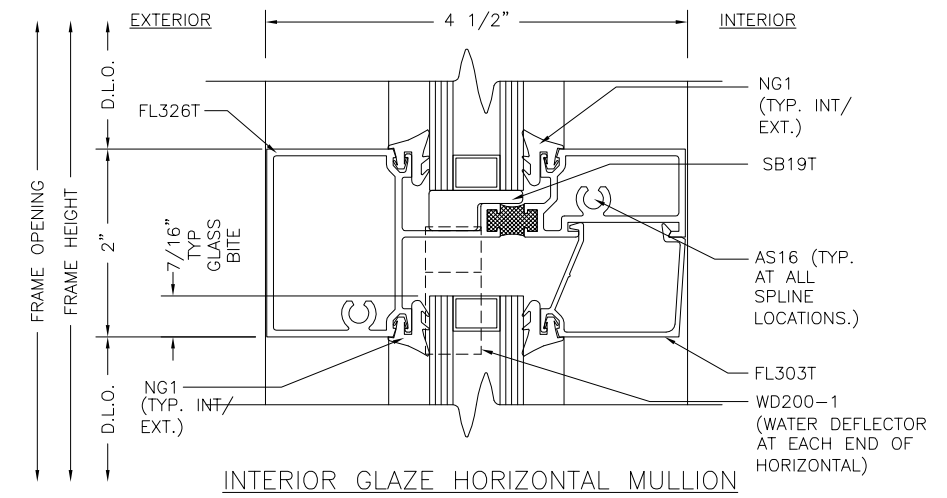
BULK HEAD



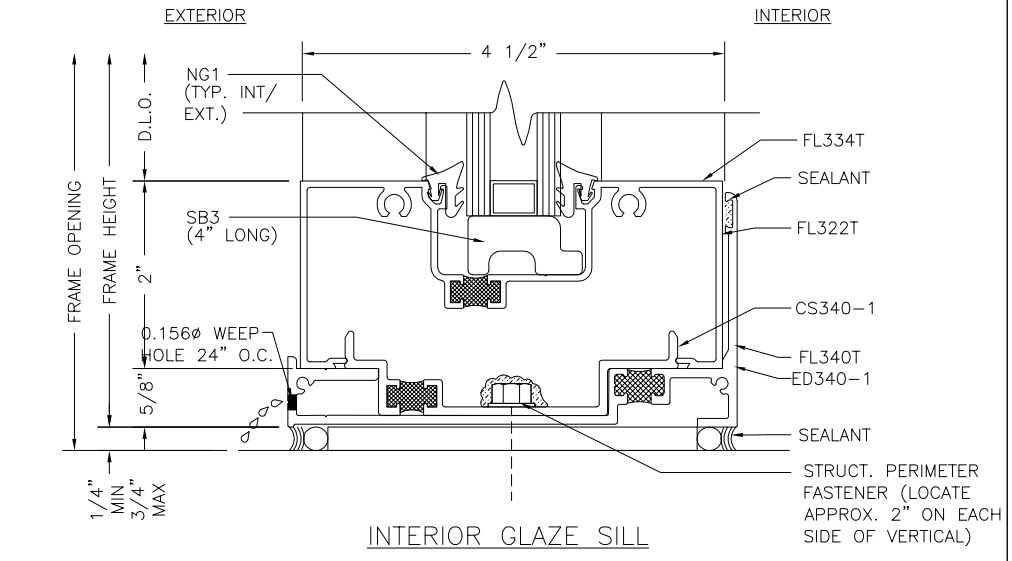
BULK HEAD/INTERM. HORIZ.



INTERIOR GLAZE HEAD

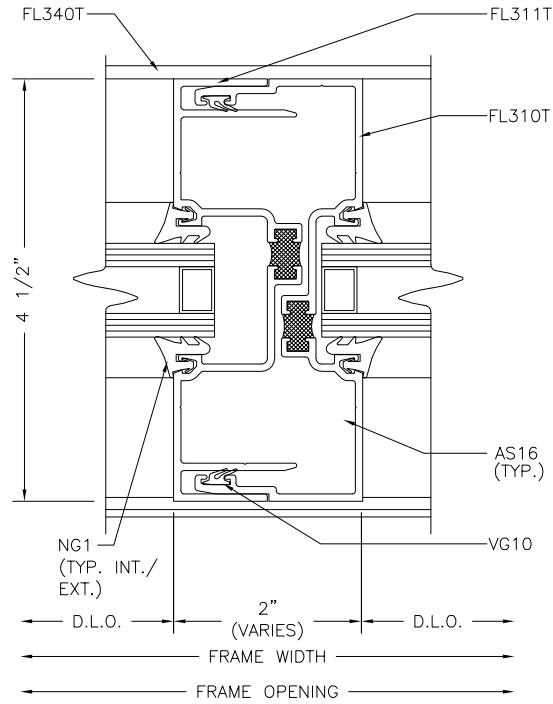


INTERIOR GLAZE HORIZONTAL MULLION

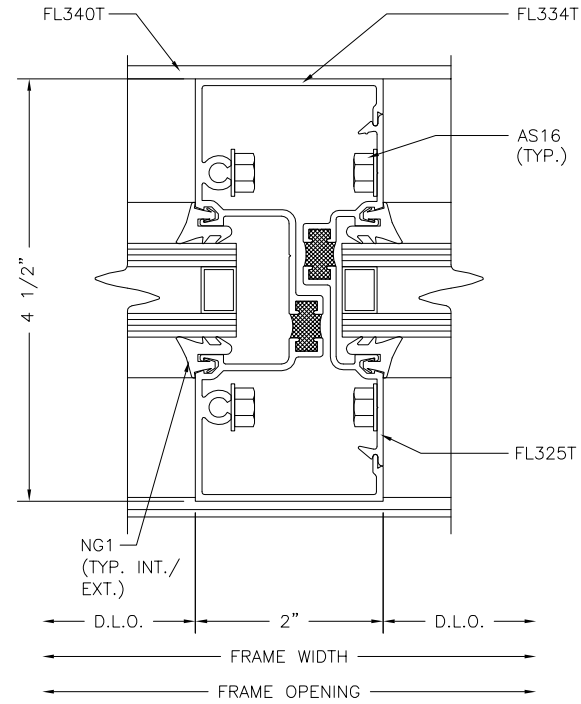


INTERIOR GLAZE SILL

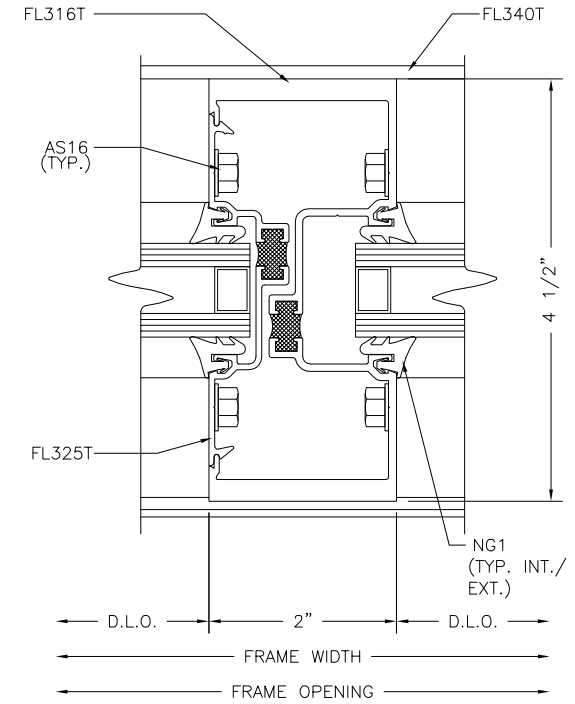
STD. DETAILS



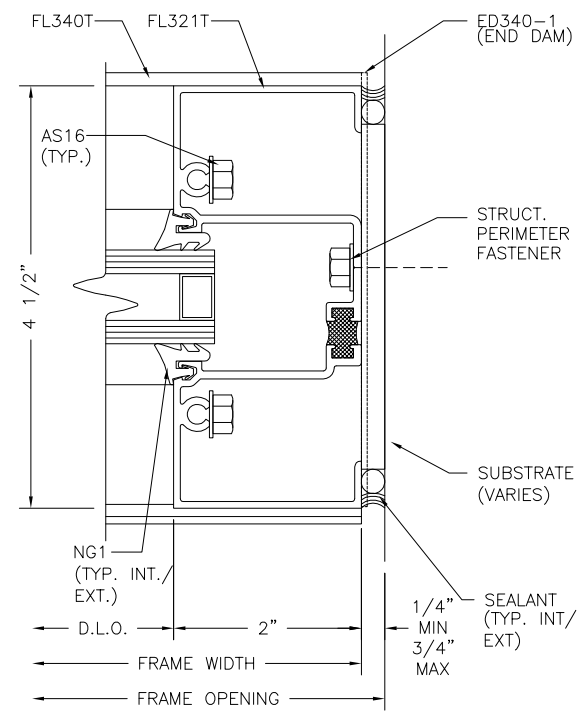
VERTICAL EXPANSION MULLION



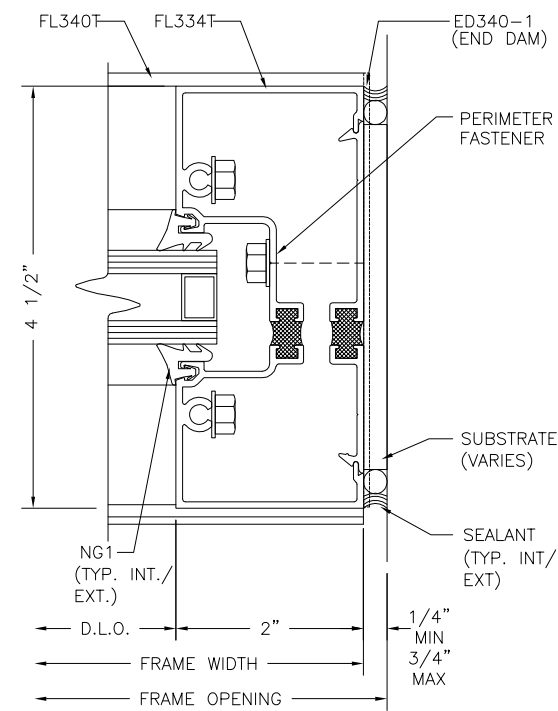
STANDARD VERTICAL MULLION



HEAVY VERTICAL MULLION

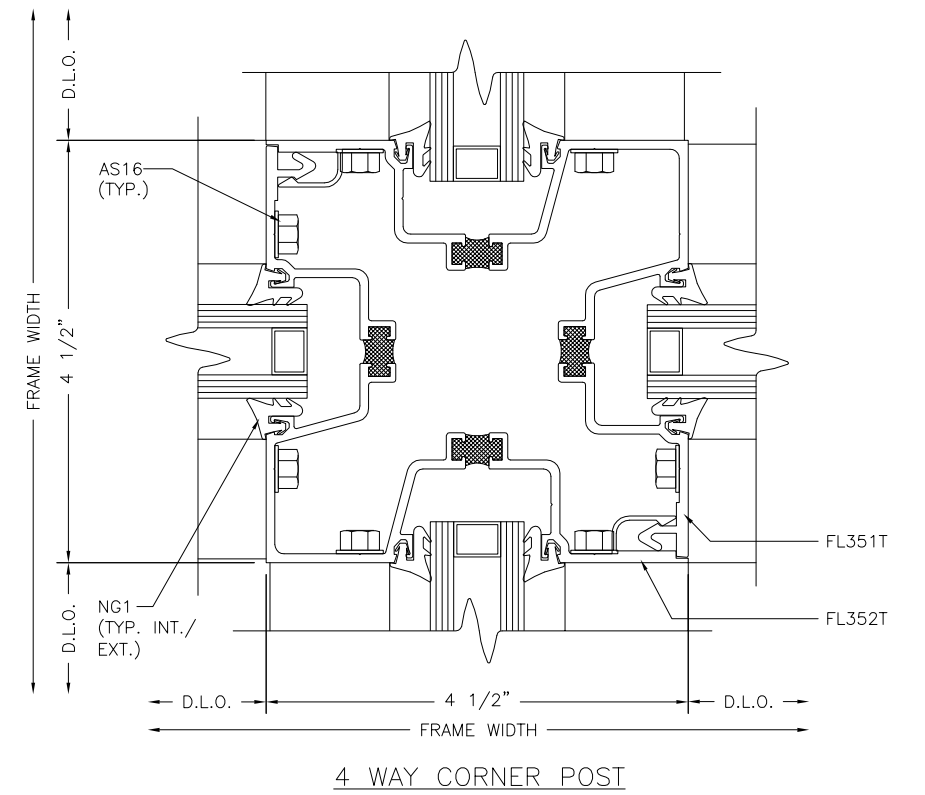
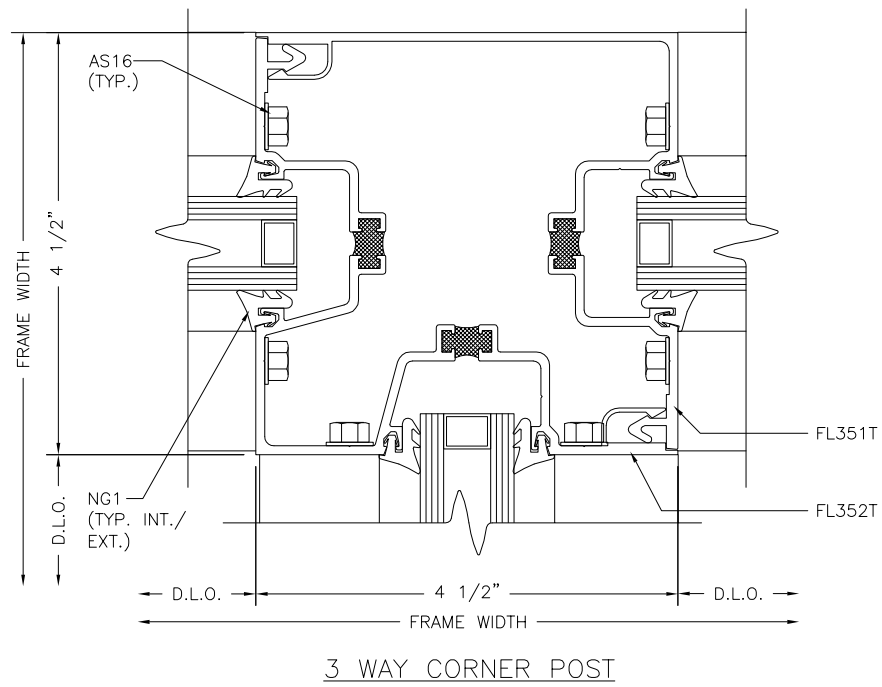
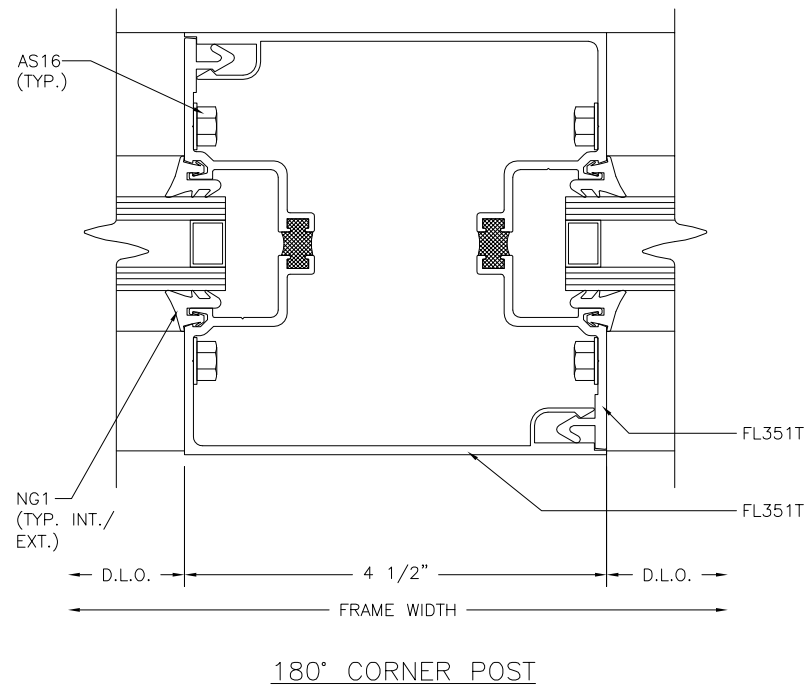
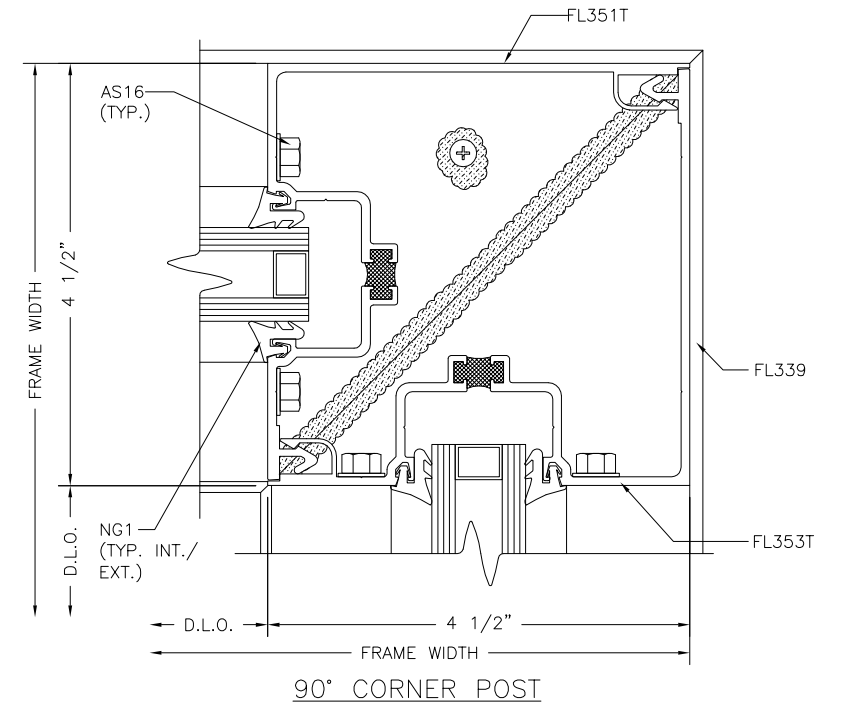
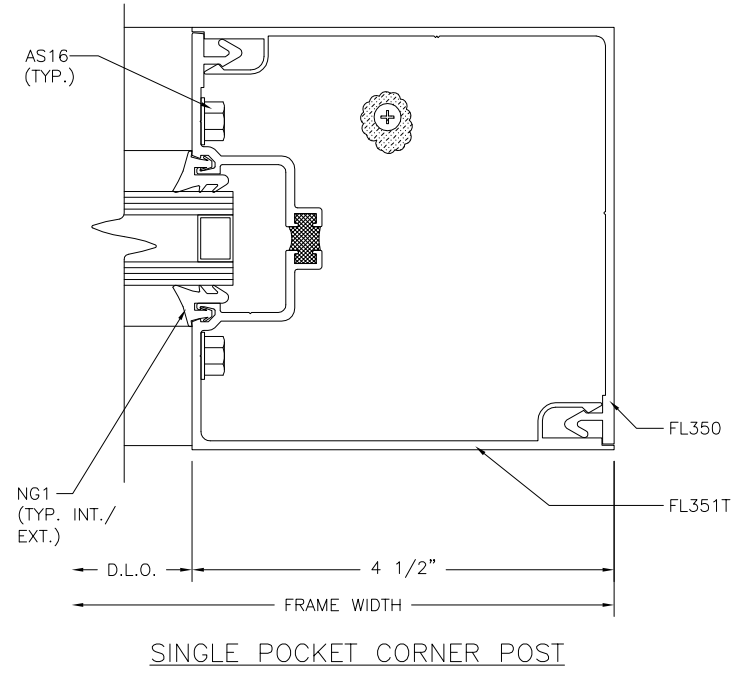
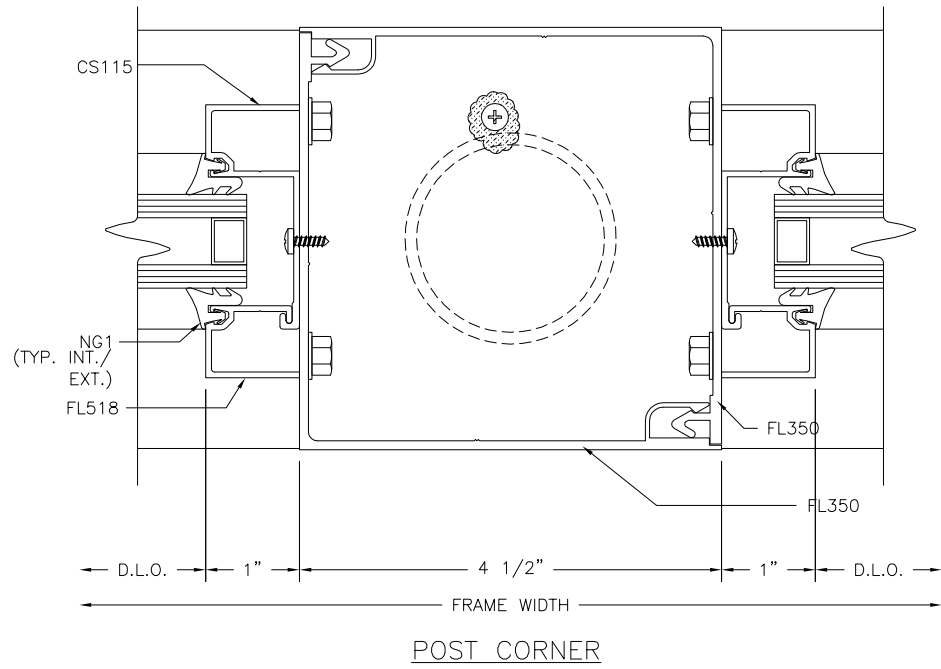


STANDARD JAMB

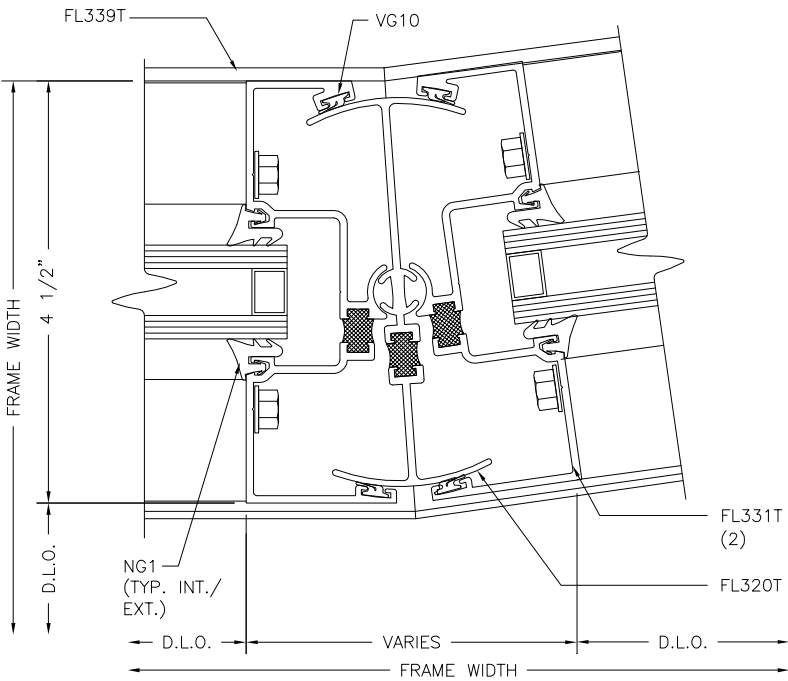


ALTERNATE JAMB

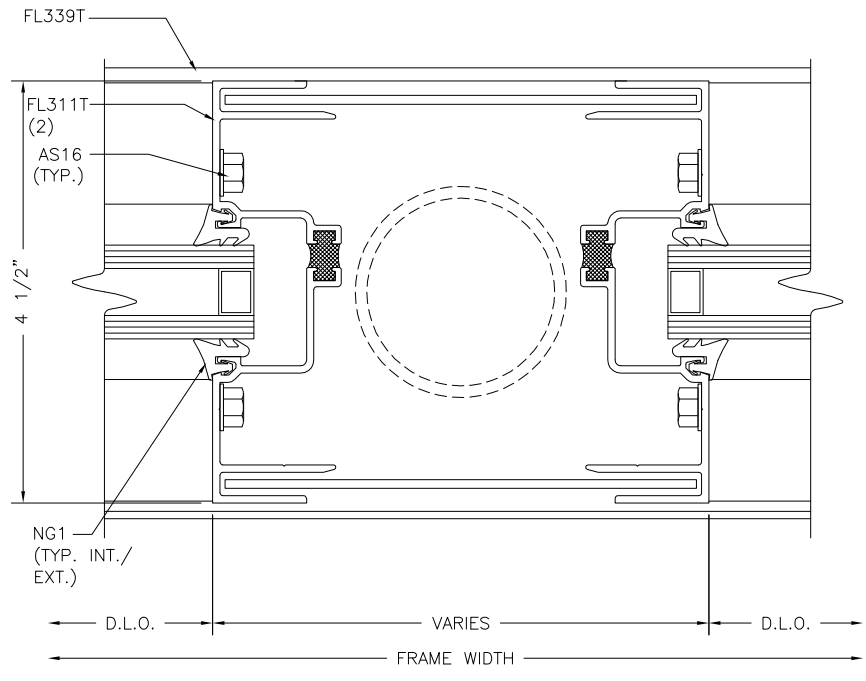
STD. DETAILS



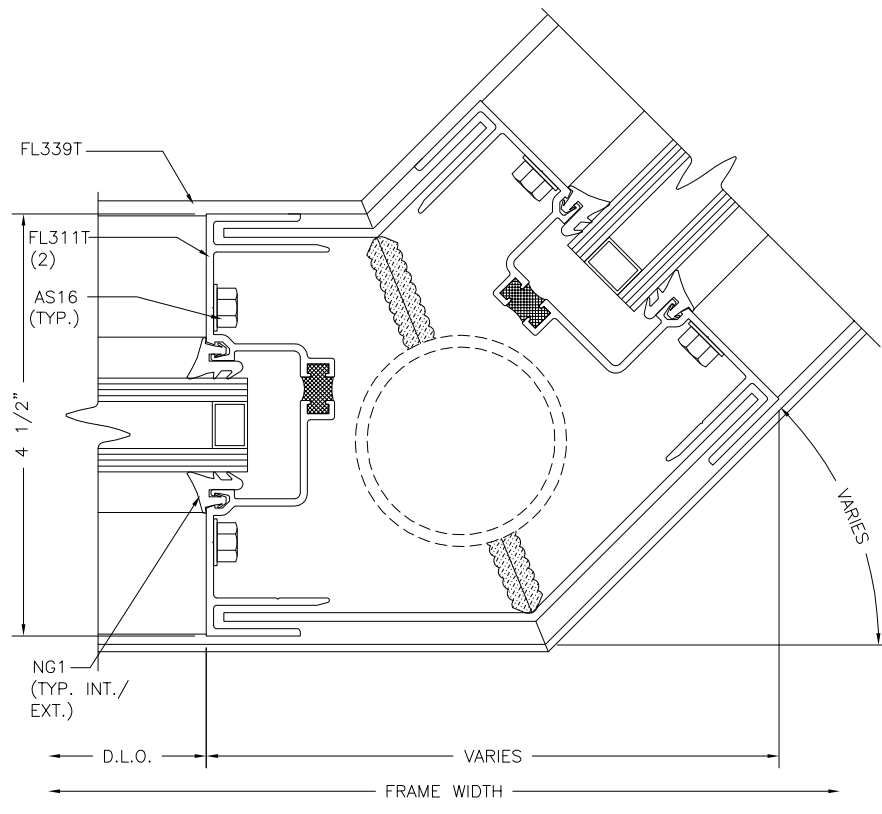
STD. DETAILS



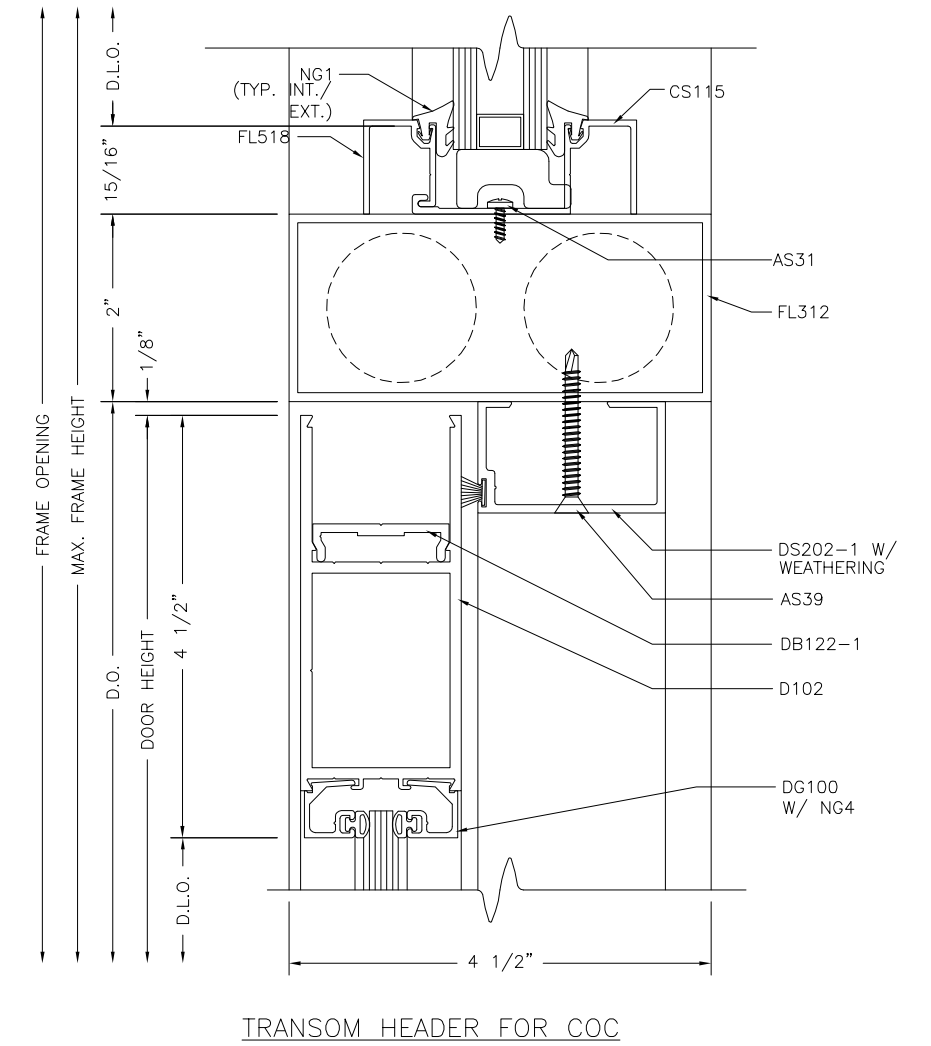
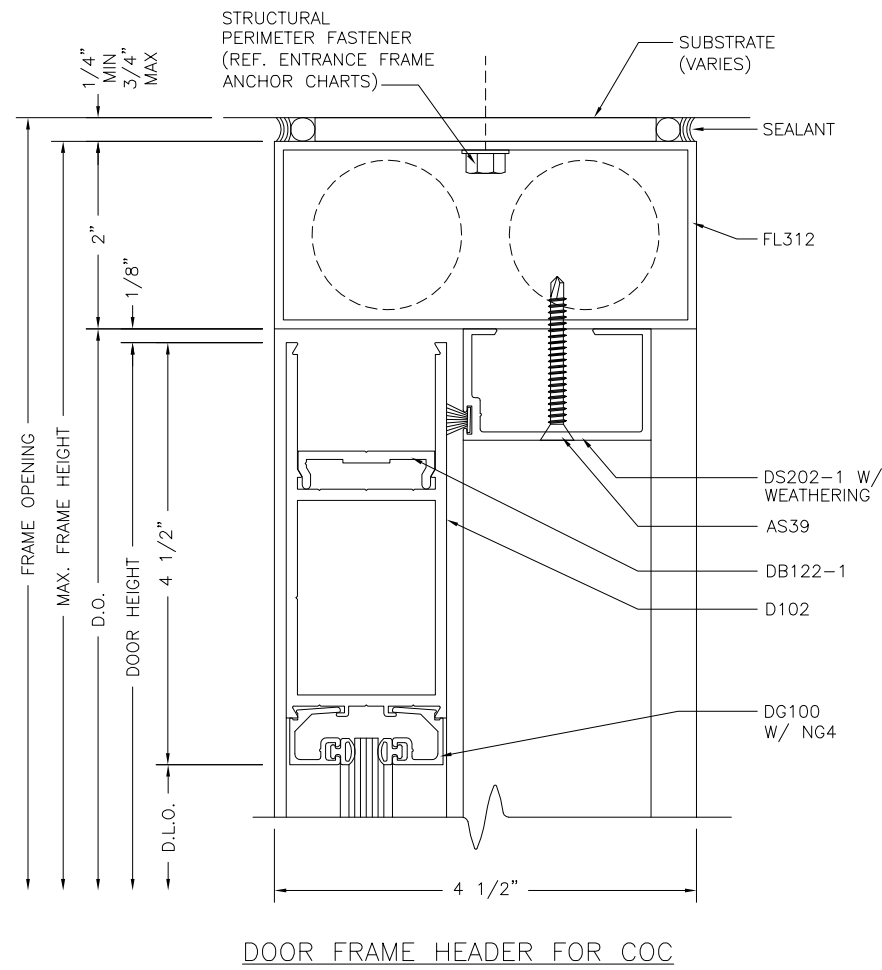
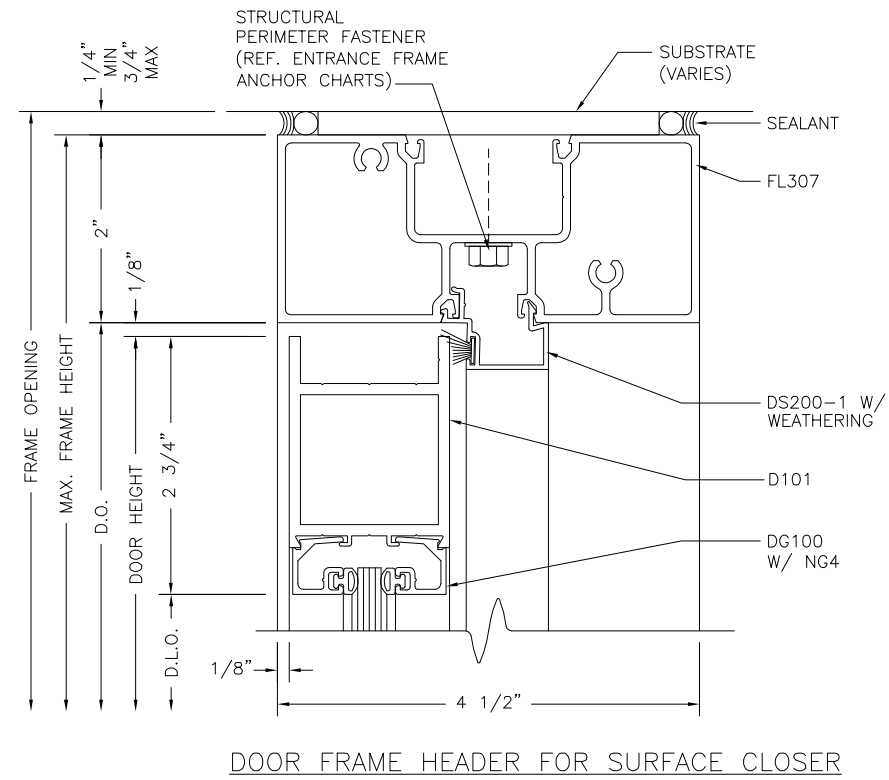
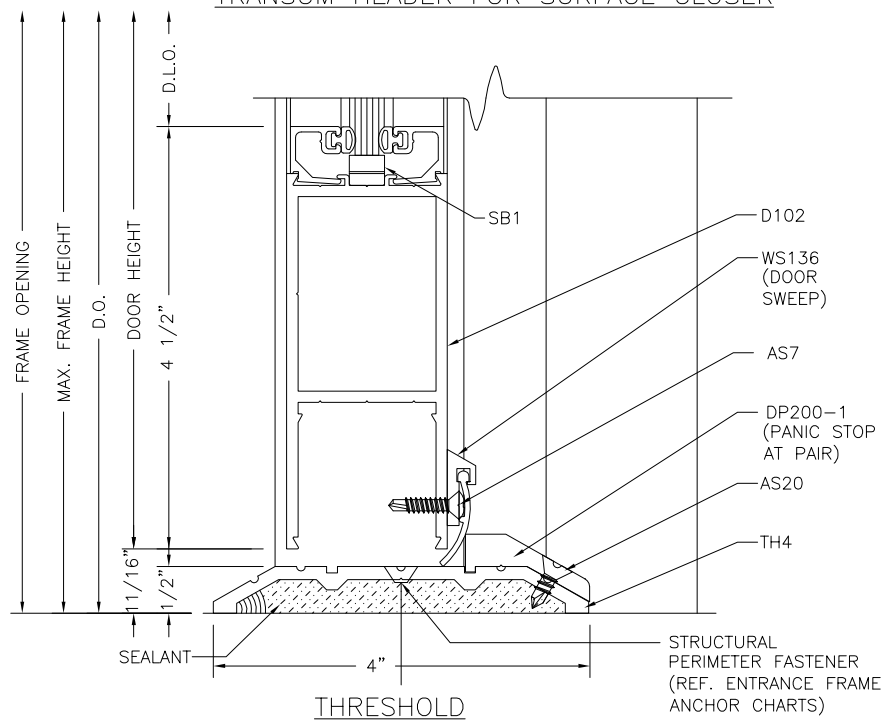
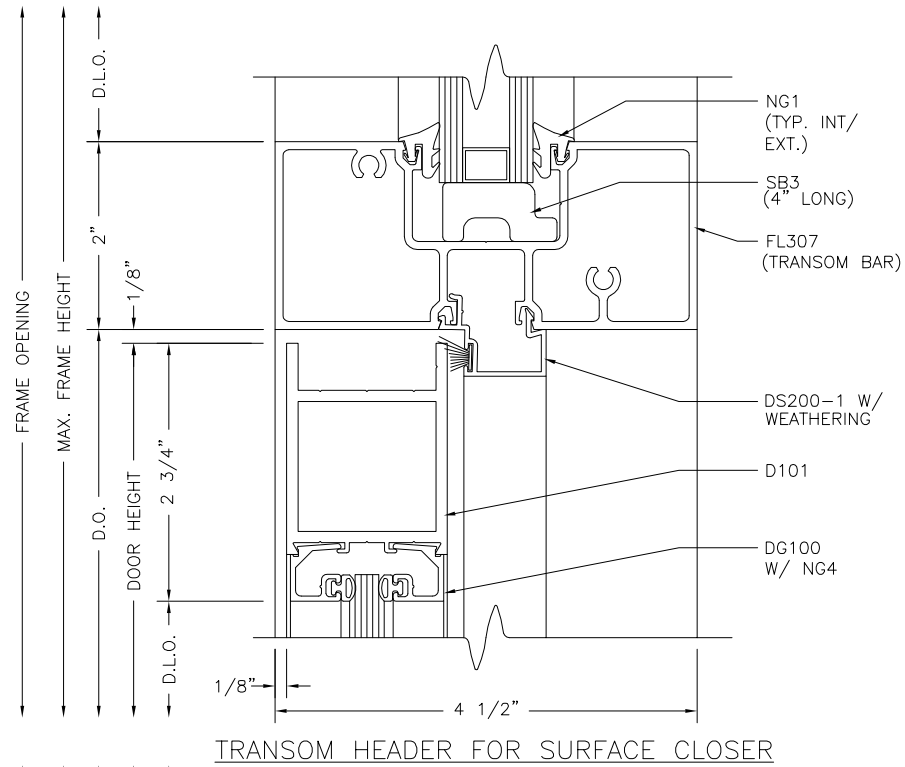
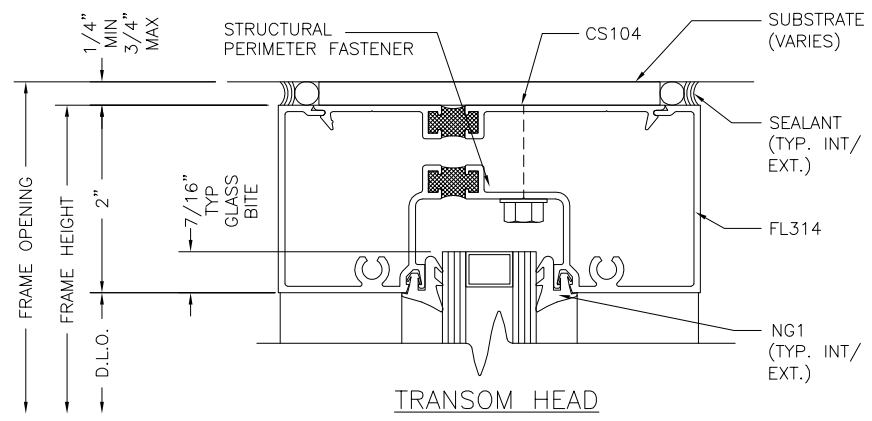
0-24° ROTATING MULLION



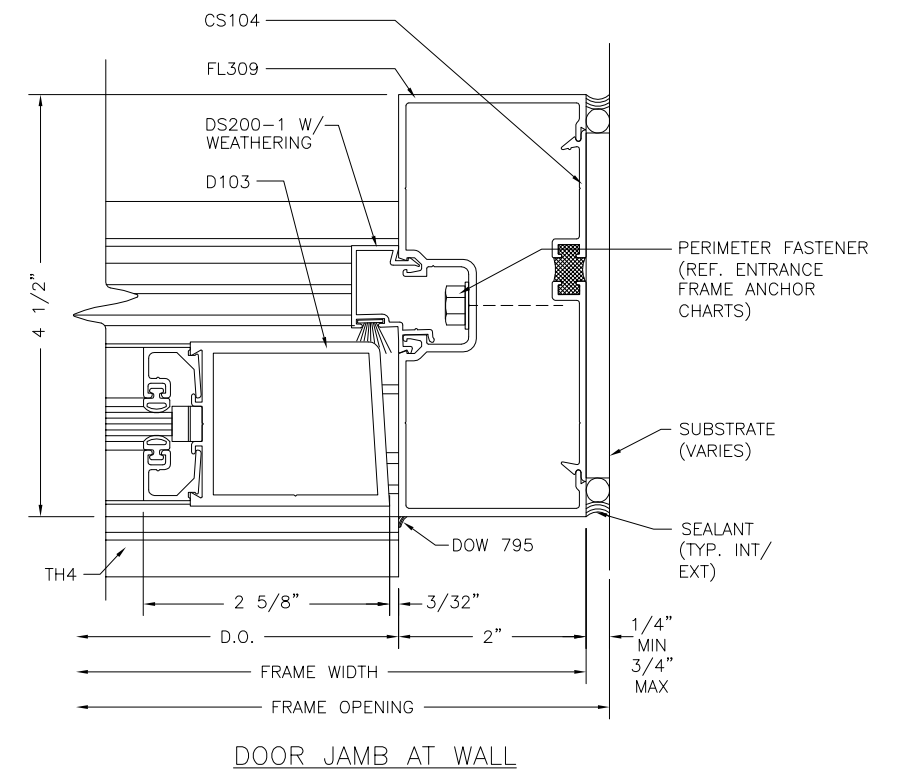
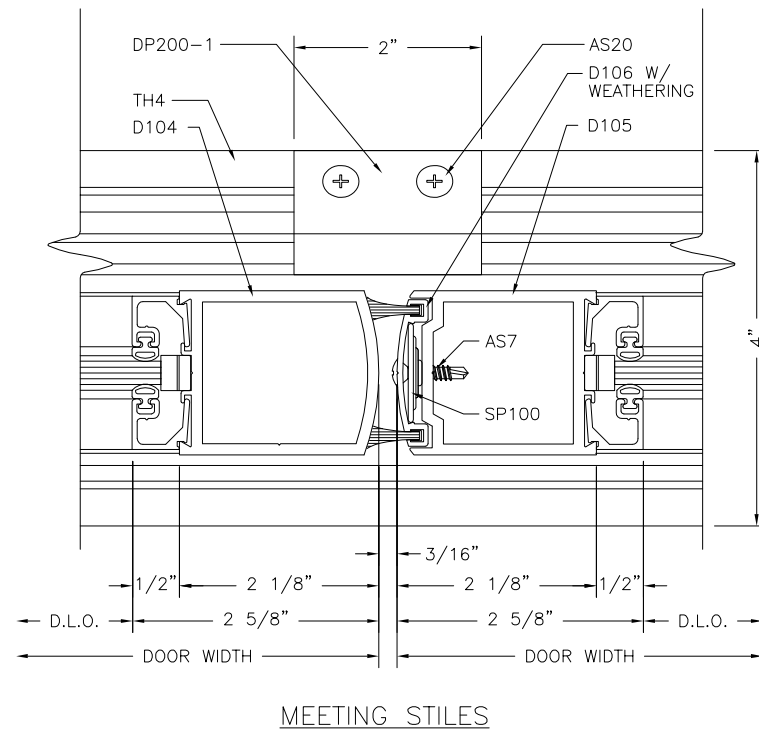
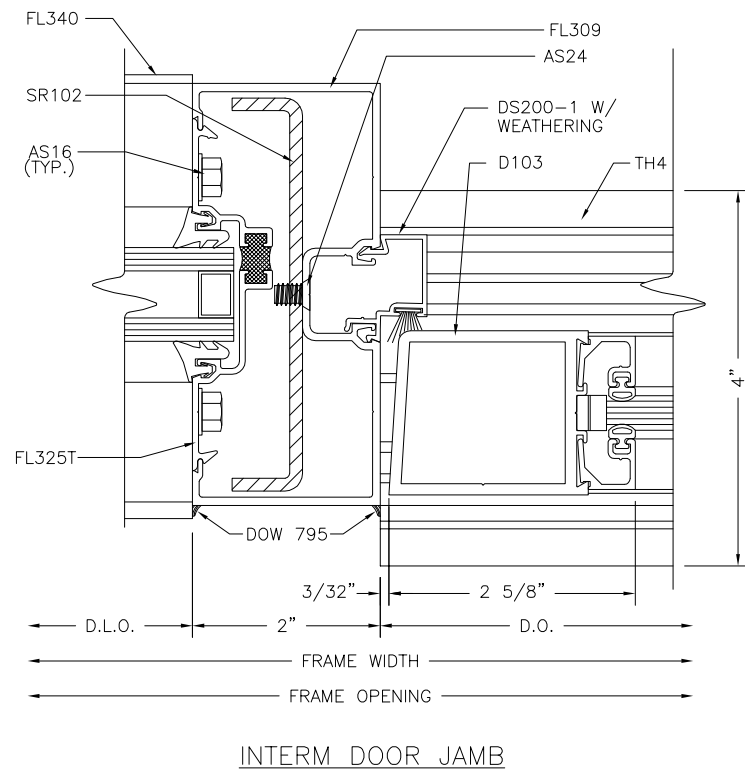
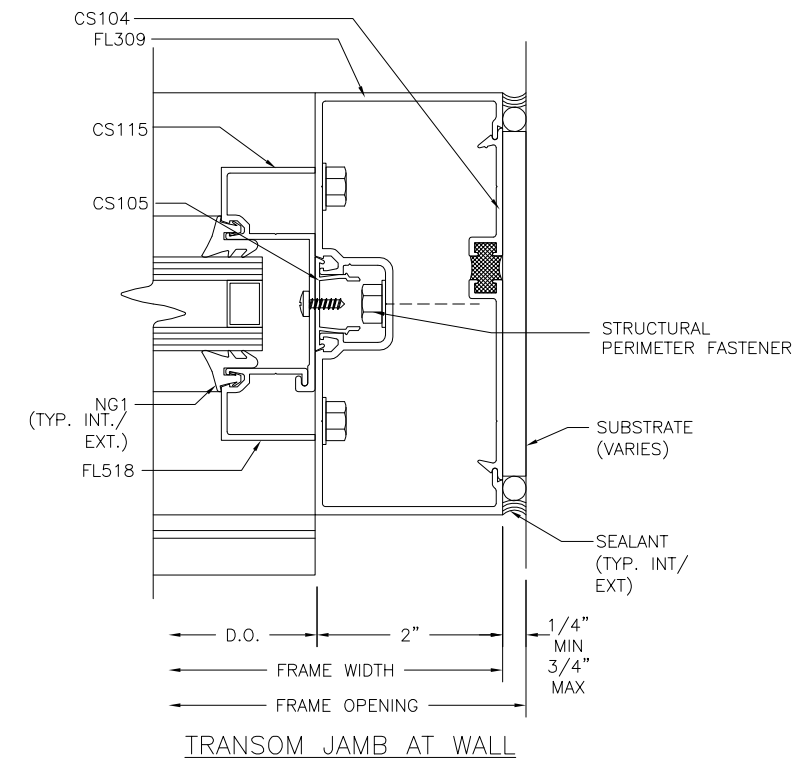
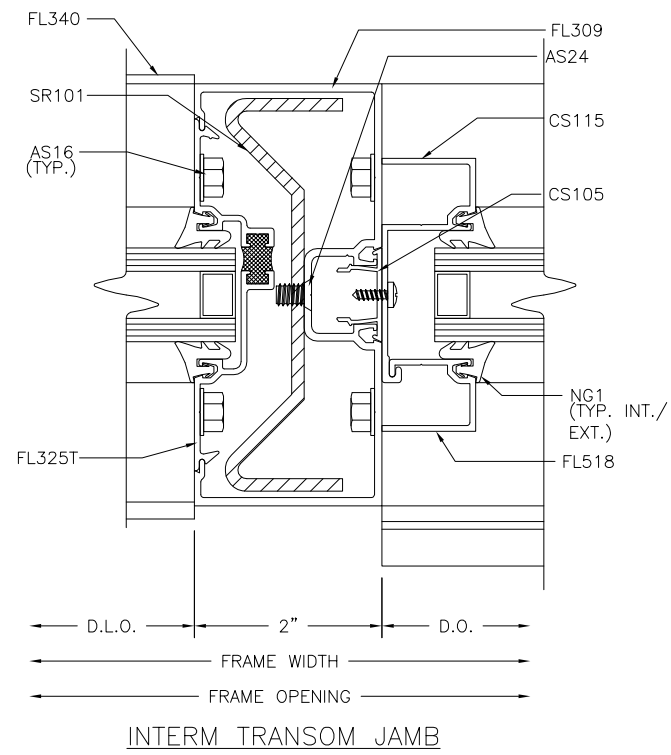
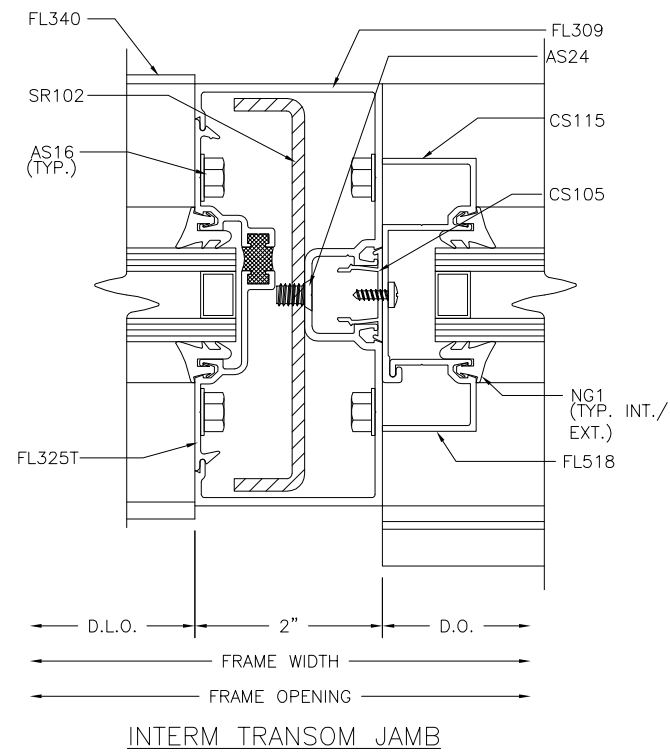
POST COVER



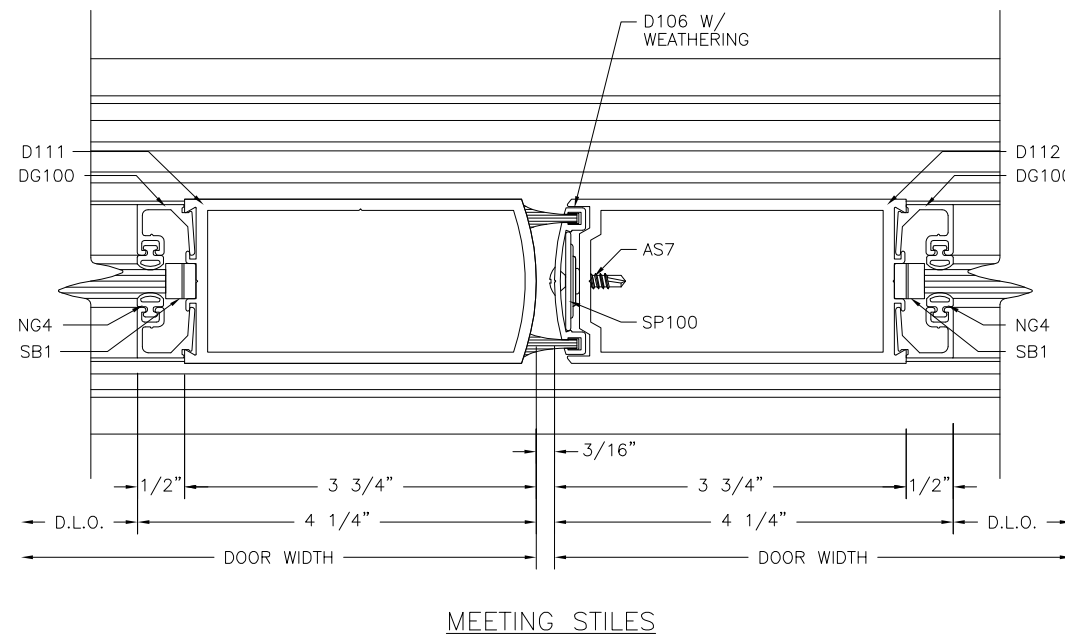
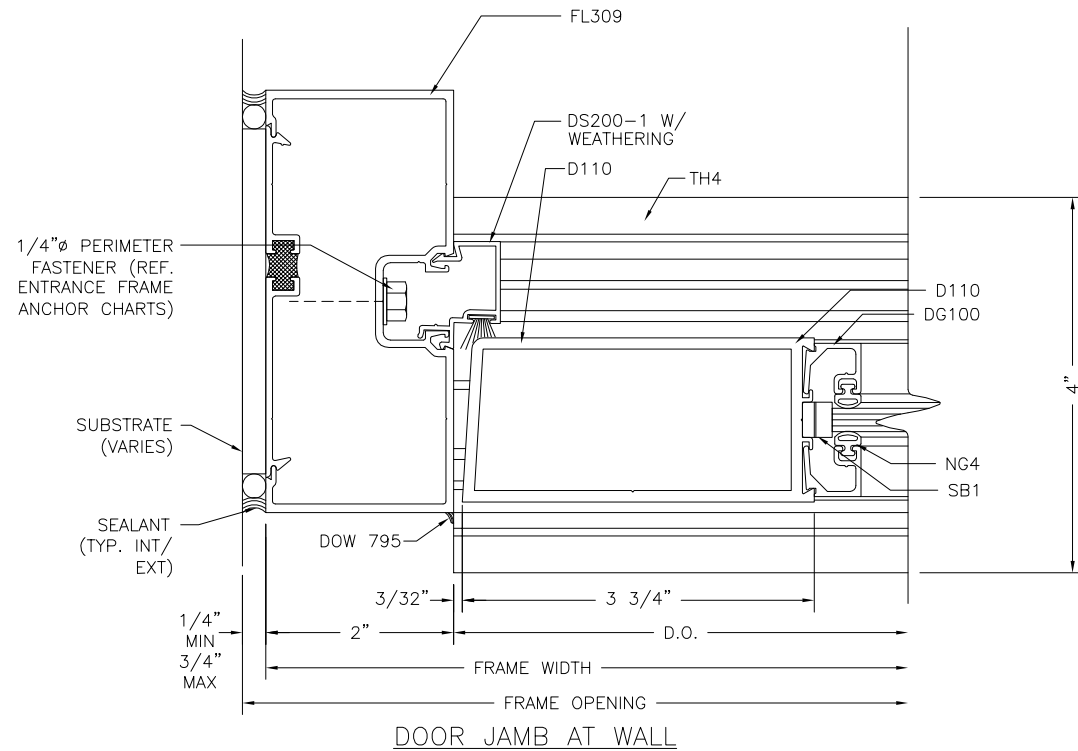
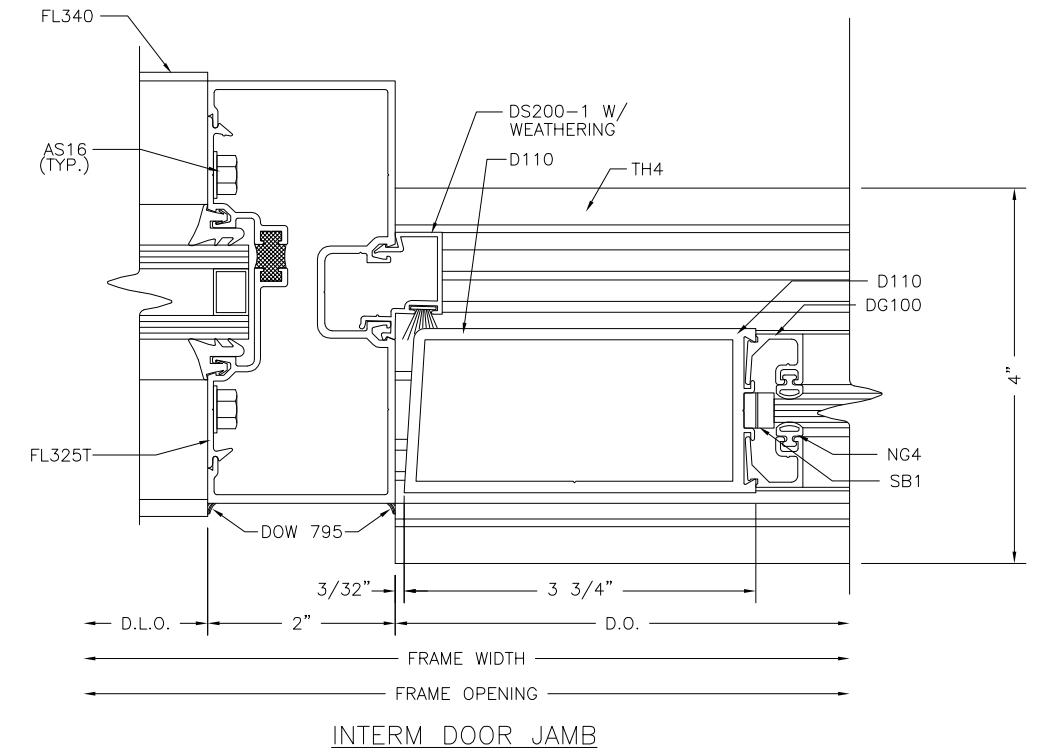
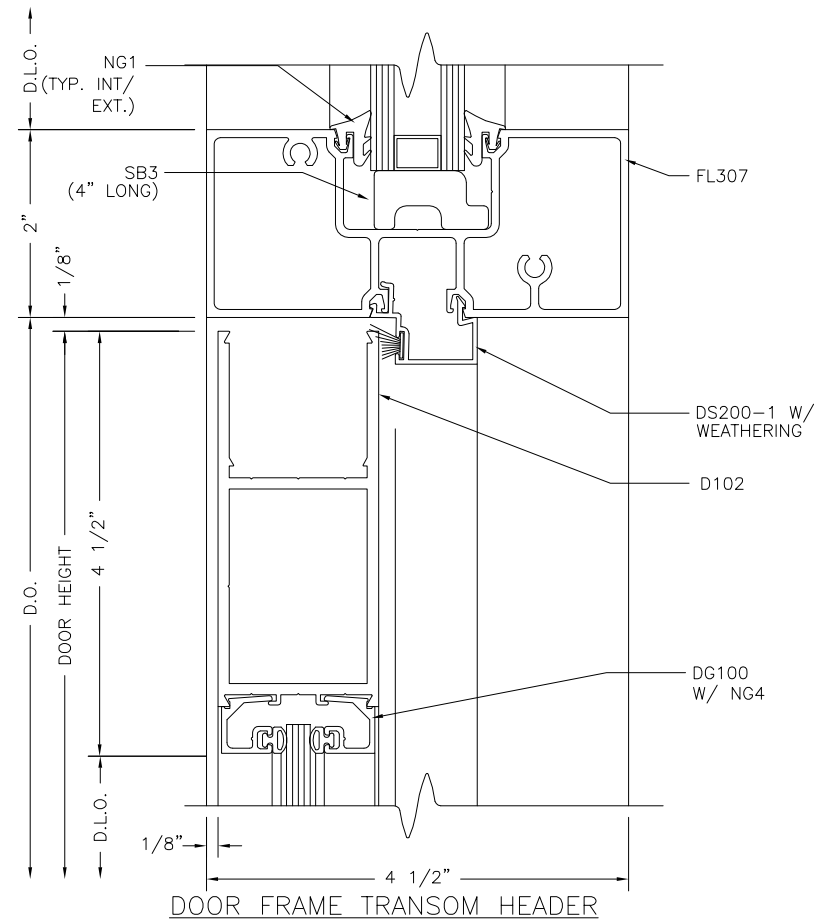
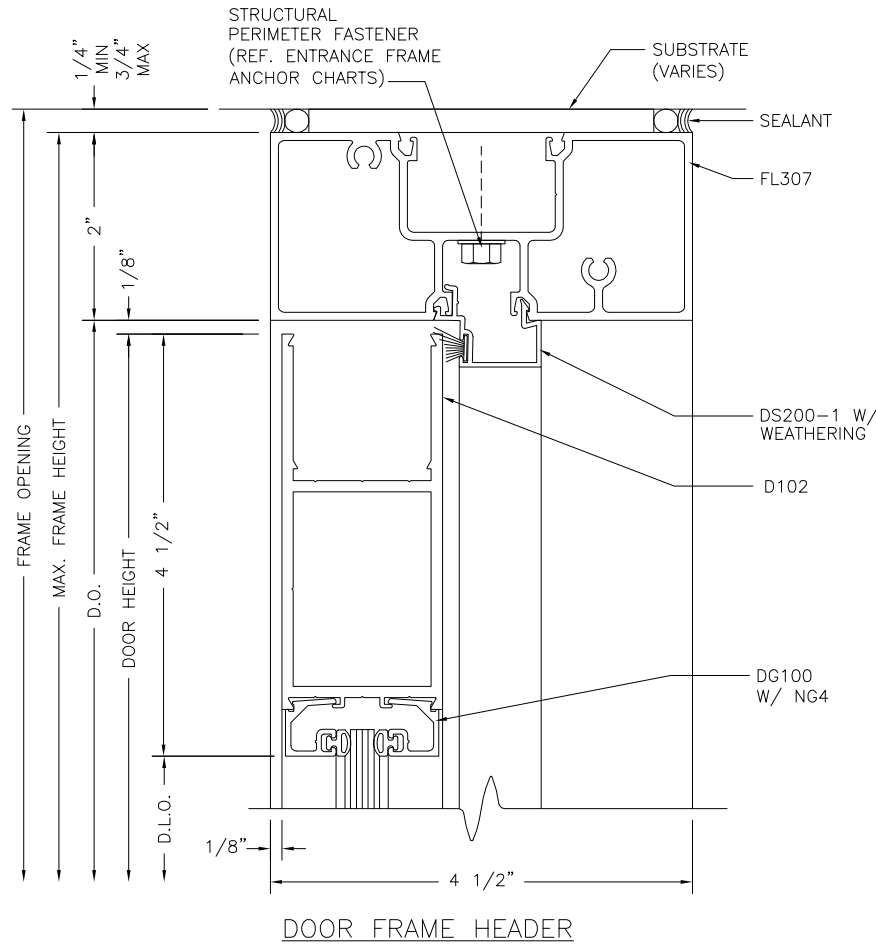
CORNER POST COVER



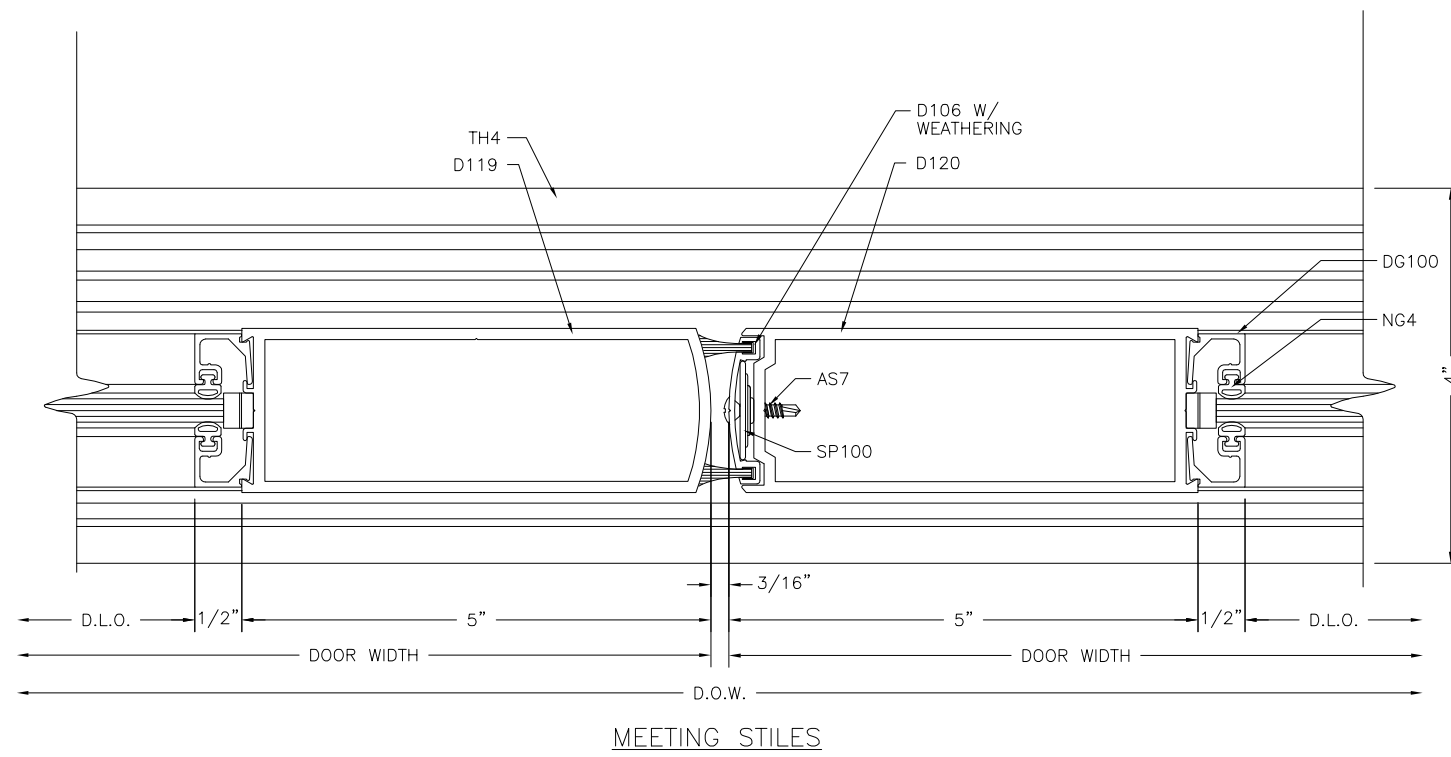
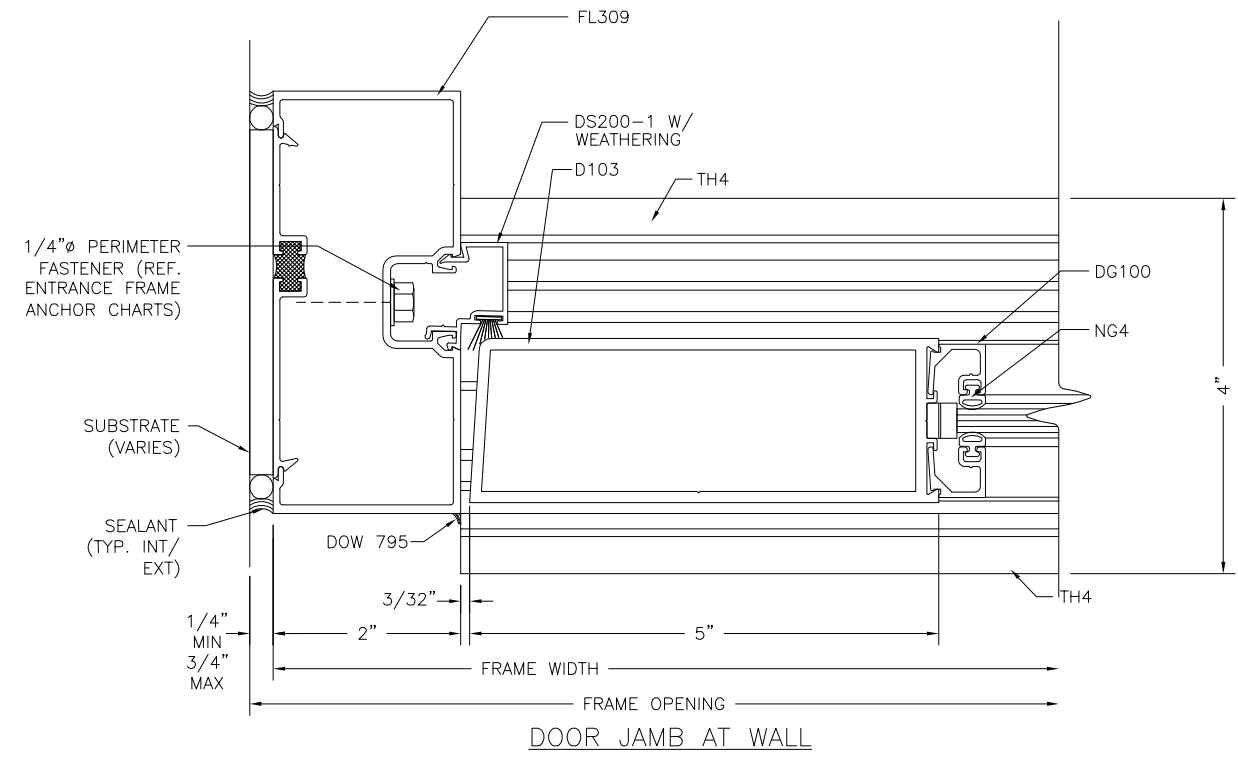
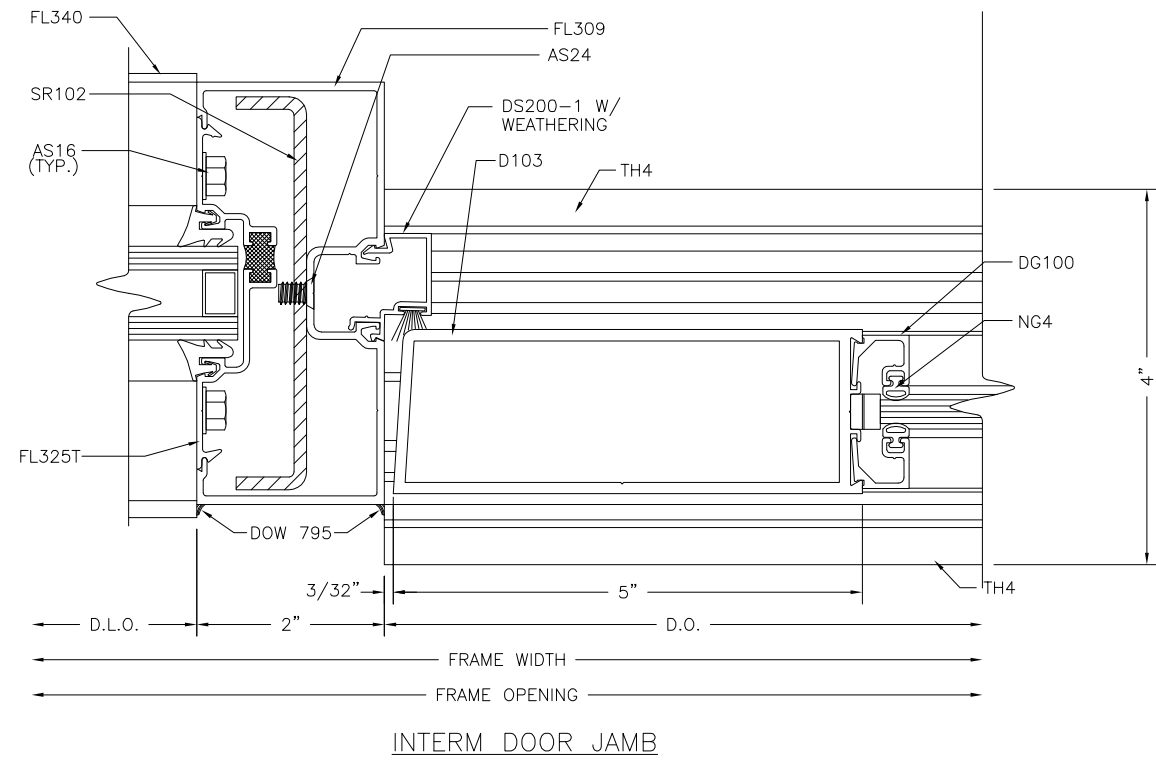
STD. DOOR



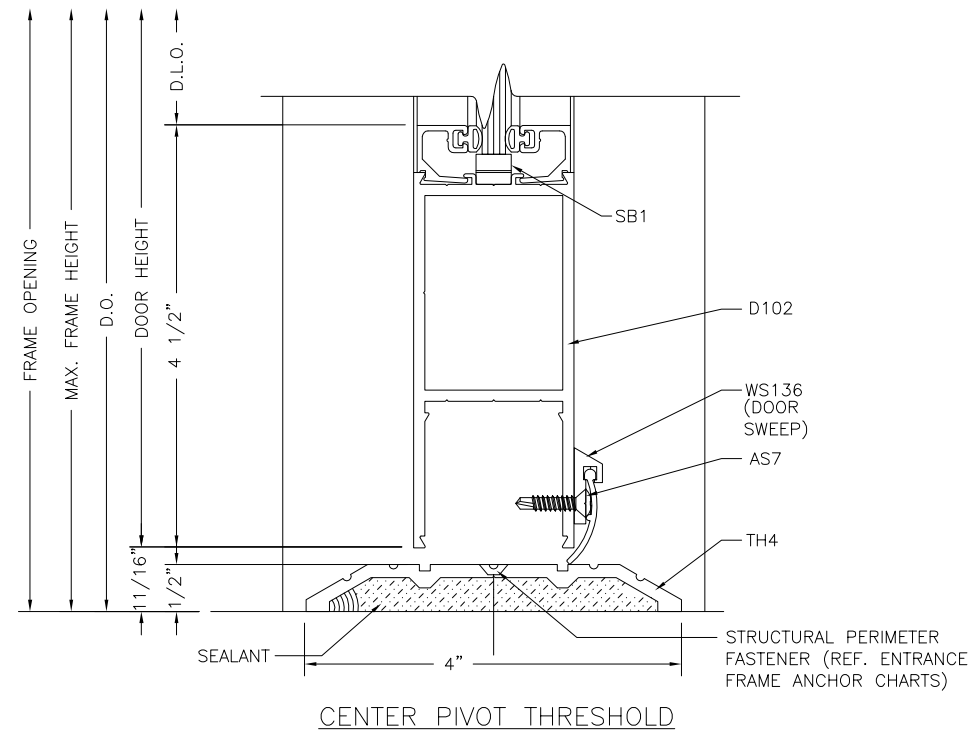
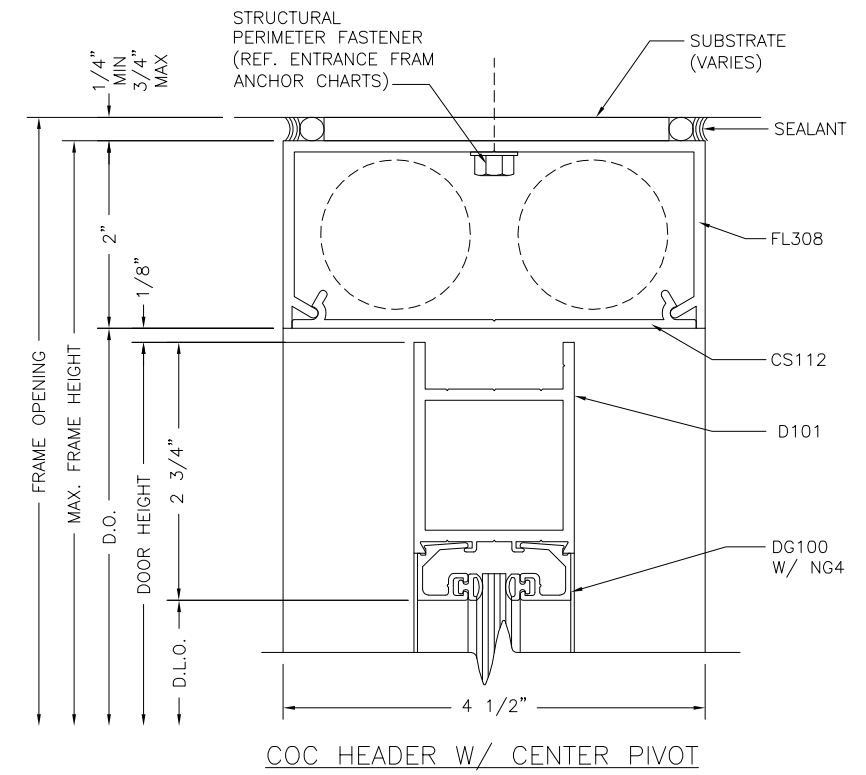
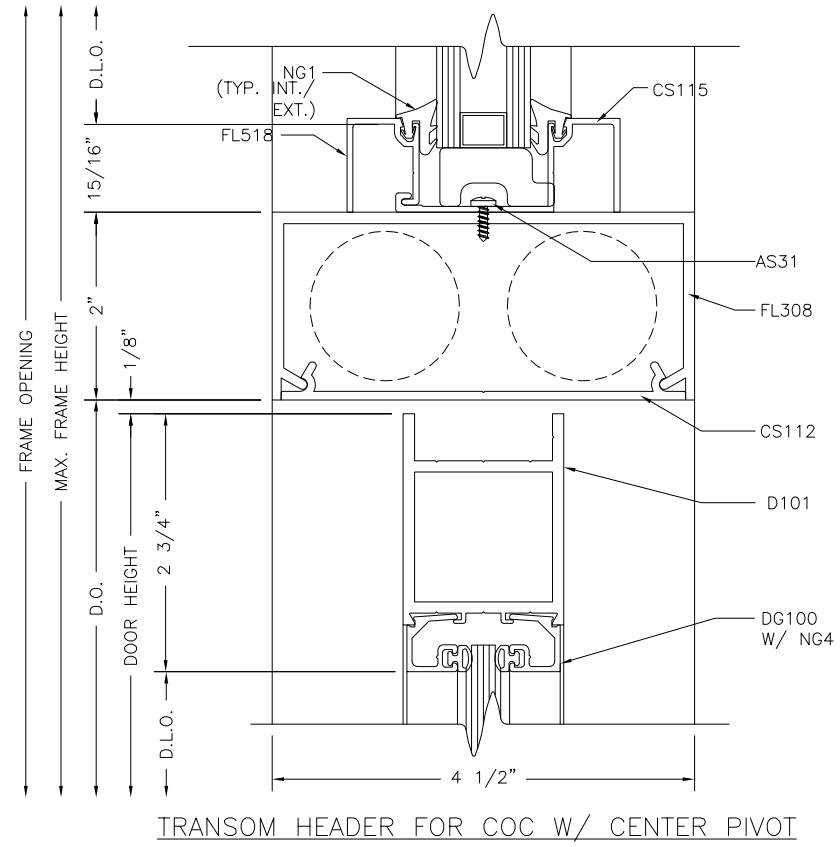
MEDIUM STILE DOOR



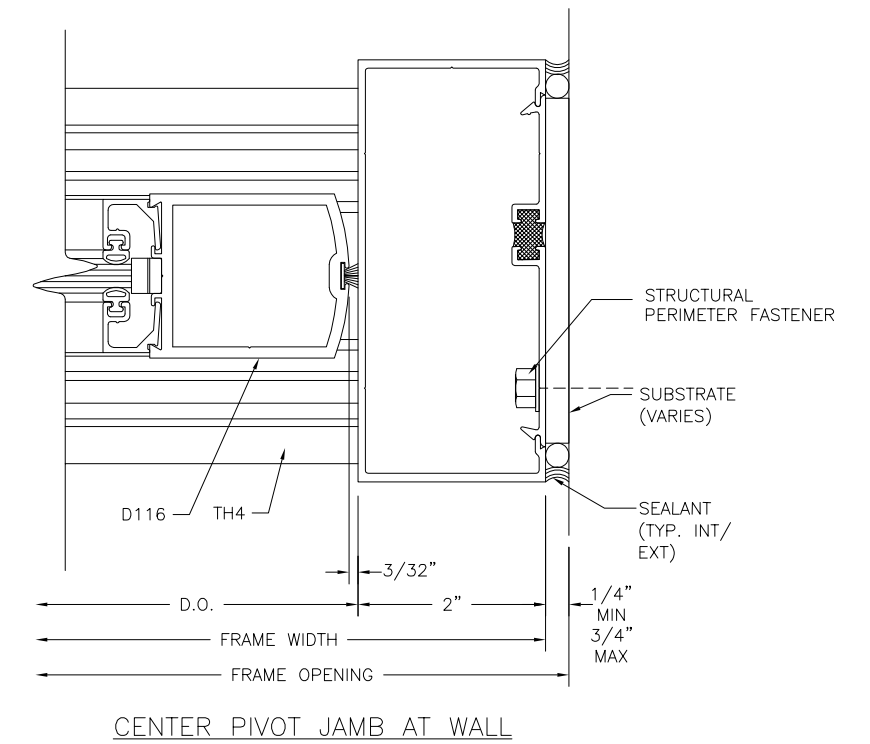
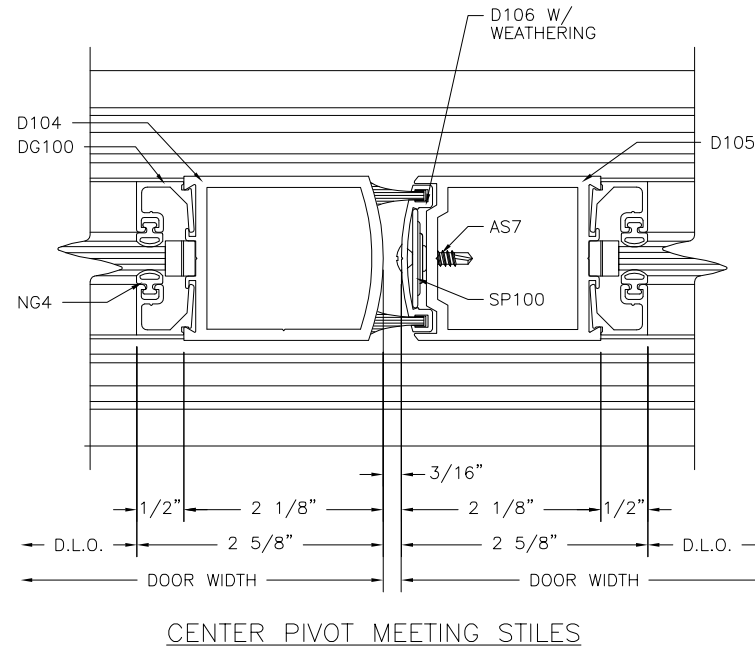
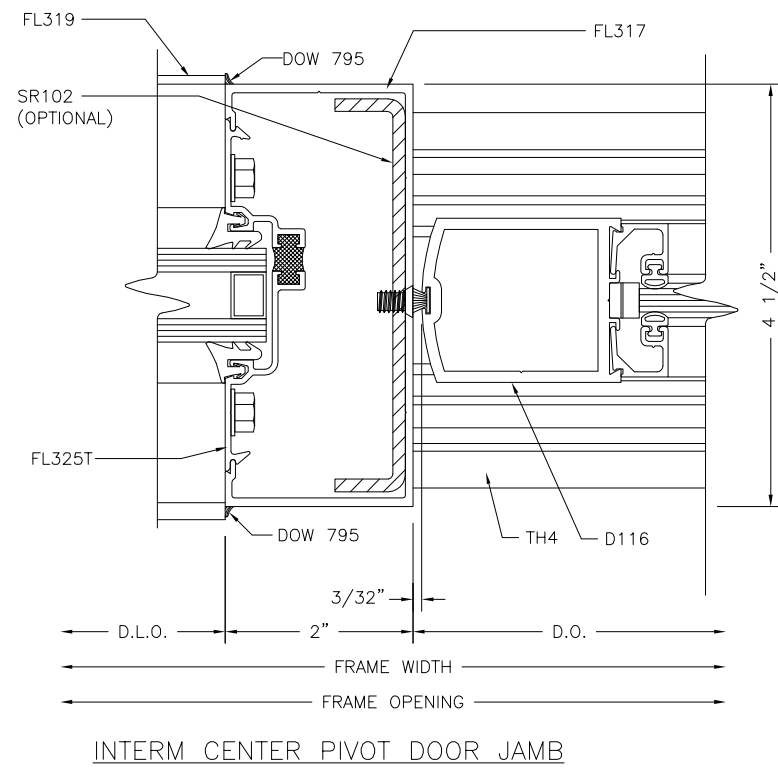
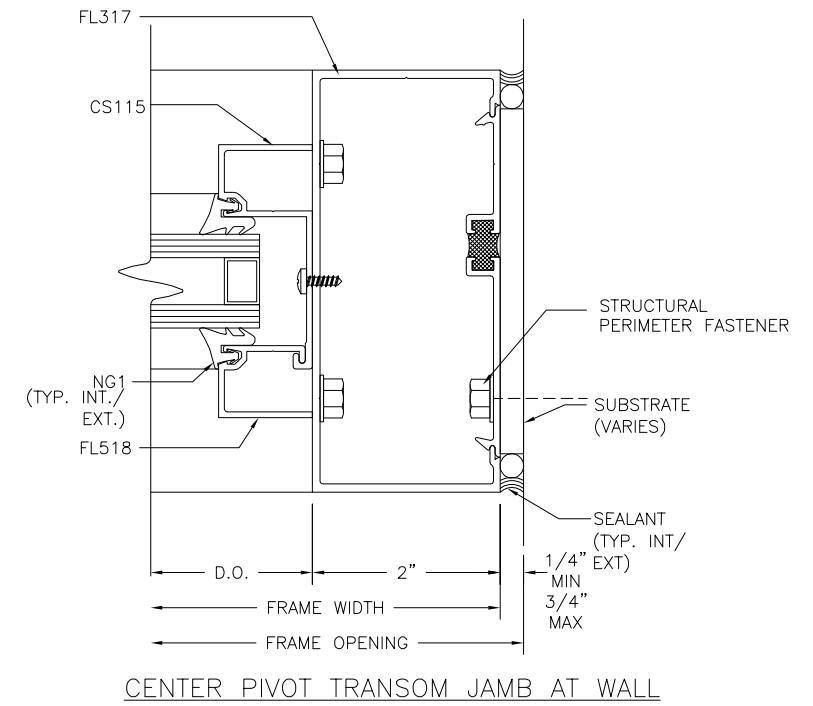
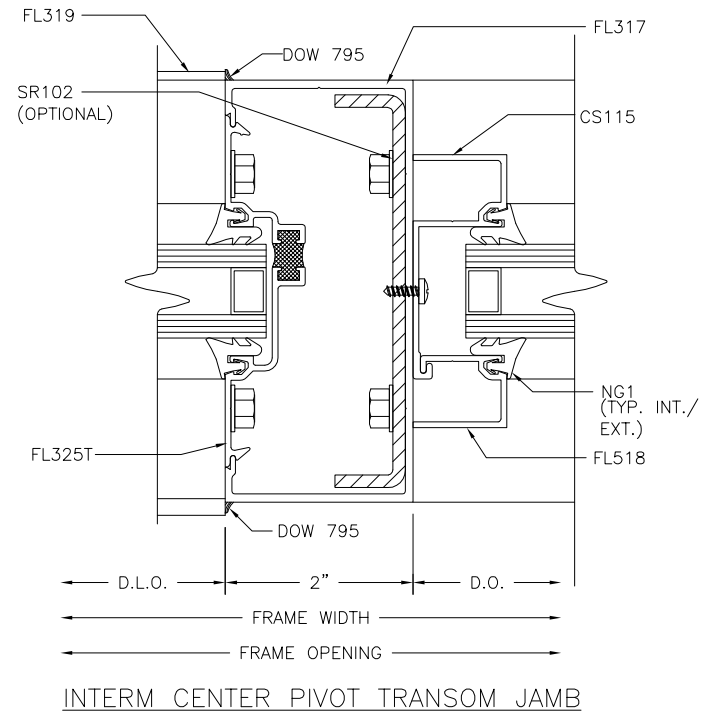
WIDE STILE DOOR



CENTER PIVOT DOOR



CENTER PIVOT DOOR



BOTTOM RAIL AND THRESHOLD OPTIONS

