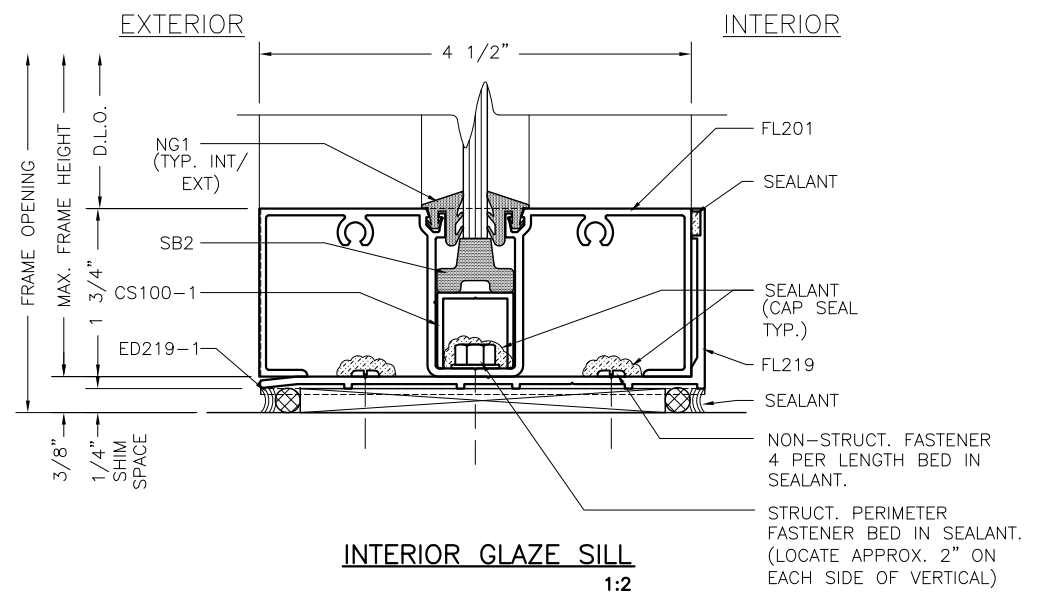
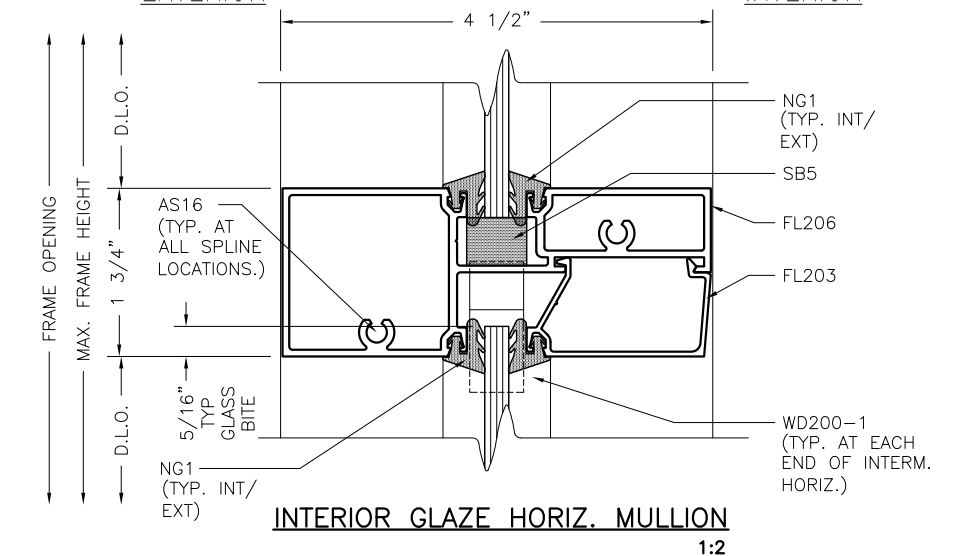
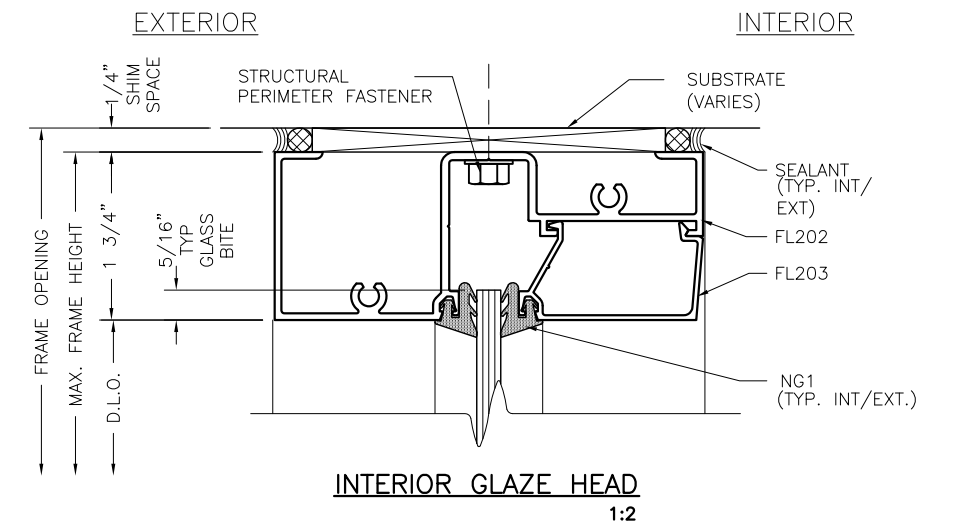
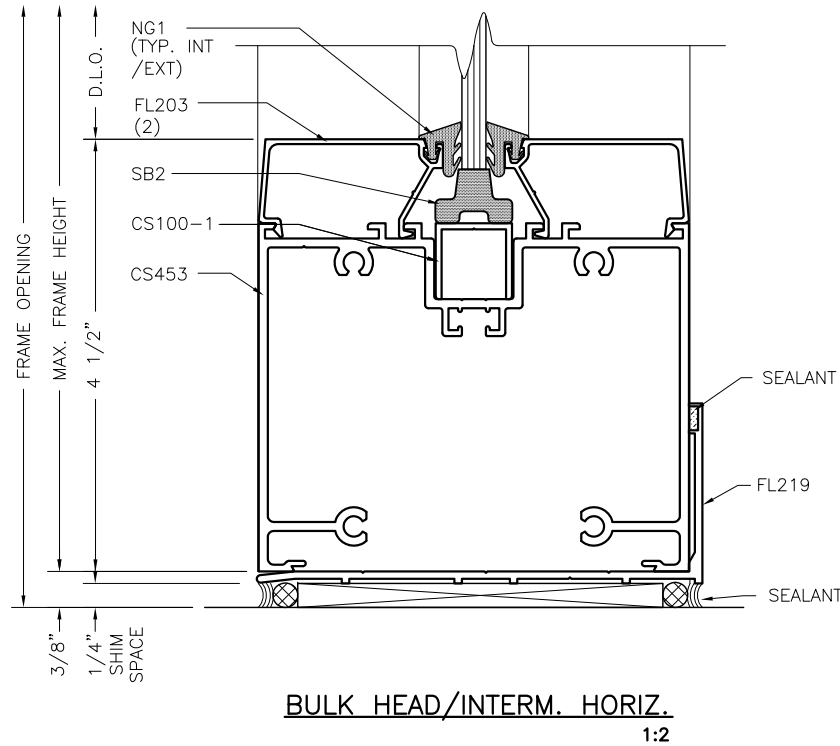
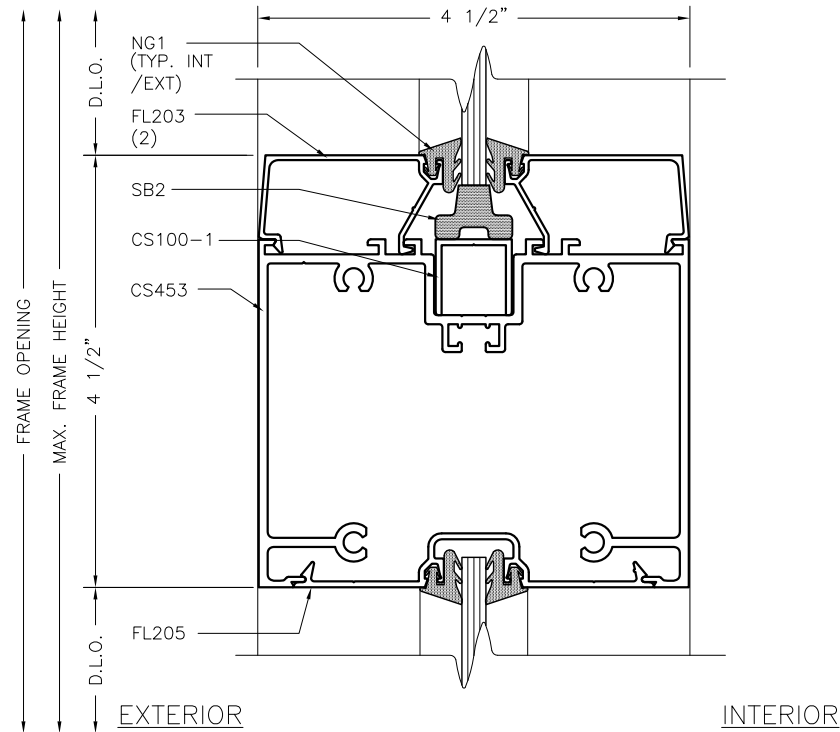
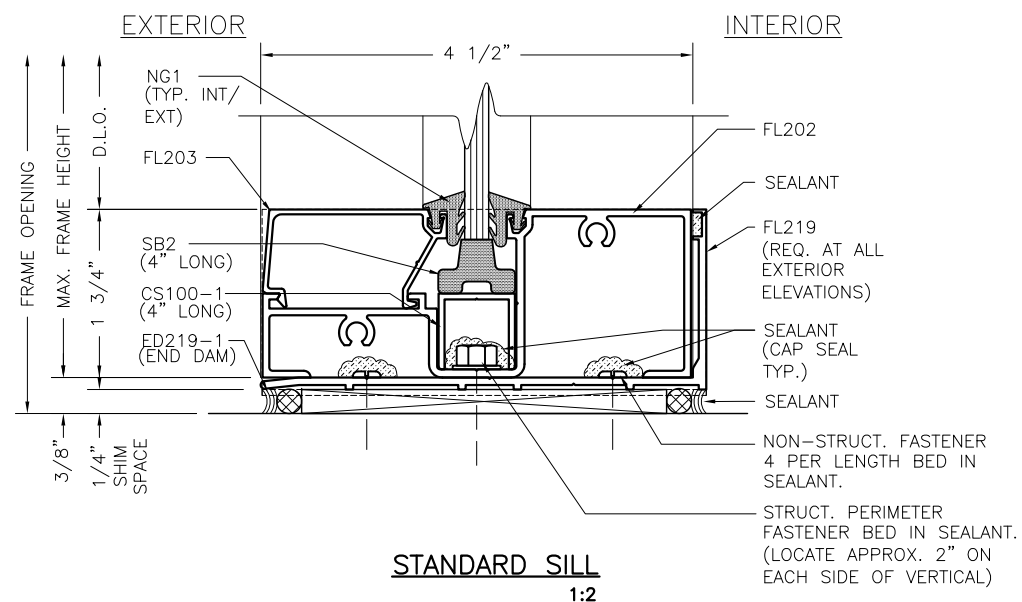
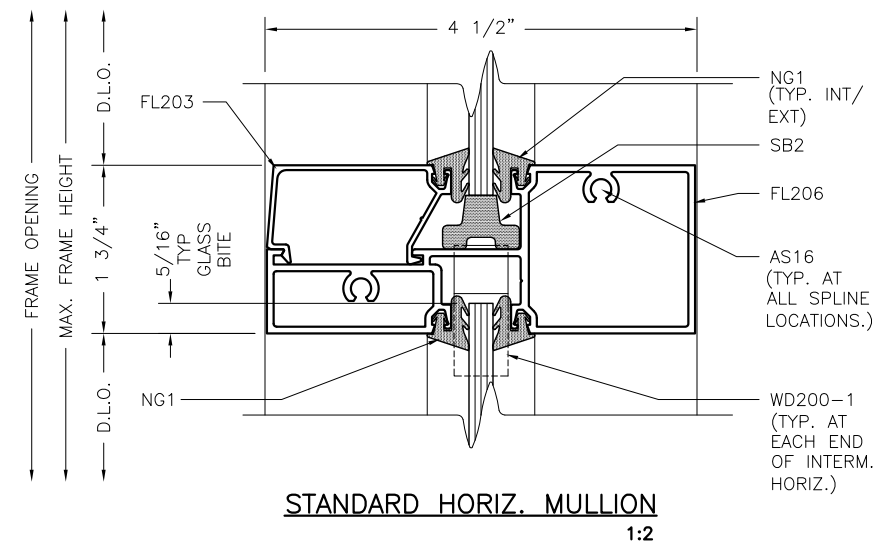
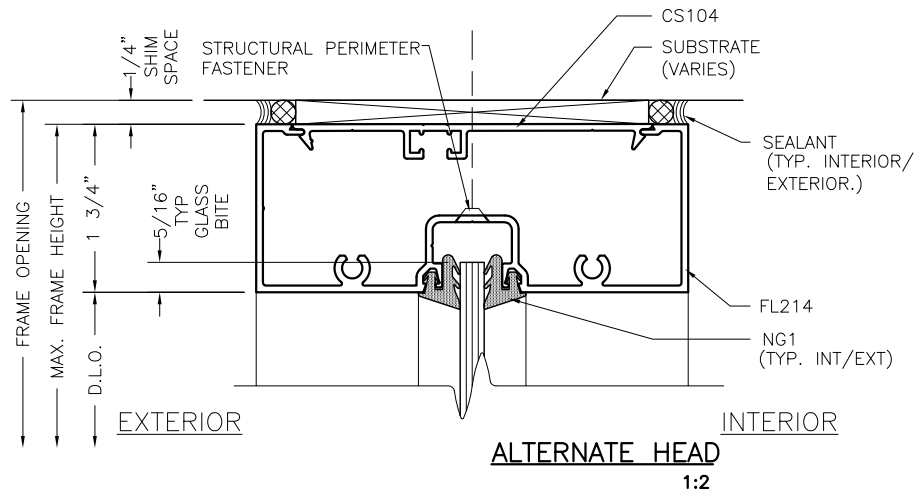
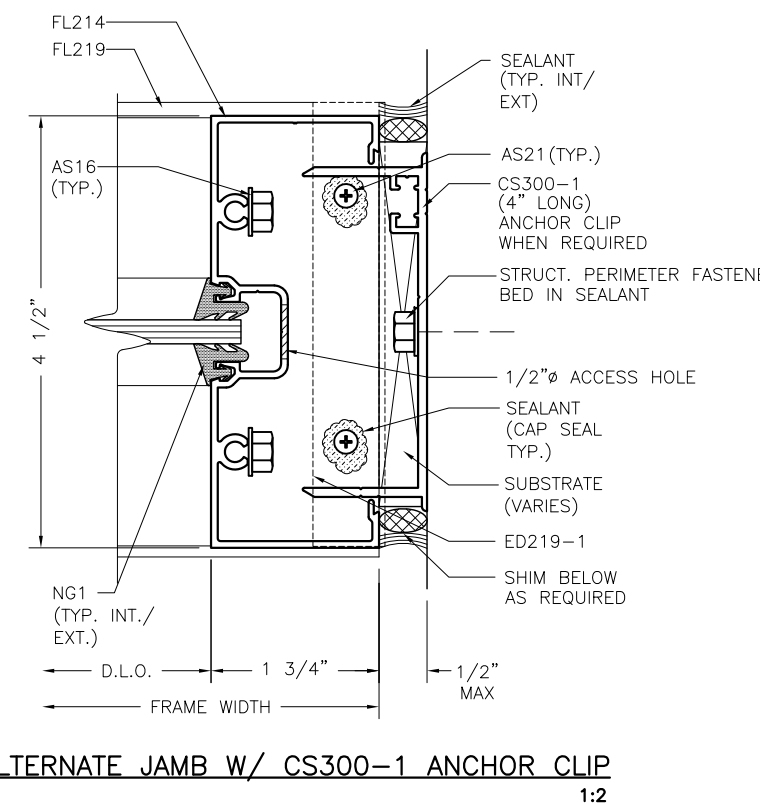
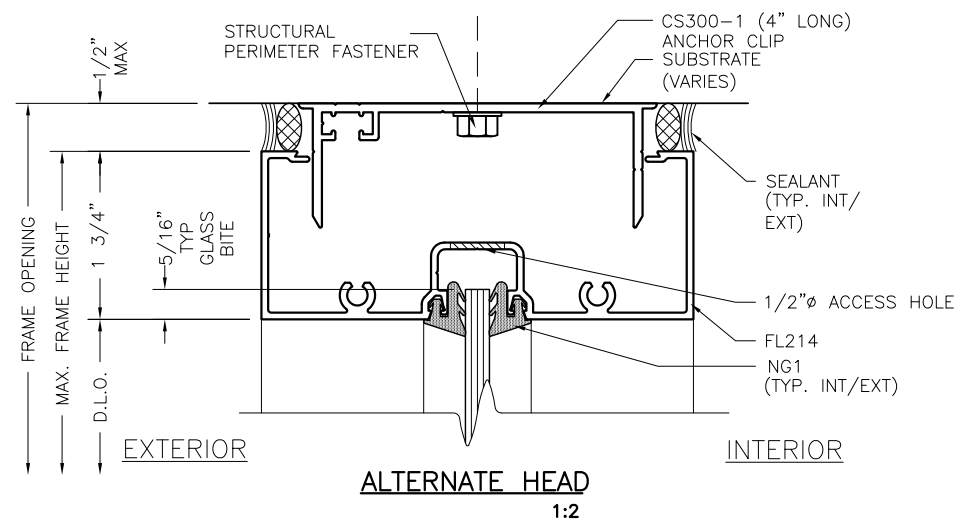
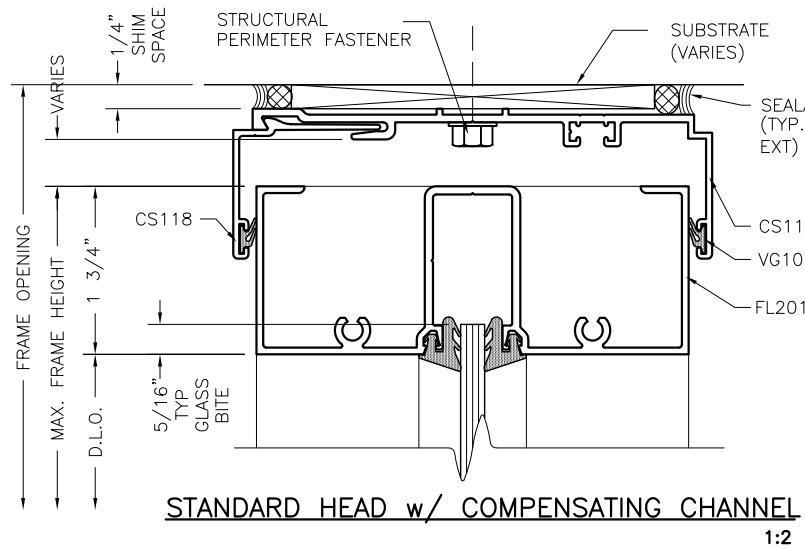
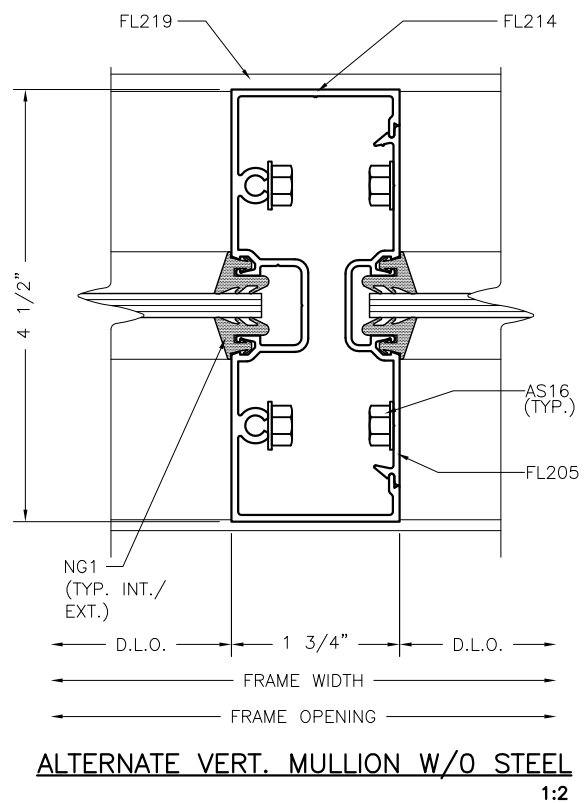
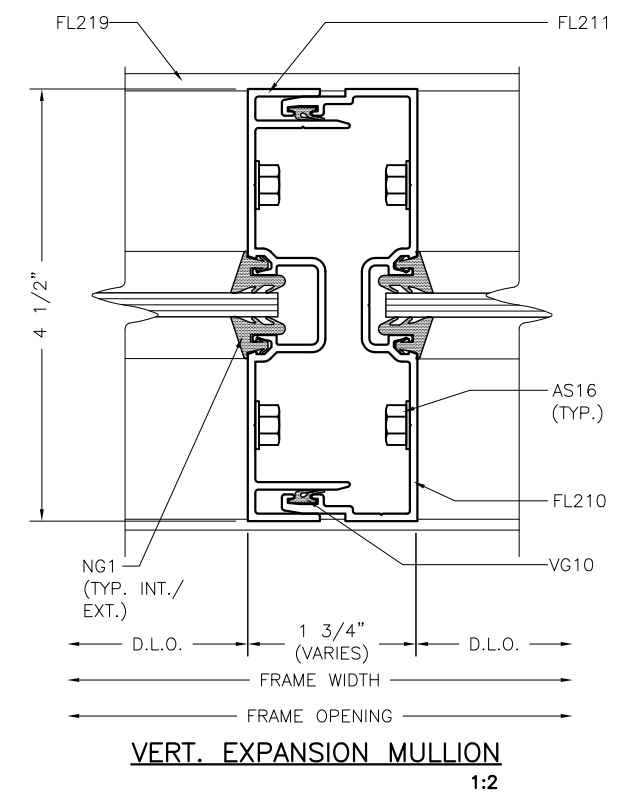
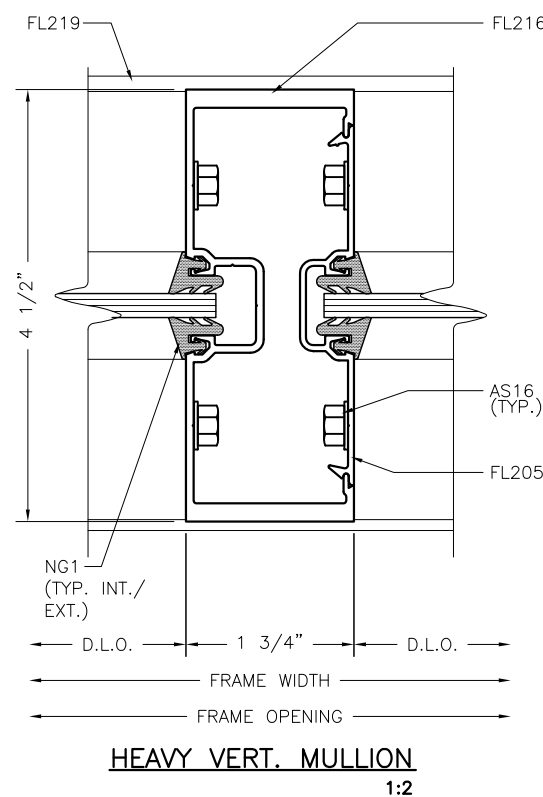
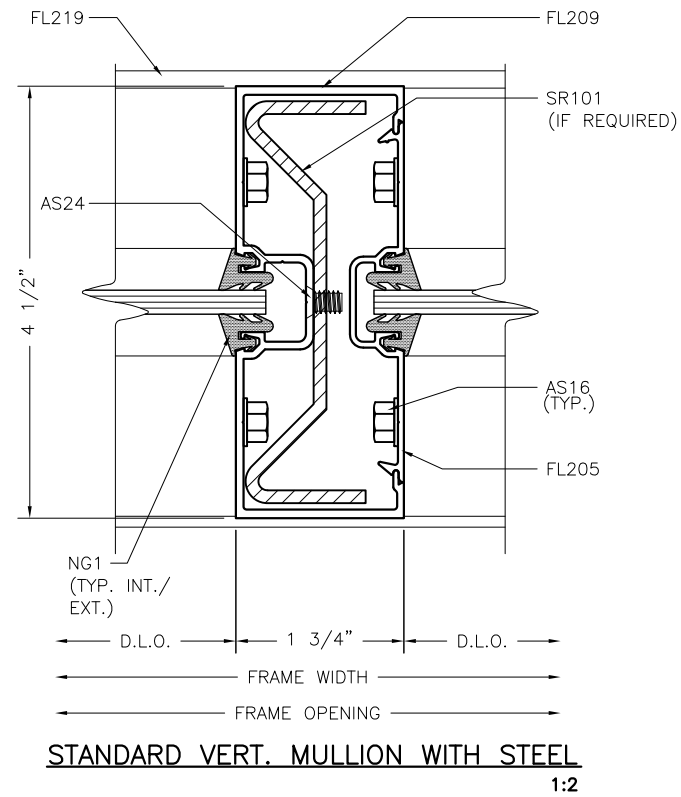
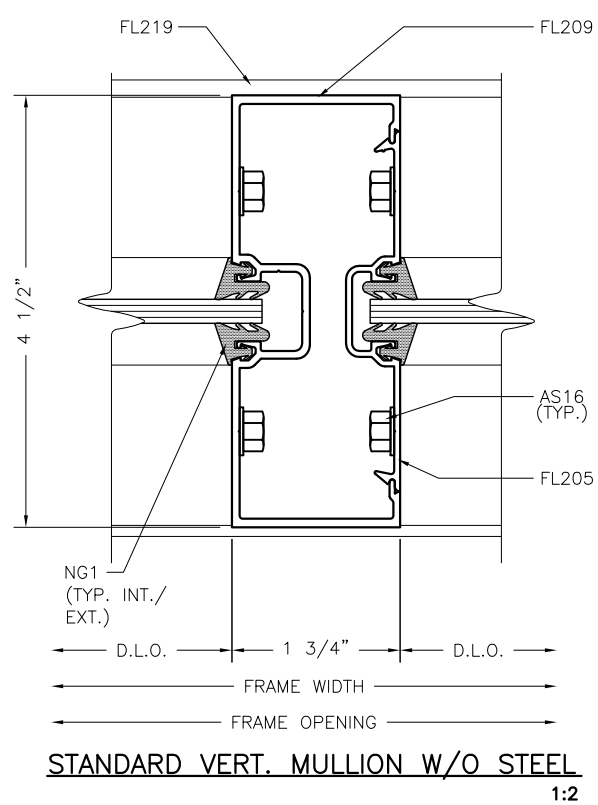
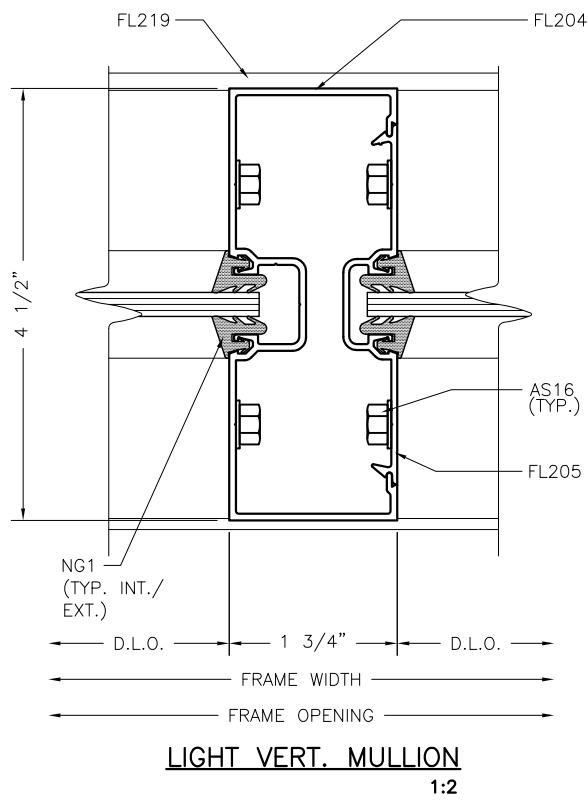
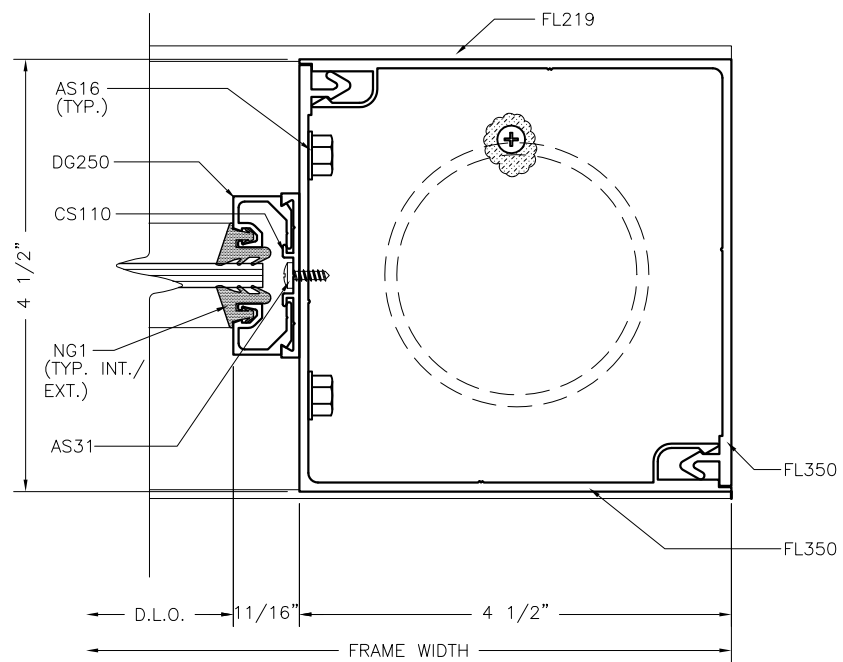


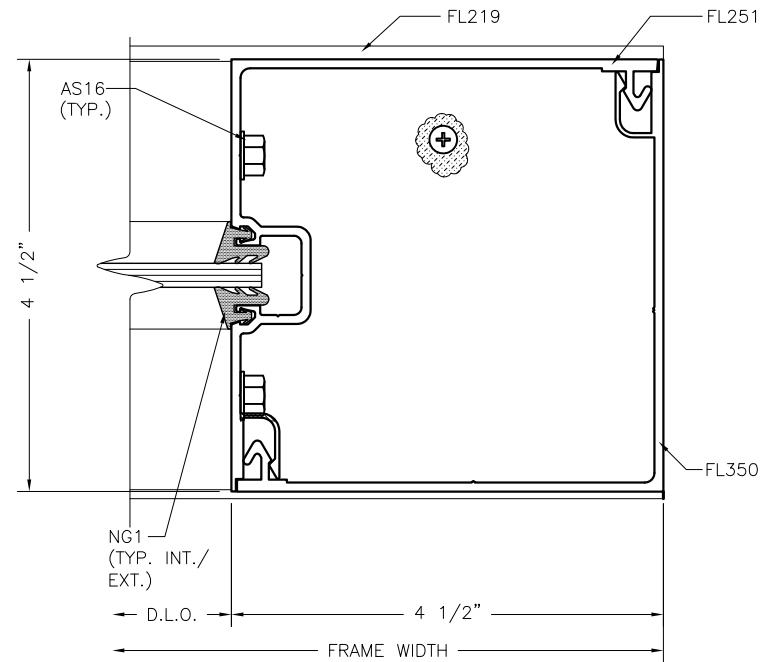
ARCHITECTURAL DETAILS: FL200



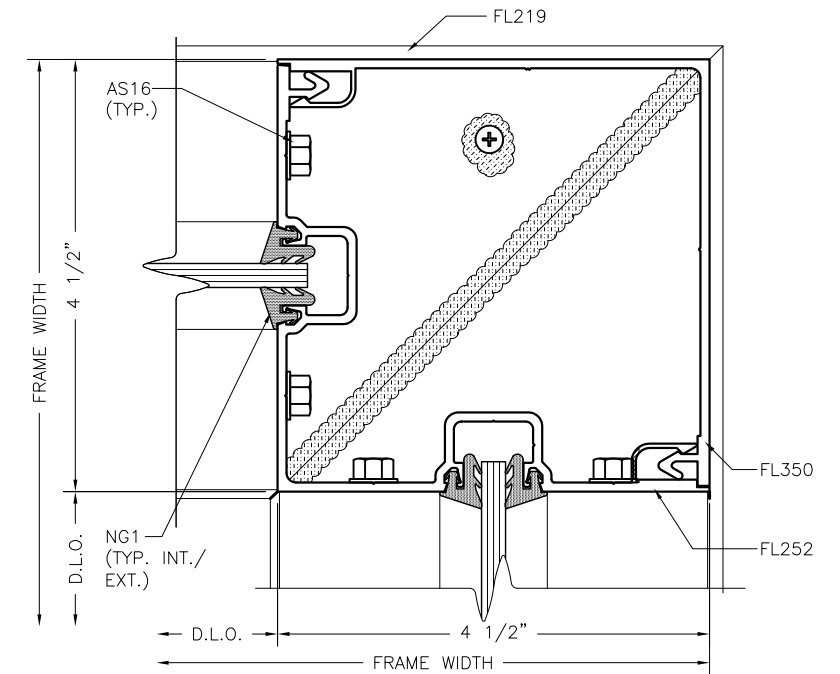




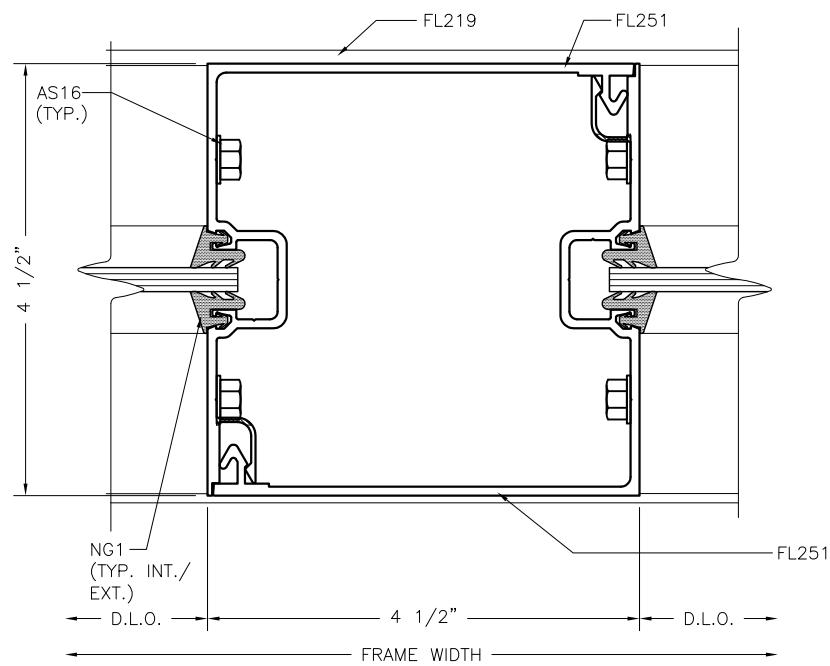
PLAIN CORNER POST
1:2



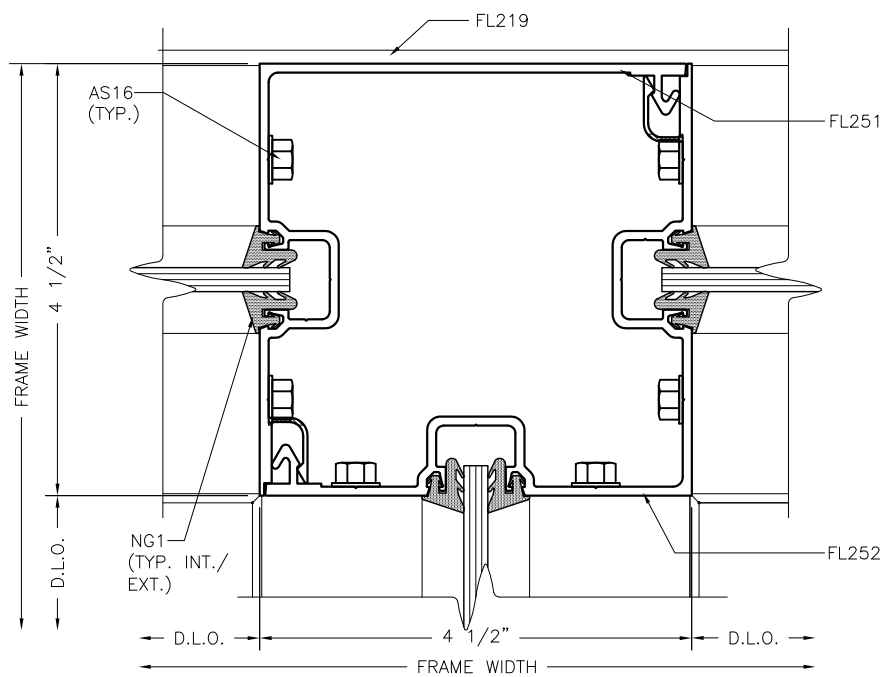
SINGLE POCKET CORNER POST
1:2



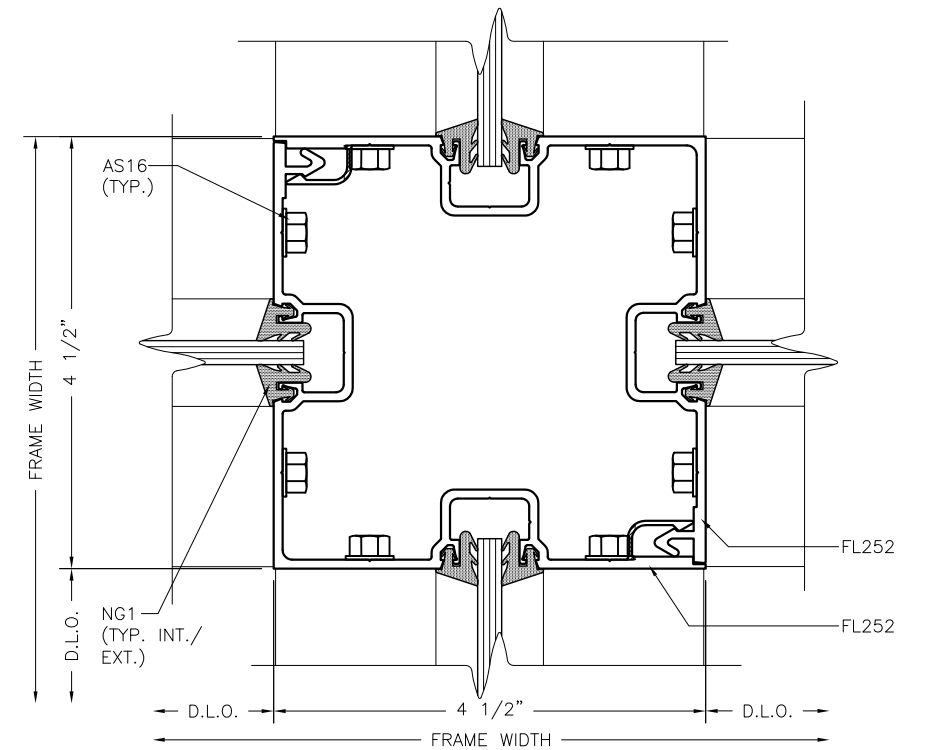
90° CORNER POST
1:2



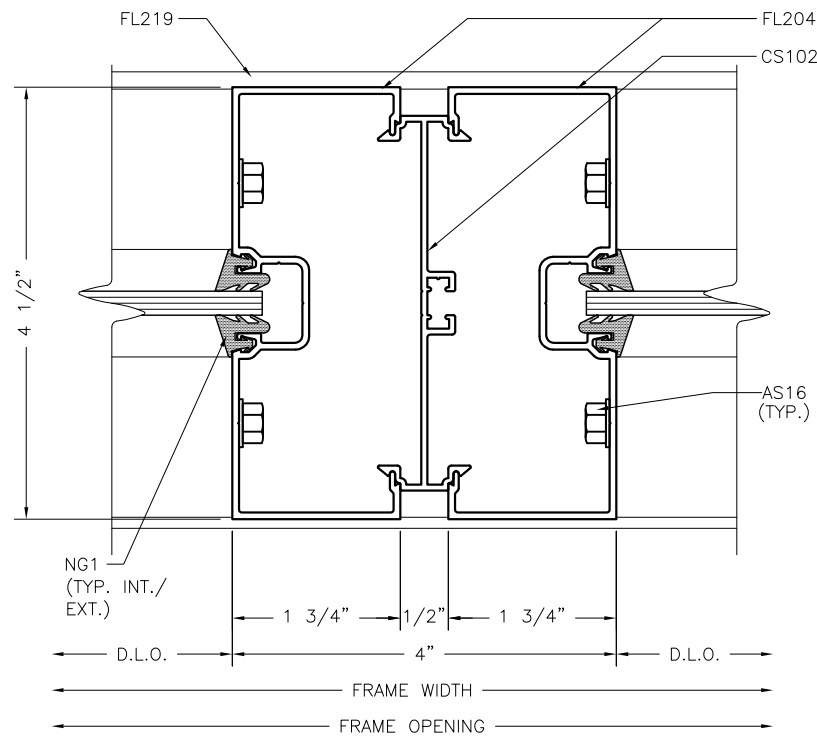
180° CORNER POST
1:2



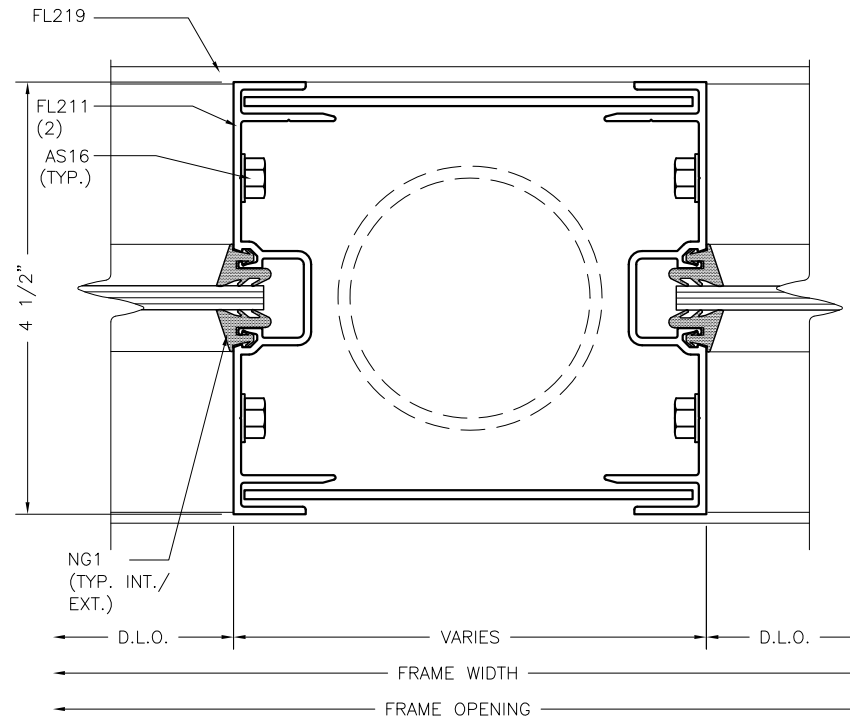
3 WAY CORNER POST
1:2



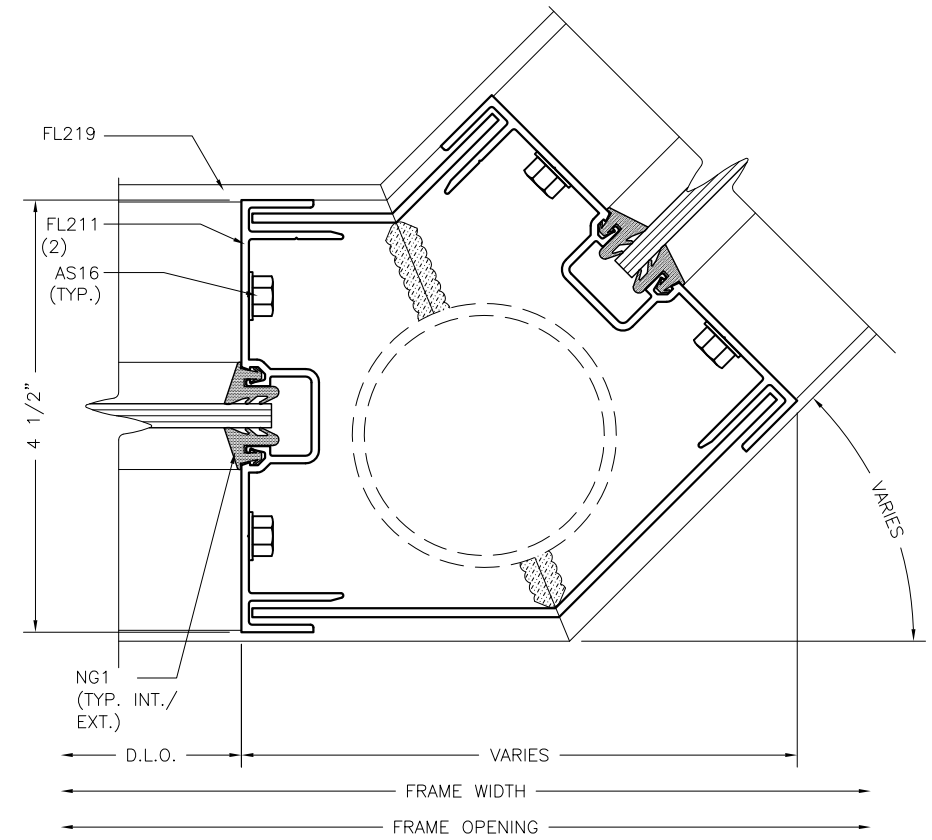
4 WAY CORNER POST
1:2



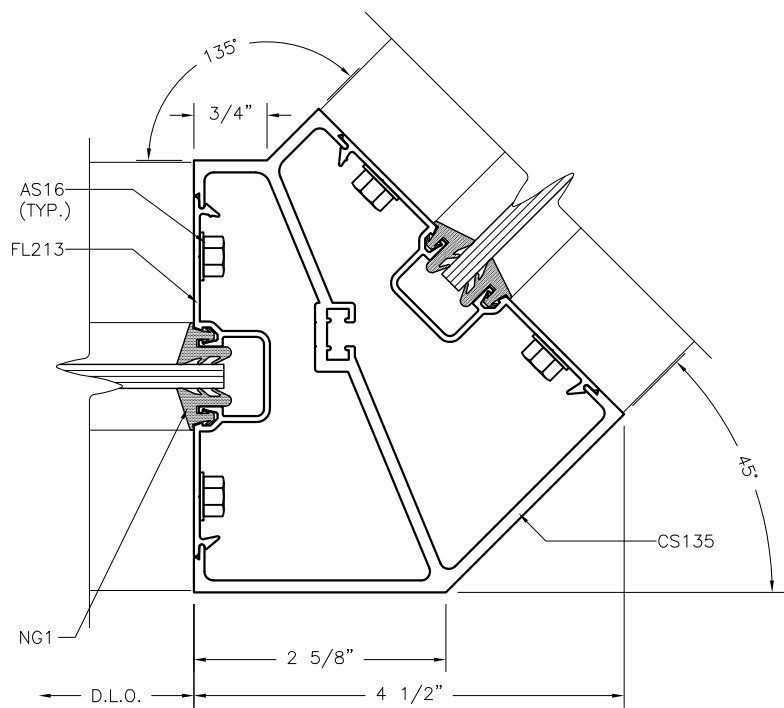
VERTICAL MULLION W/ REVEAL
1:2



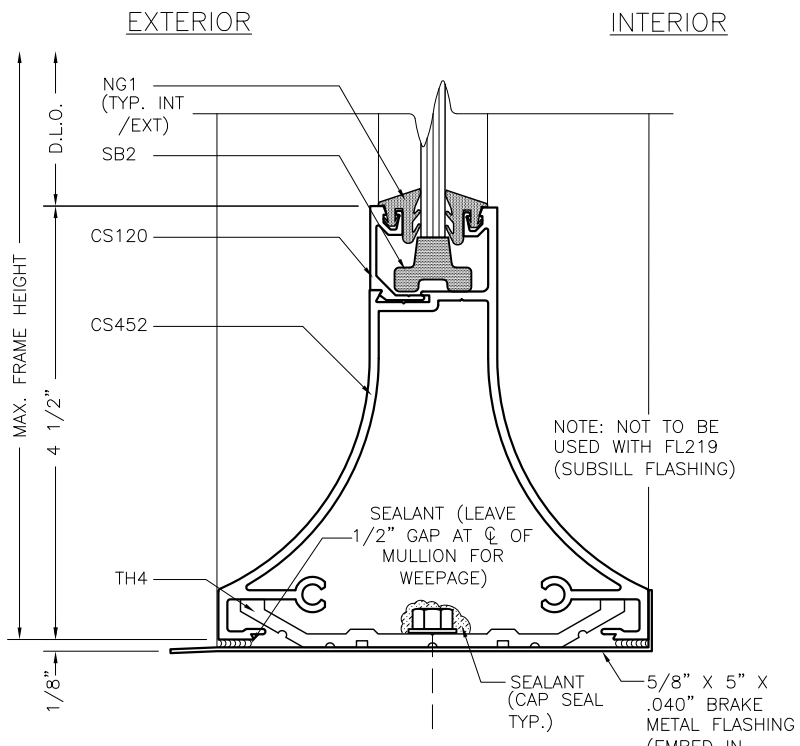
POST COVER
1:2



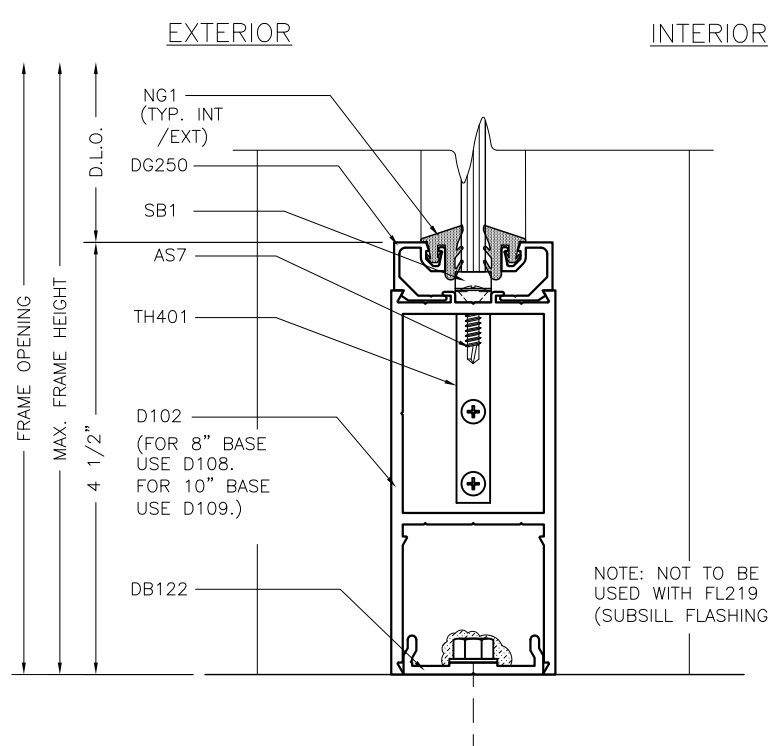
CORNER POST COVER
1:2



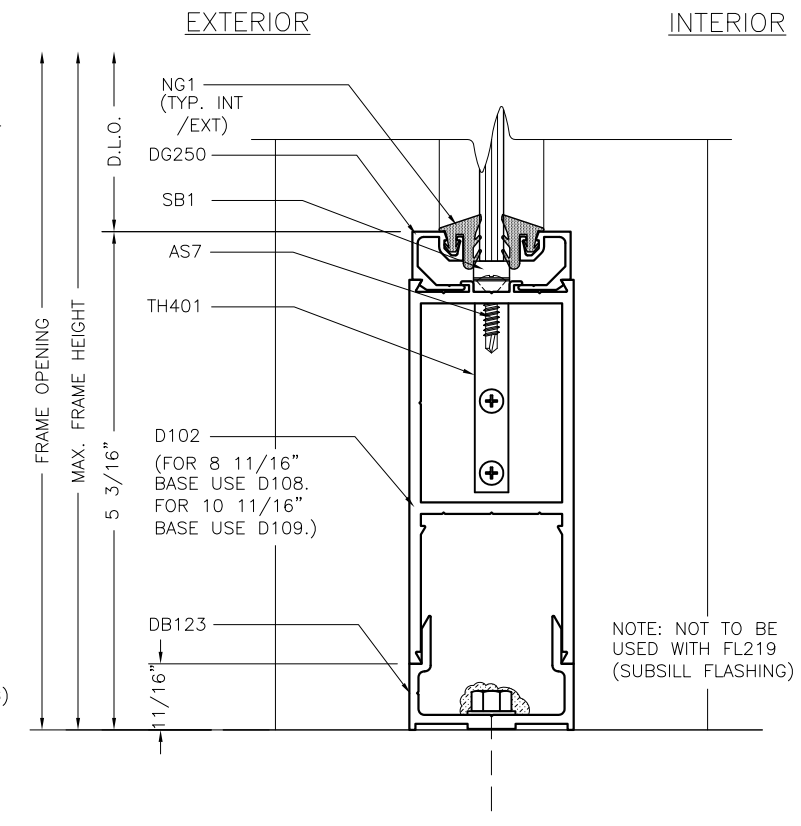
45°/135° CORNER
1:2



DLB. RADIUS SILL
1:2

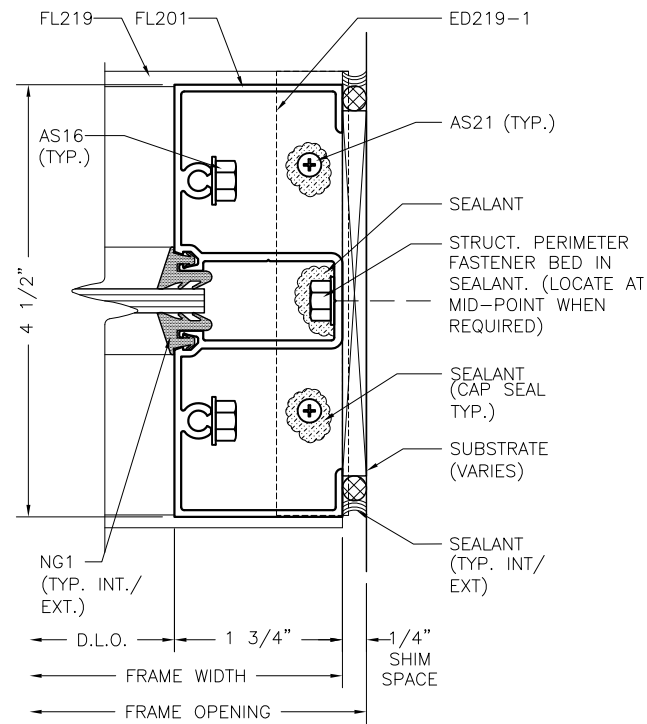


SIDE LIGHT BASE
1:2



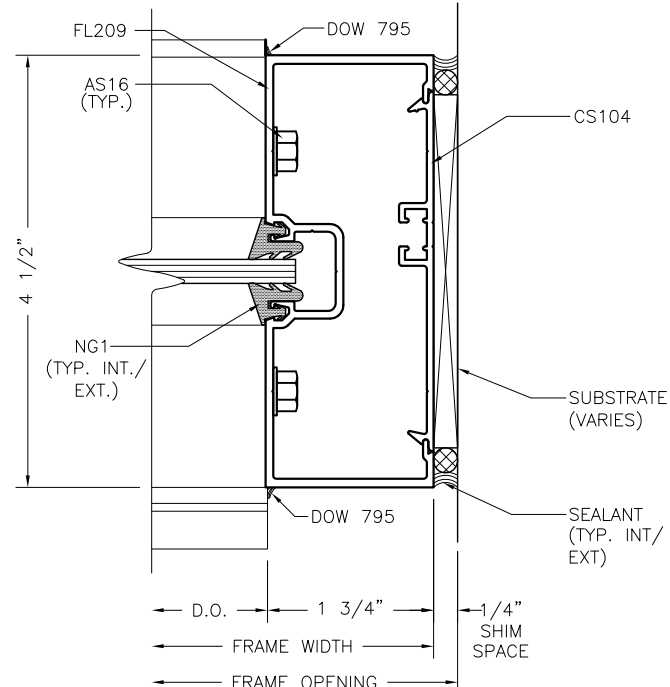
SIDE LIGHT BASE W/ EXTENSION SHOE
1:2

ARCHITECTURAL DETAILS: FL200



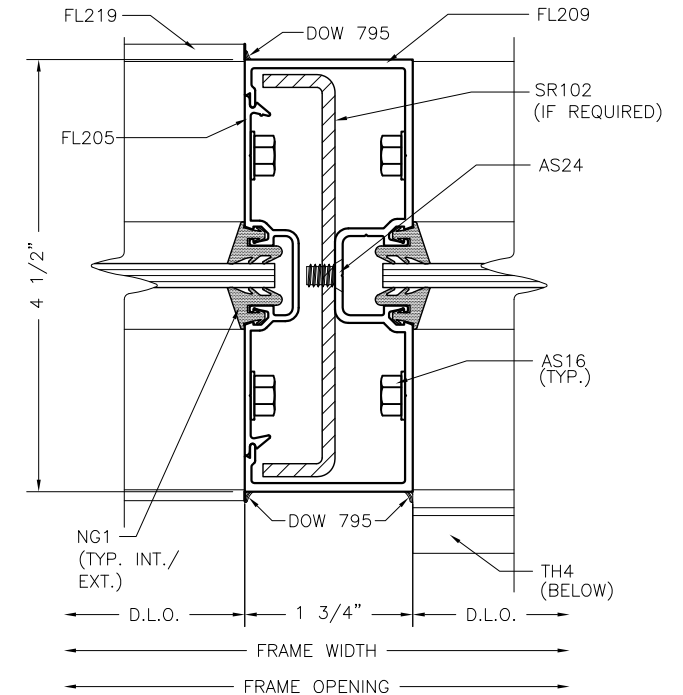
STANDARD JAMB

1:2



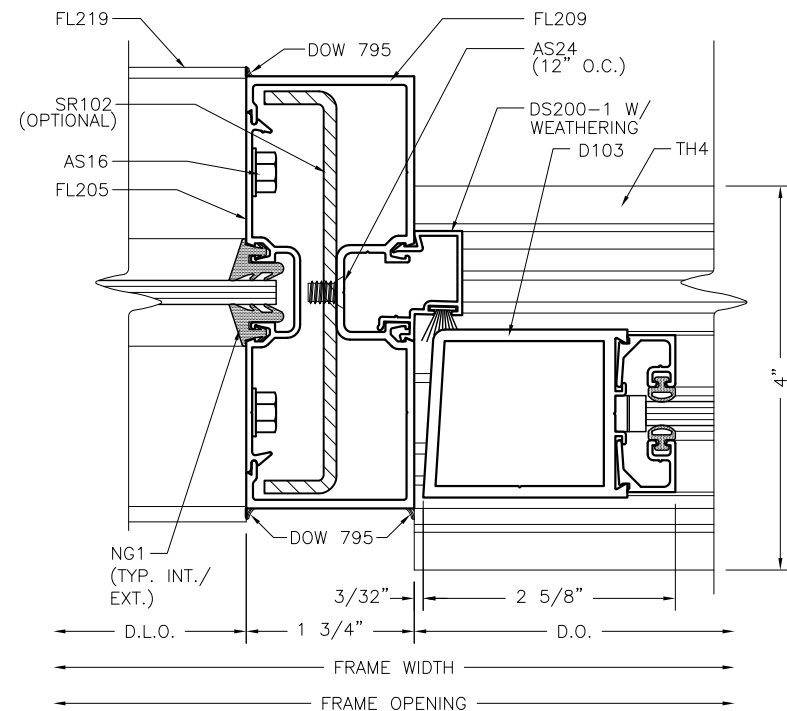
TRANSOM JAMB AT WALL

1:2



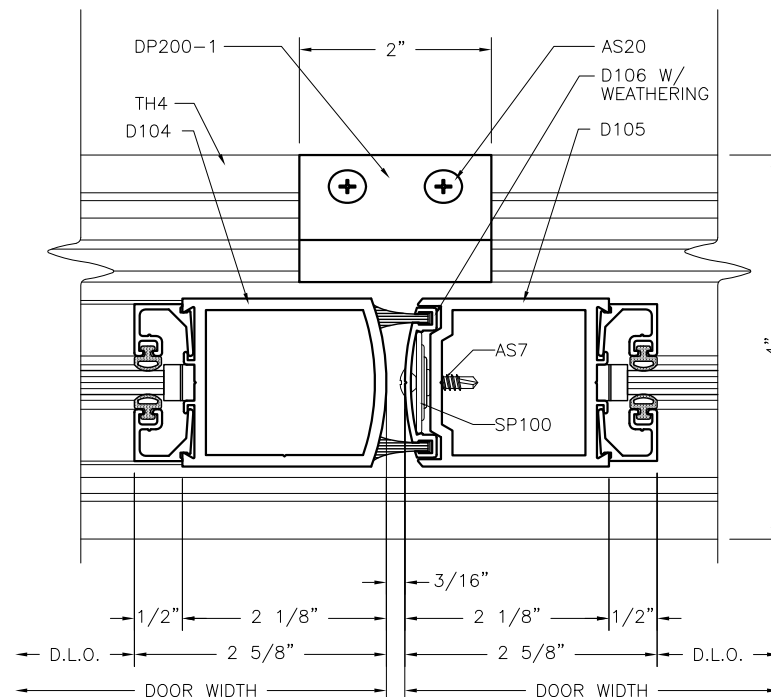
INTERM. TRANSOM JAMB

1:2



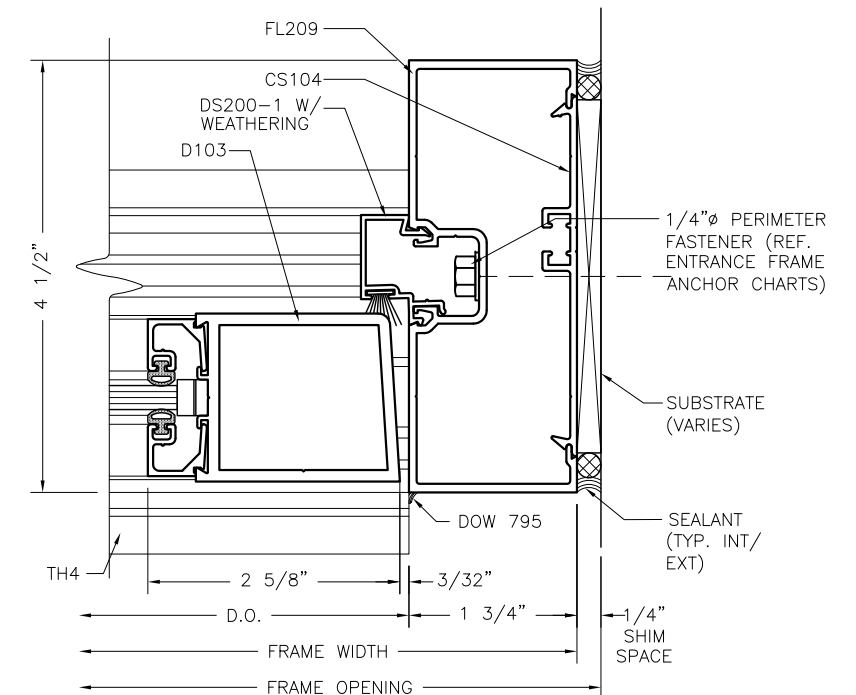
INTERM. DOOR JAMB

1:2



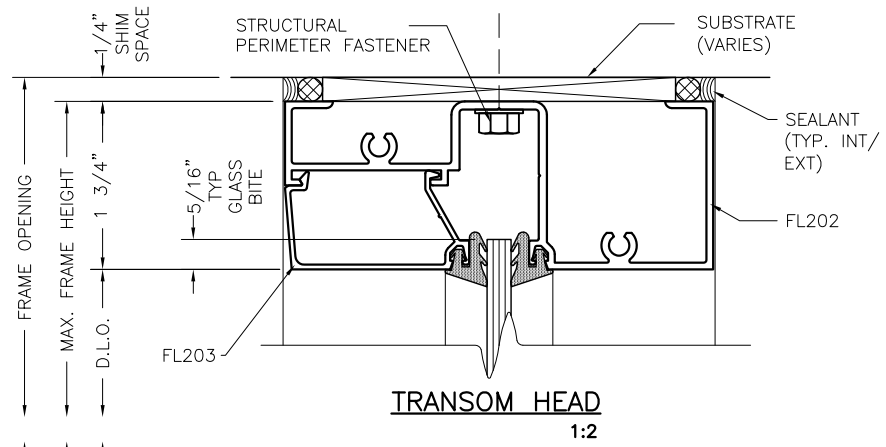
MEETING STILES

1:2

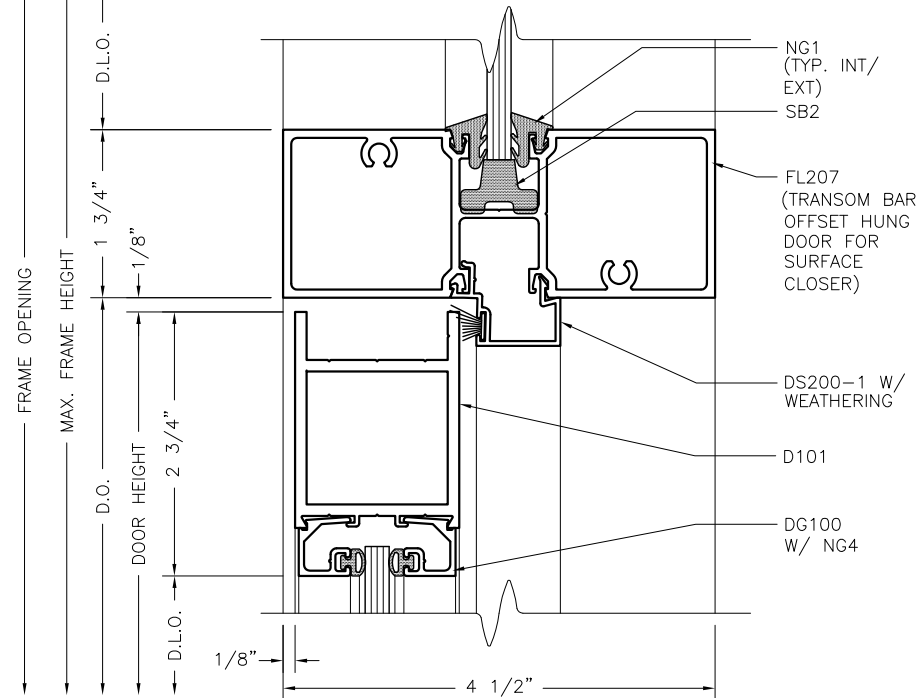


DOOR JAMB AT WALL

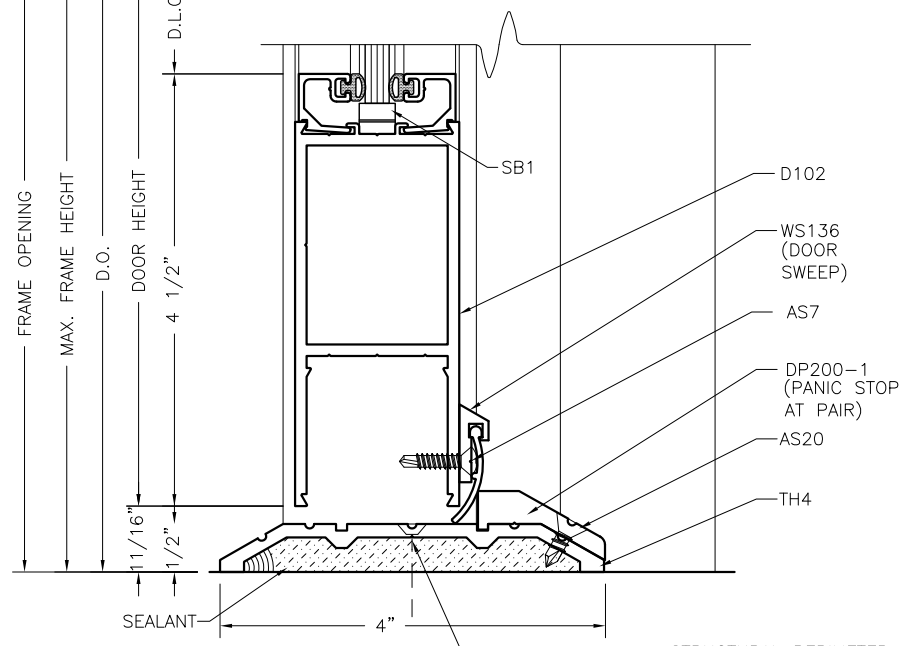
1:2



TRANSOM HEAD
1:2

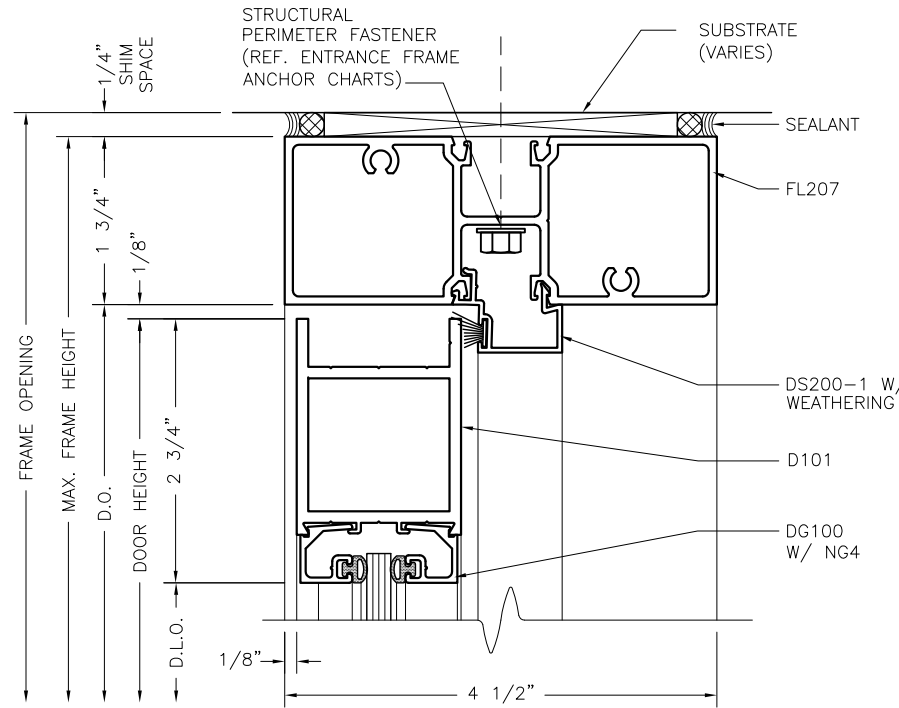


TRANSOM BAR FOR SURFACE CLOSER
1:2

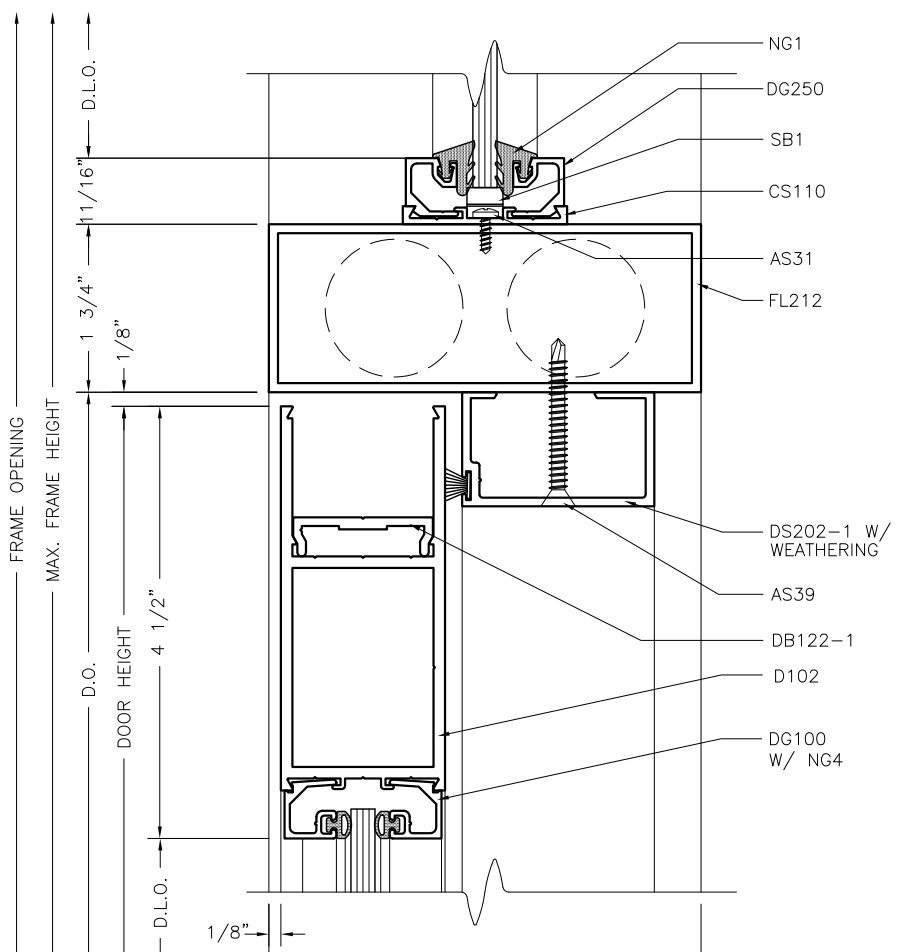


THRESHOLD
1:2

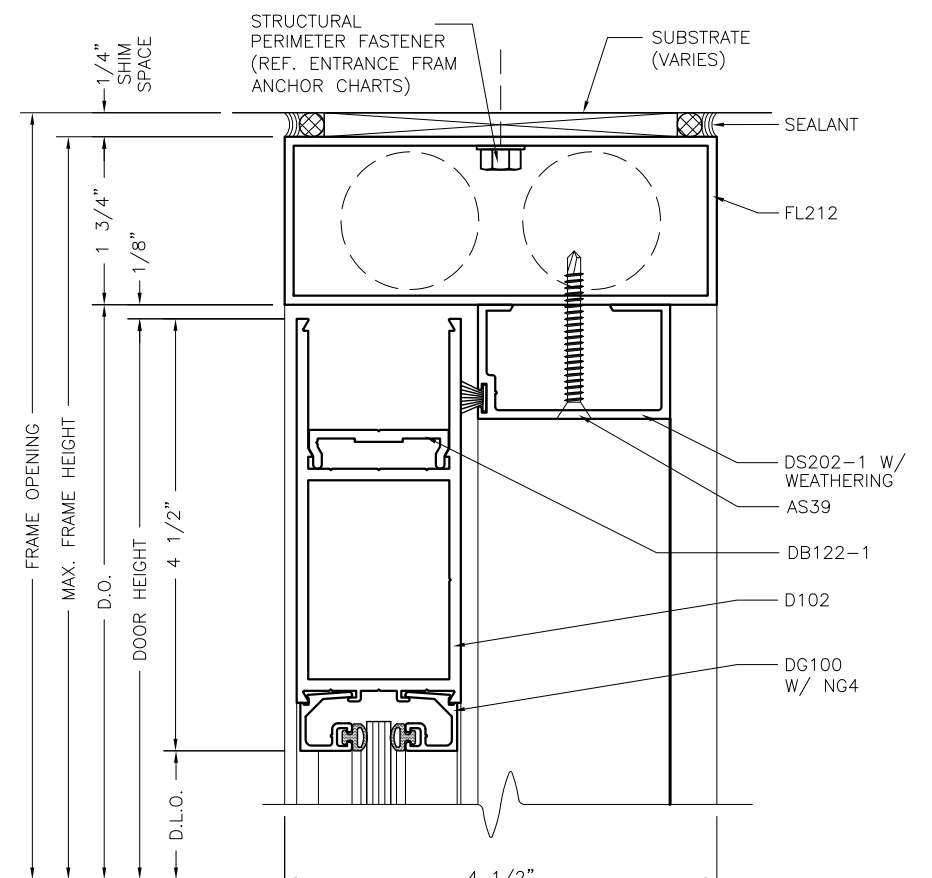
STRUCTURAL PERIMETER FASTENER (REF. ENTRANCE FRAME ANCHOR CHARTS)



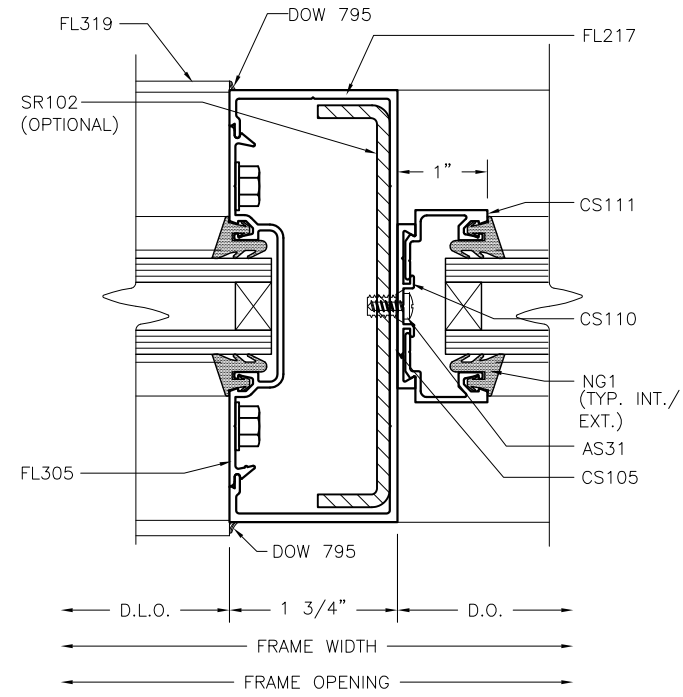
DOOR FRAME HEADER FOR SURFACE CLOSER
1:2



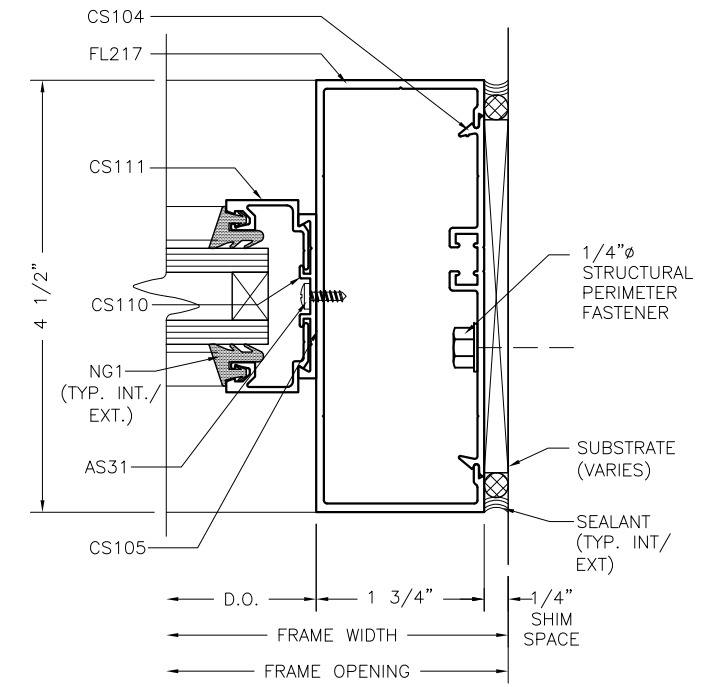
COC TRANSOM BAR W/ OFFSET ARM
1:2



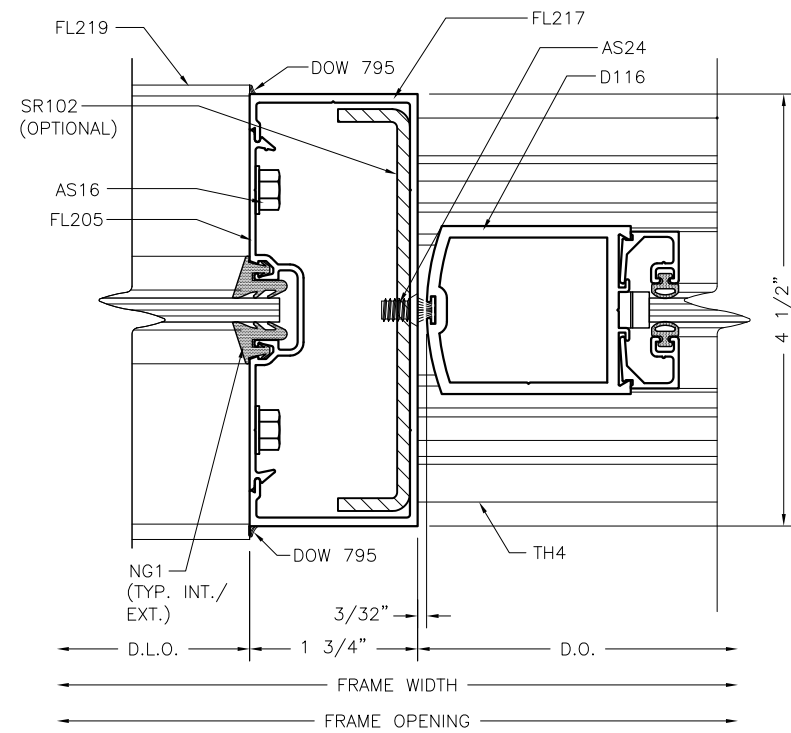
COC HEADER W/ OFFSET ARM
1:2



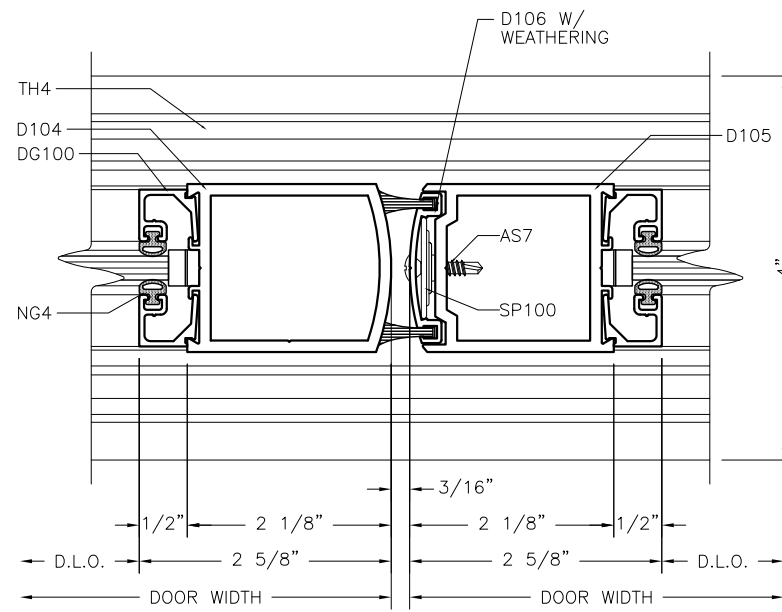
INTER. CENTER PIVOT TRANSOM JAMB
1:2



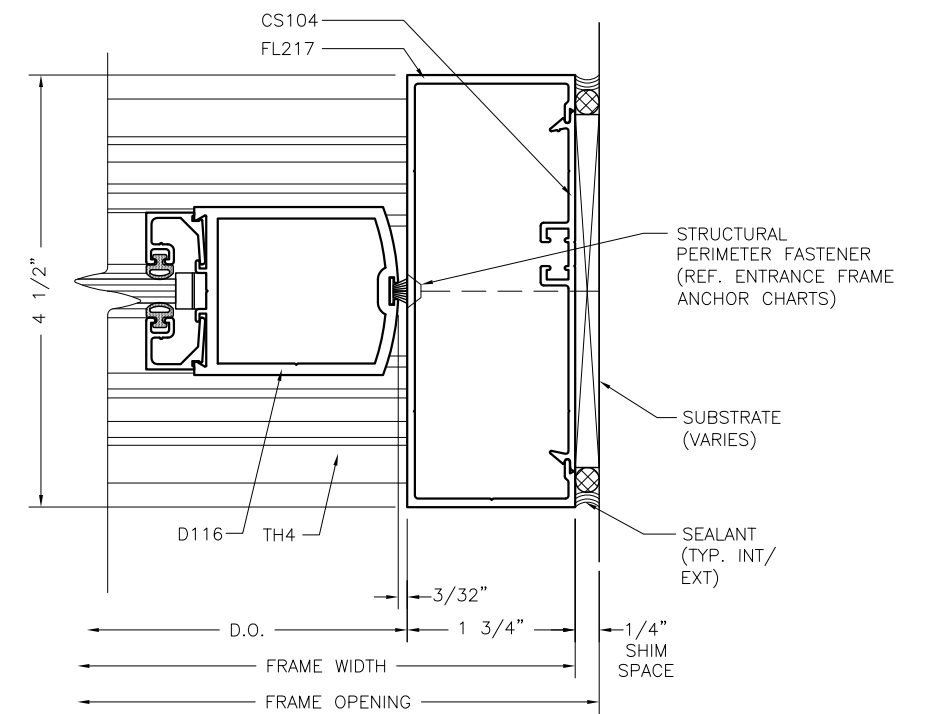
CENTER PIVOT TRANSOM JAMB AT WALL
1:2



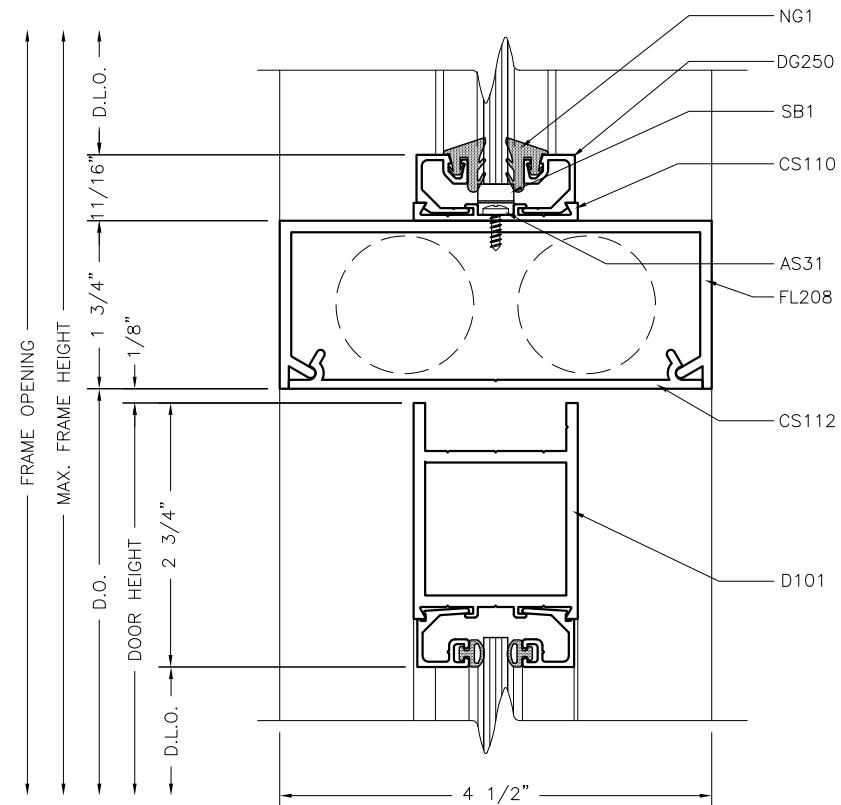
CENTER PIVOT INTERM. DOOR JAMB
1:2



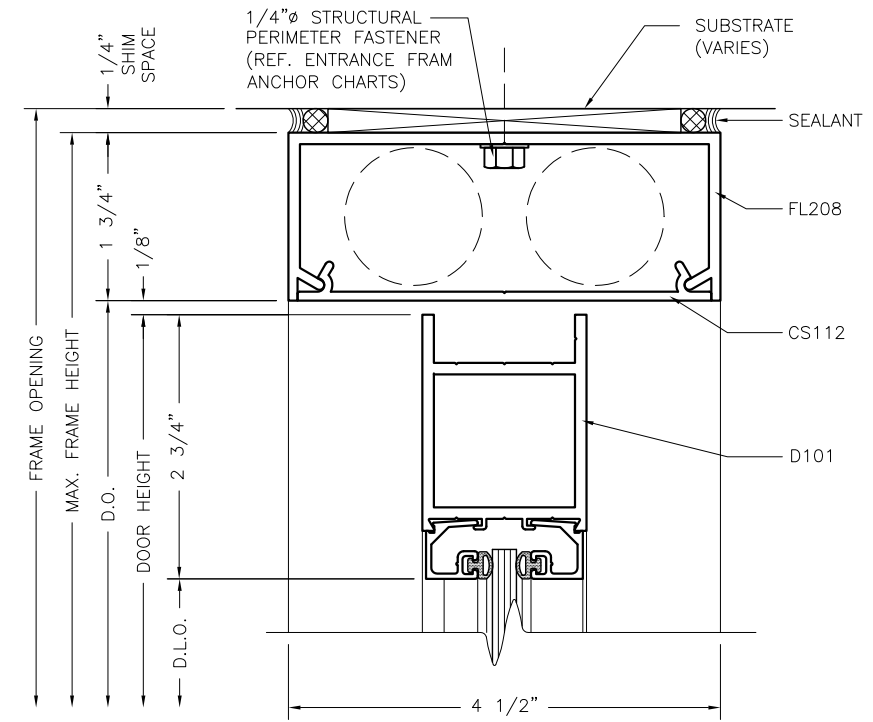
CENTER PIVOT MEETING STILES
1:2



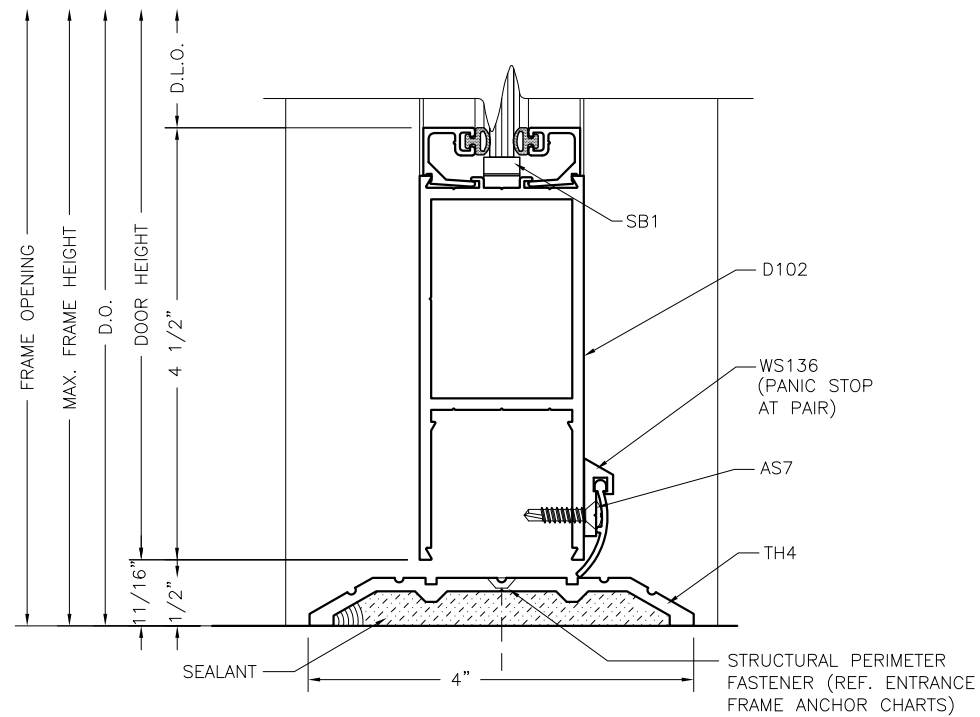
CENTER PIVOT DOOR JAMB AT WALL
1:2



COC TRANSOM BAR W/ CENTER PIVOT
1:2



COC HEADER W/ CENTER PIVOT
1:2



CENTER PIVOT THRESHOLD
1:2