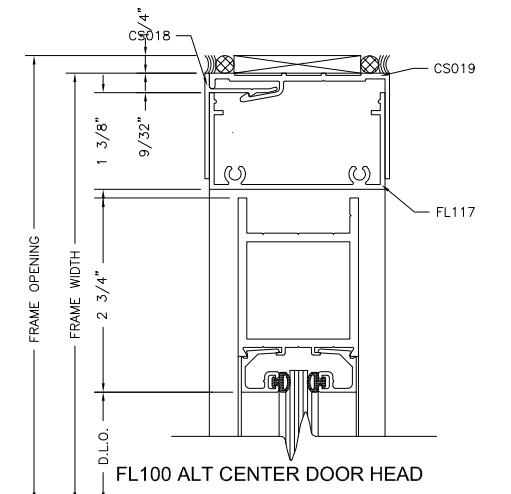
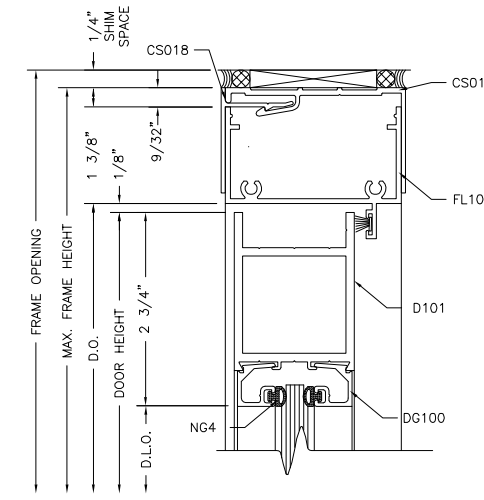
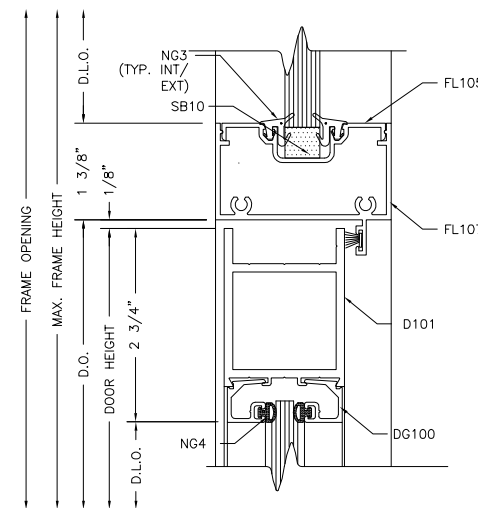
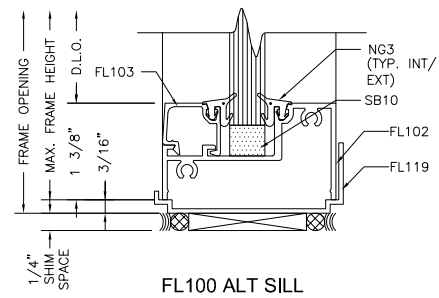
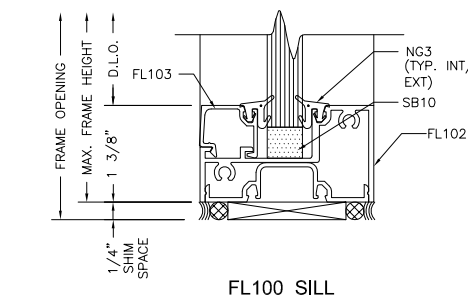
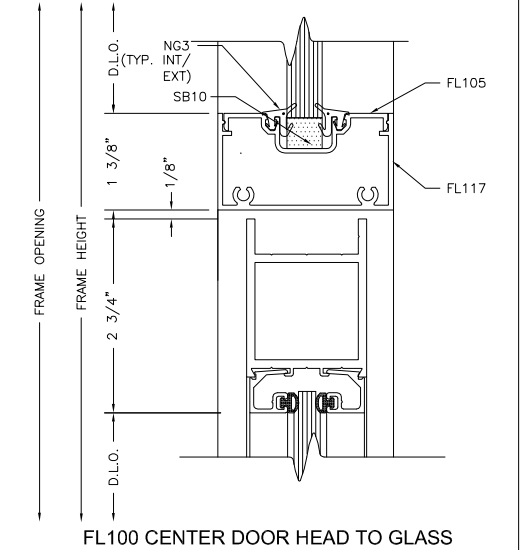
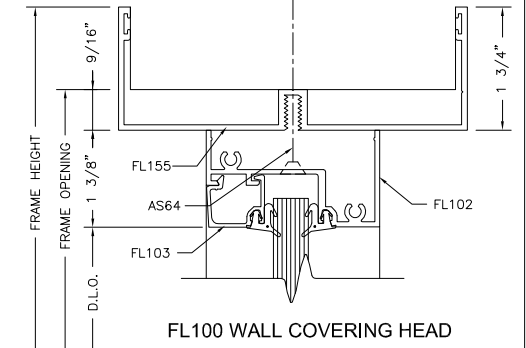
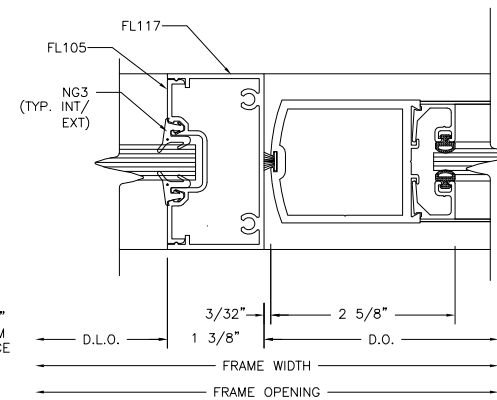
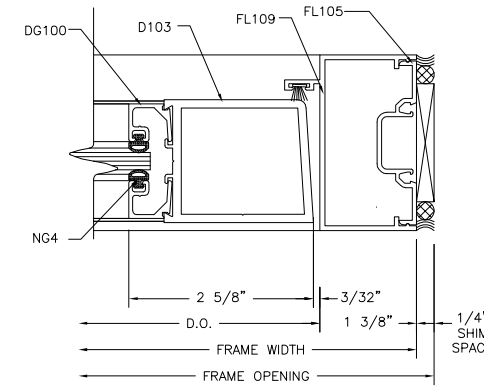
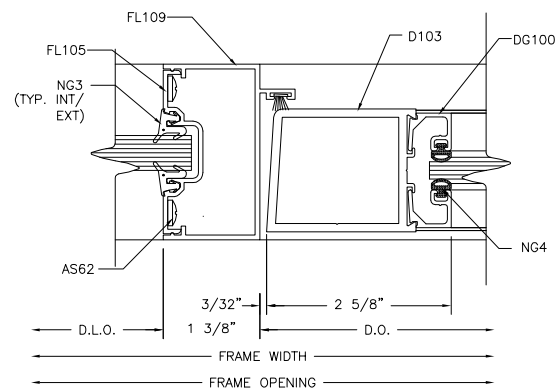
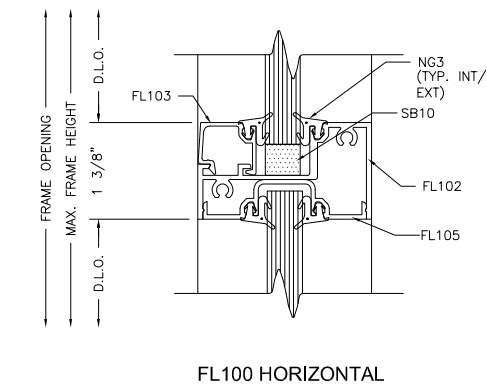
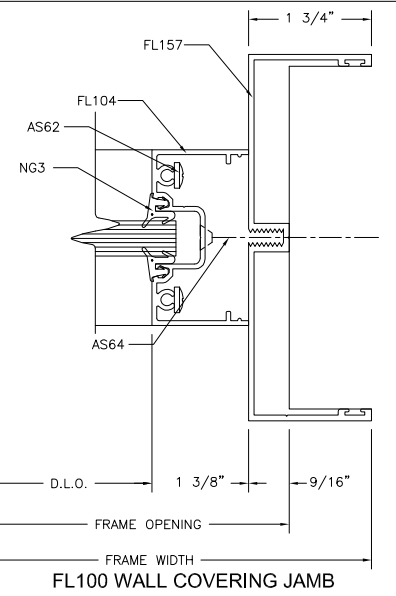
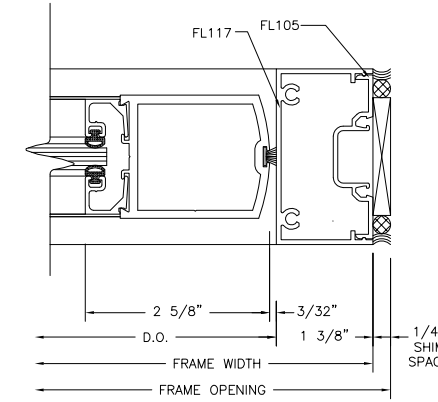
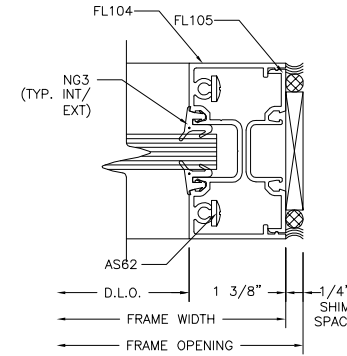
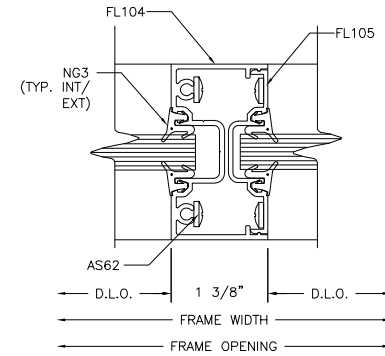
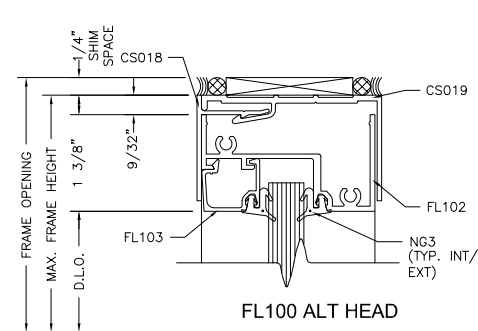
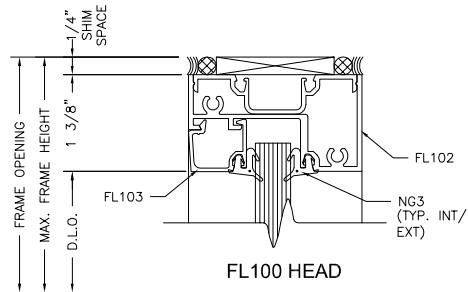


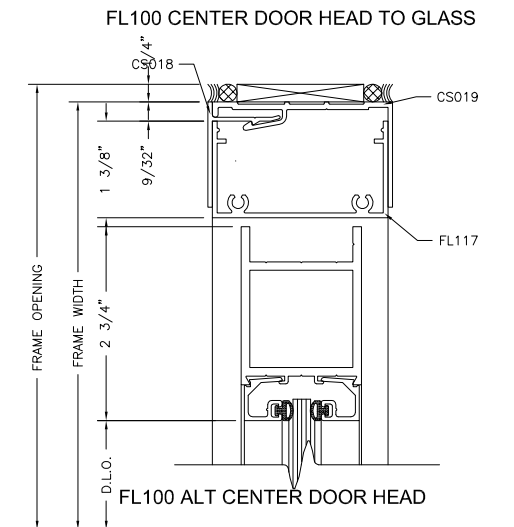
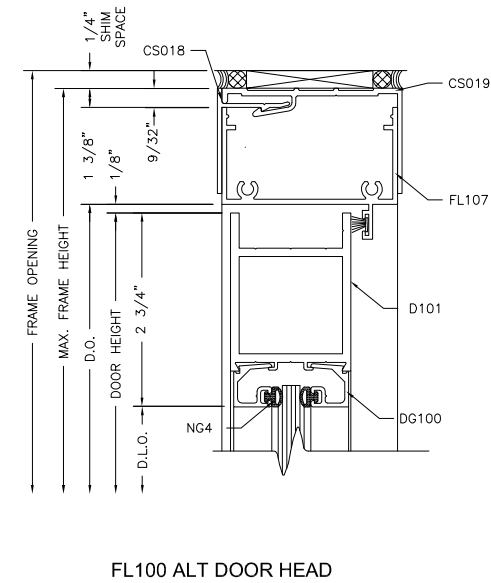
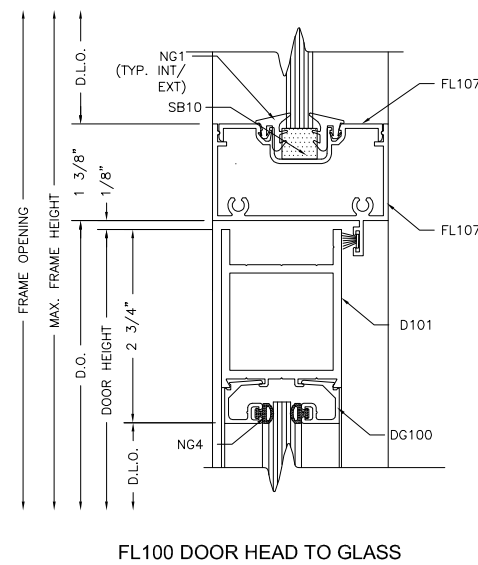
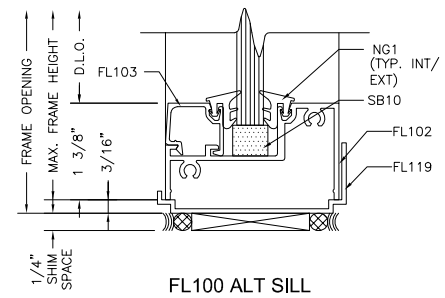
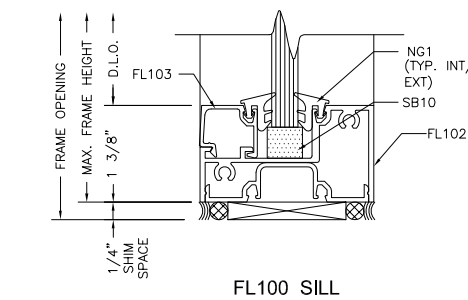
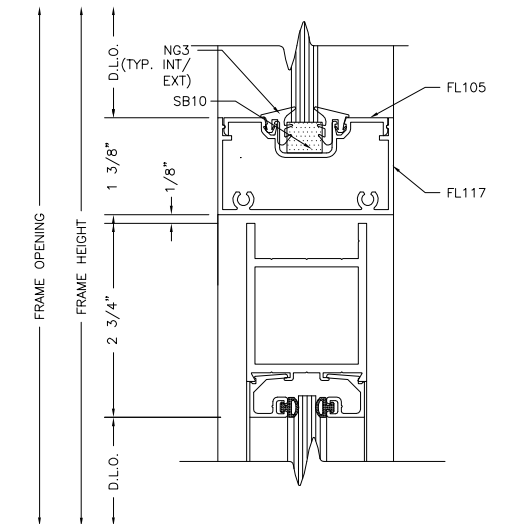
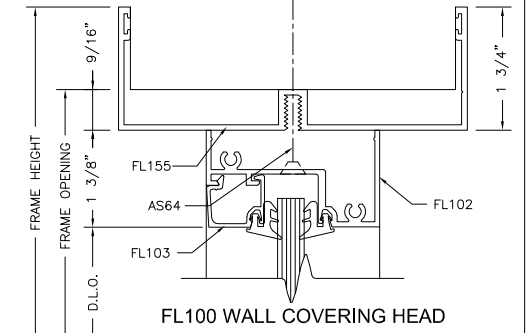
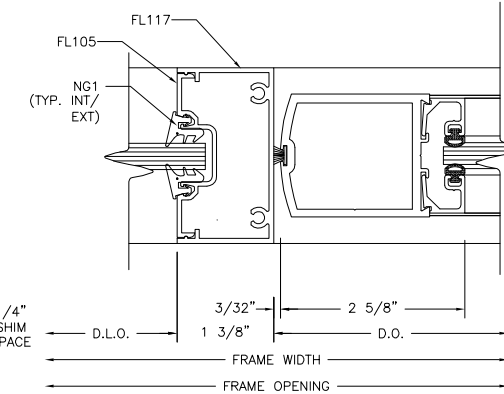
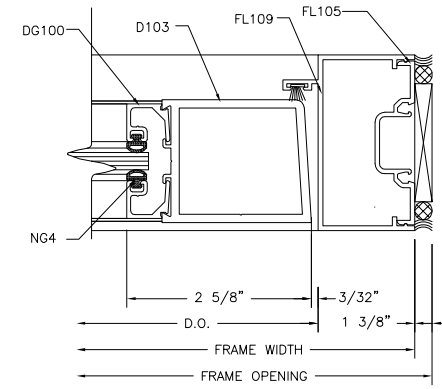
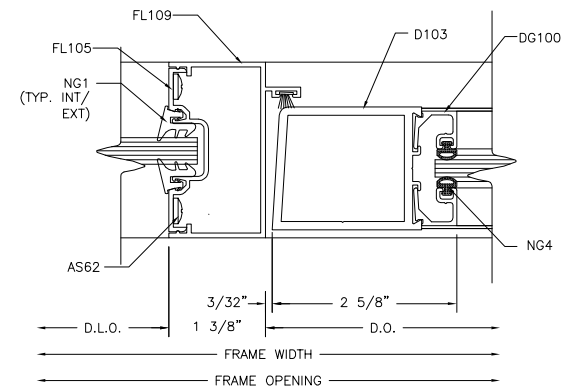
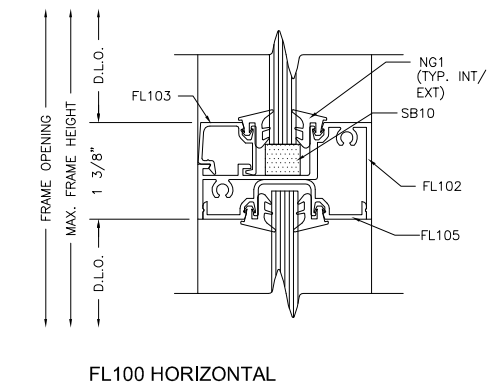
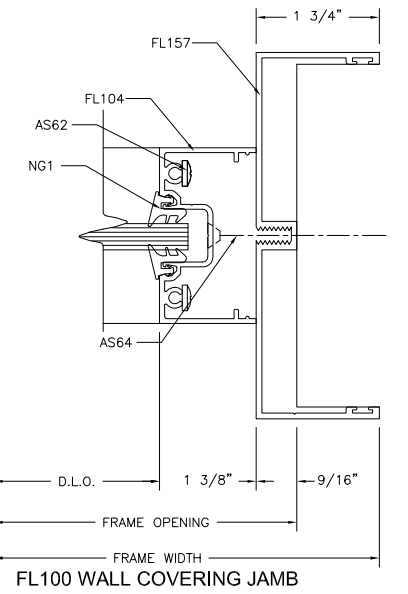
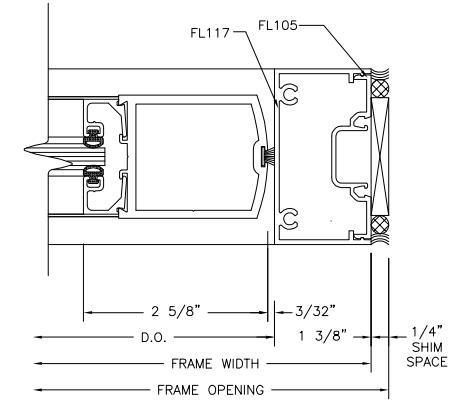
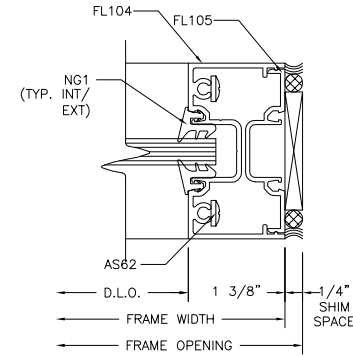
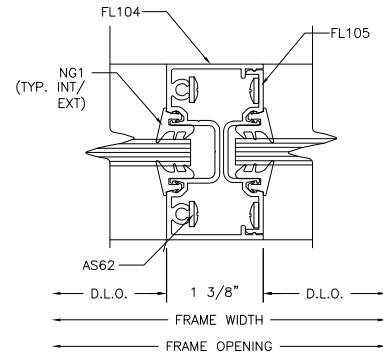
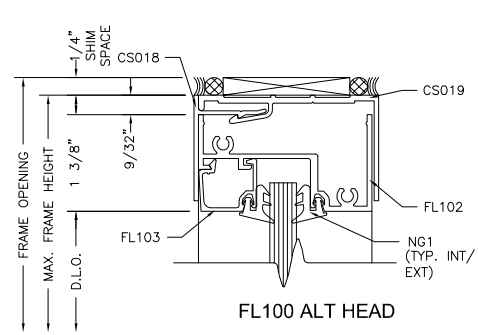
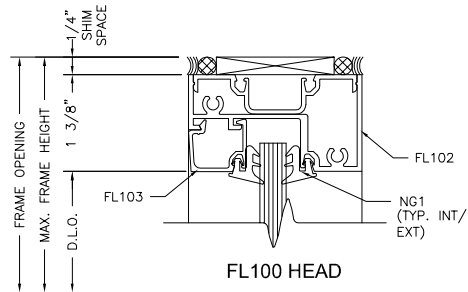
FL100 1/2" GLASS

FL100ROP IS FOR INTERIOR APPLICATION ONLY



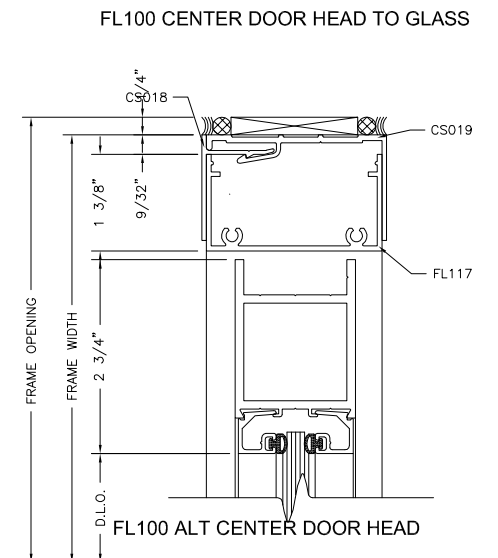
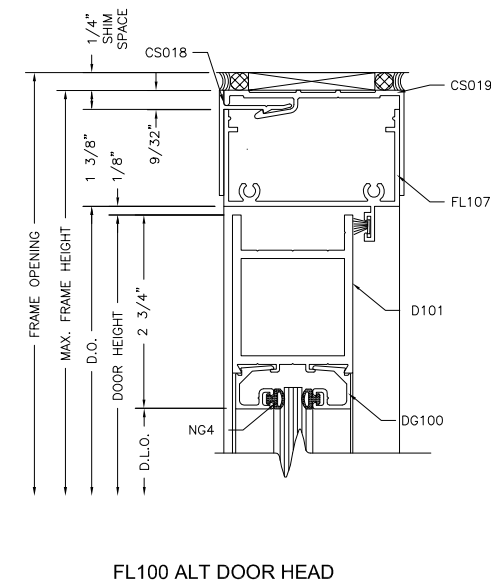
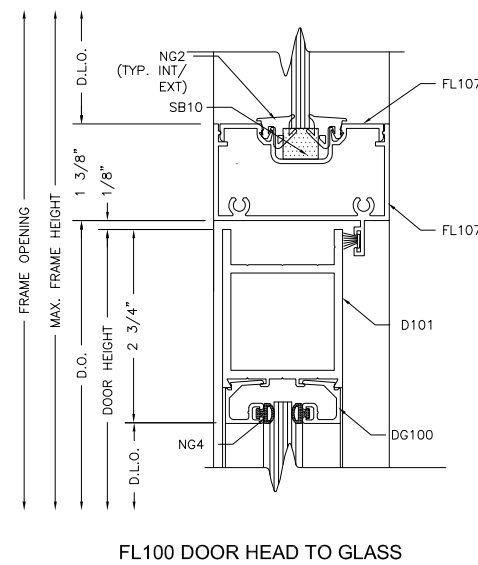
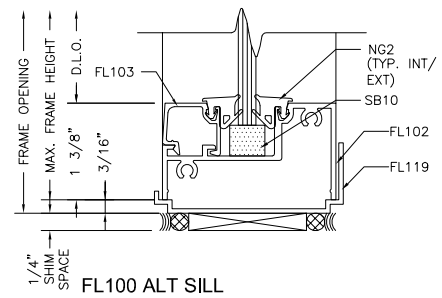
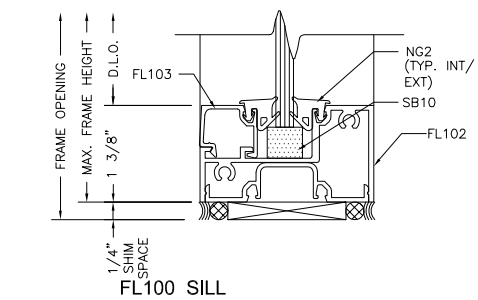
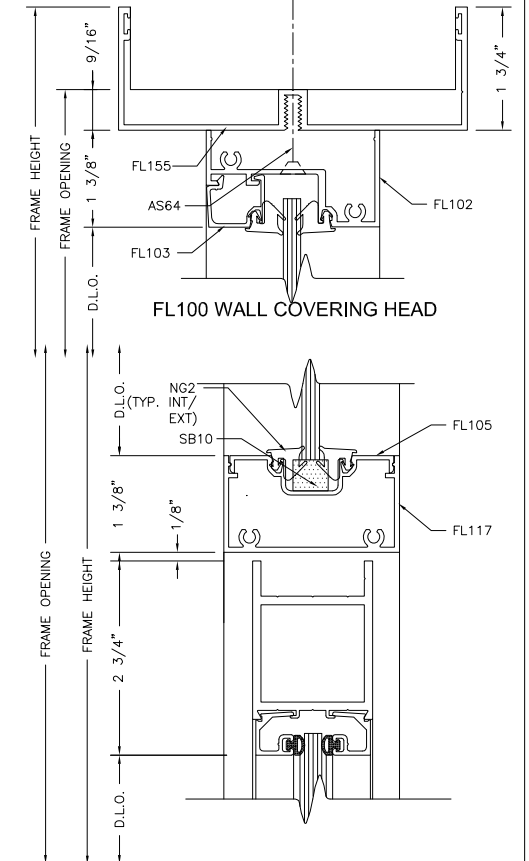
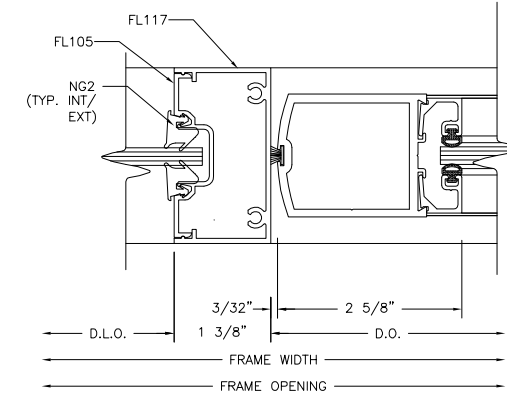
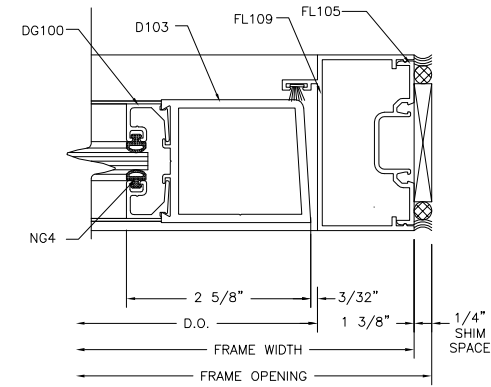
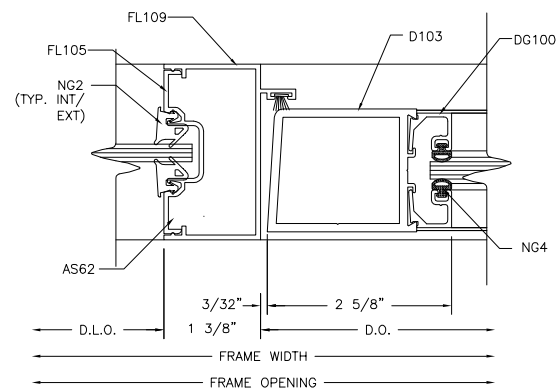
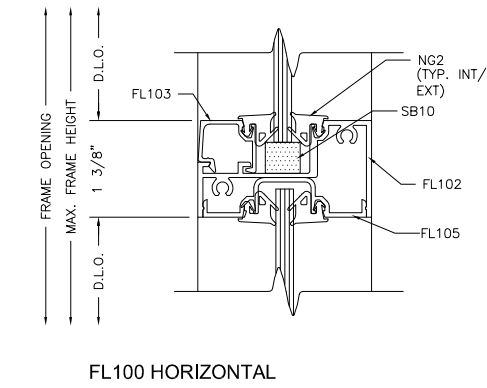
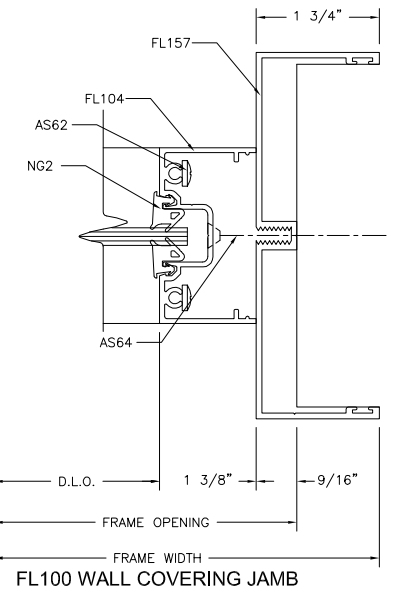
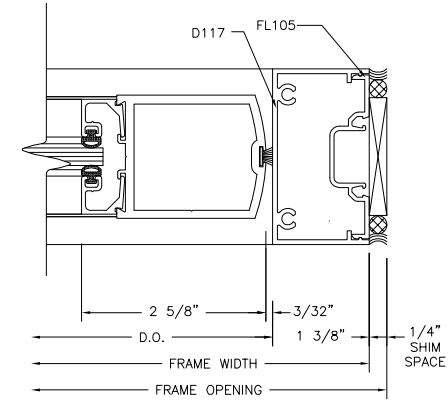
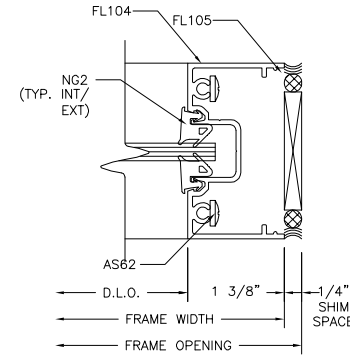
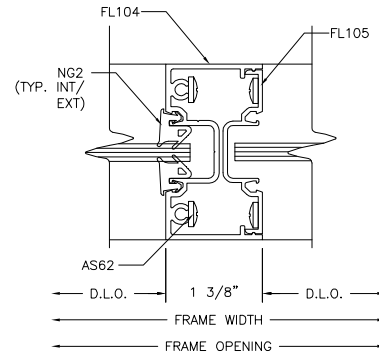
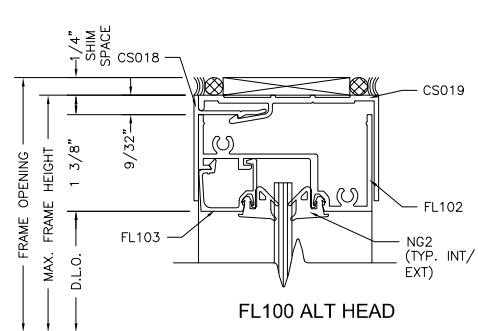
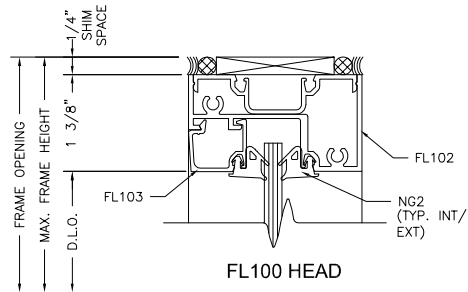
FL100 3/8" GLASS

FL100ROP IS FOR INTERIOR APPLICATION ONLY



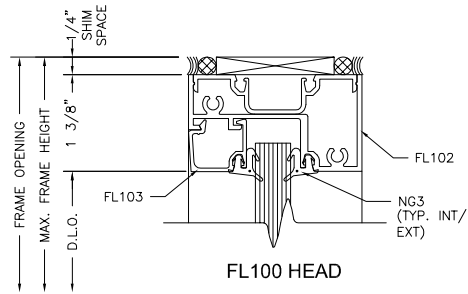
FL100 1/4" GLASS

FL100ROP IS FOR INTERIOR APPLICATION ONLY

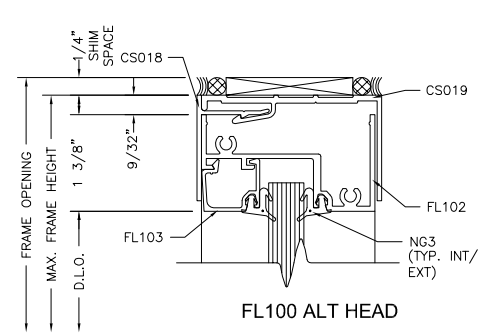


FL100 1/2" GLASS

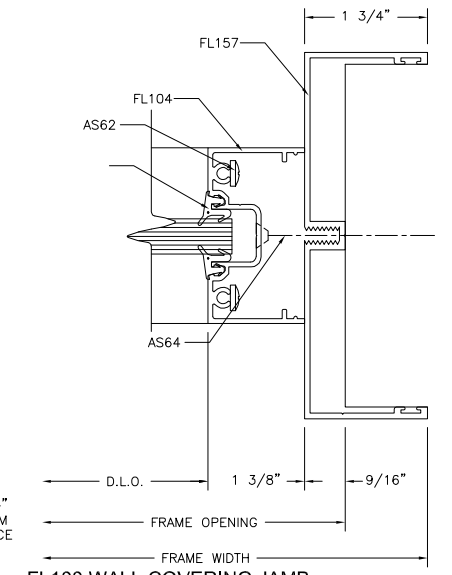
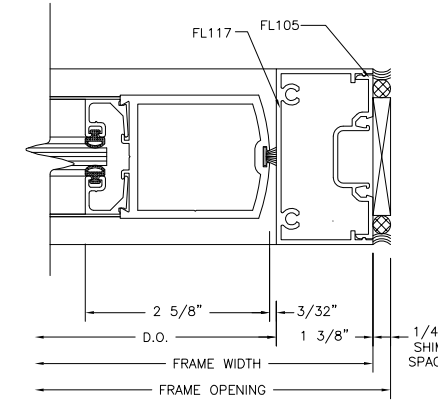
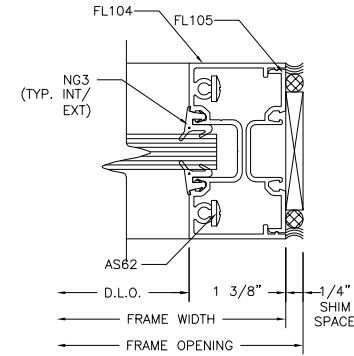
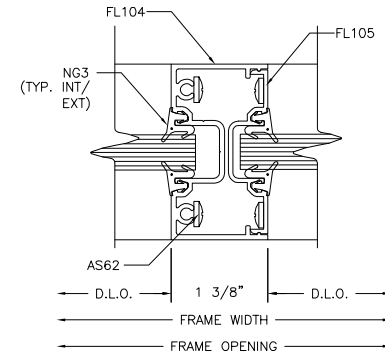
FL100ROP IS FOR INTERIOR APPLICATION ONLY



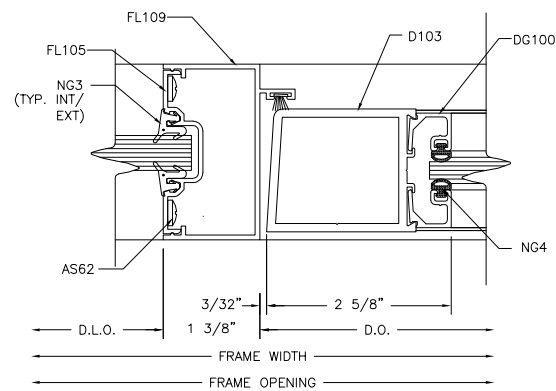
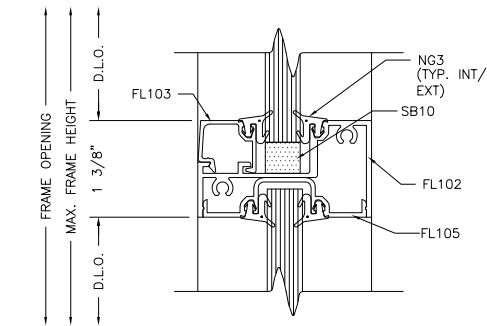
FL100 HEAD



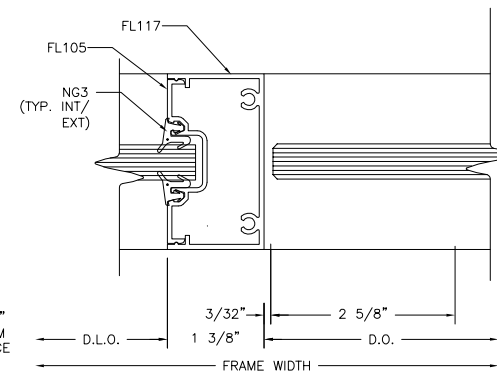
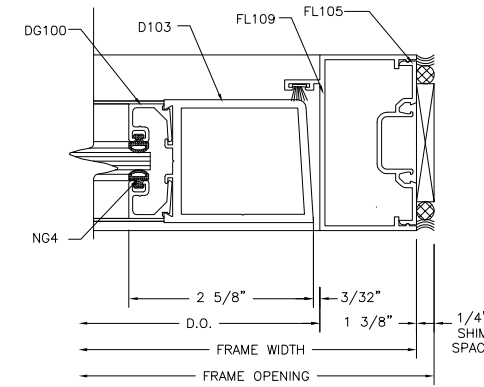
FL100 ALT HEAD



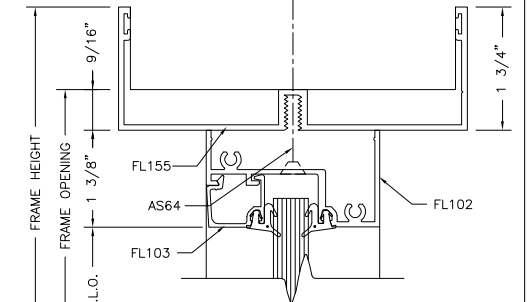
FL100 WALL COVERING JAMB



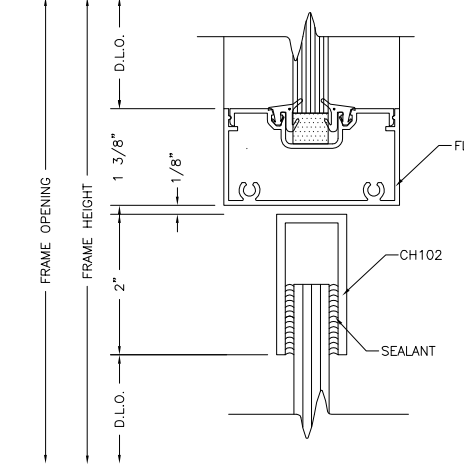
FL100 DOOR TO GLASS



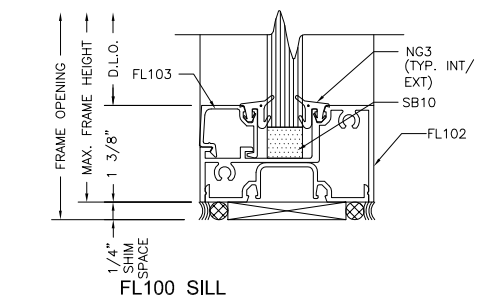
FL100 ALL GLASS DOOR JAMB



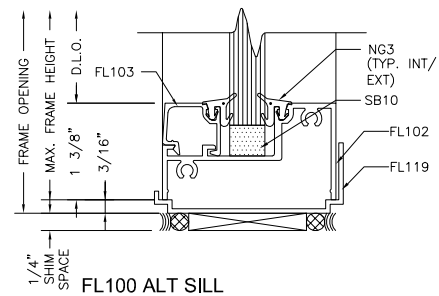
FL100 WALL COVERING HEAD



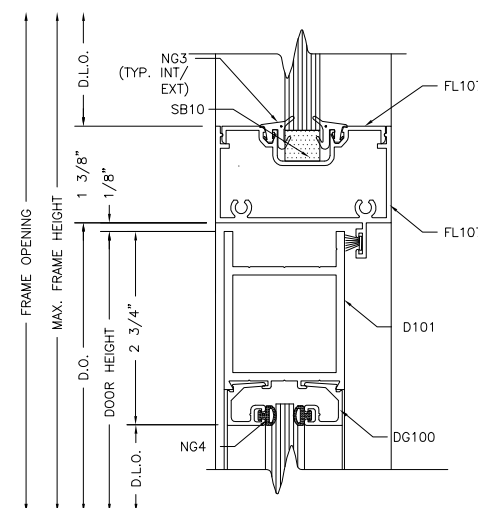
FL100 CENTER ALL GLASS DOOR HEADER



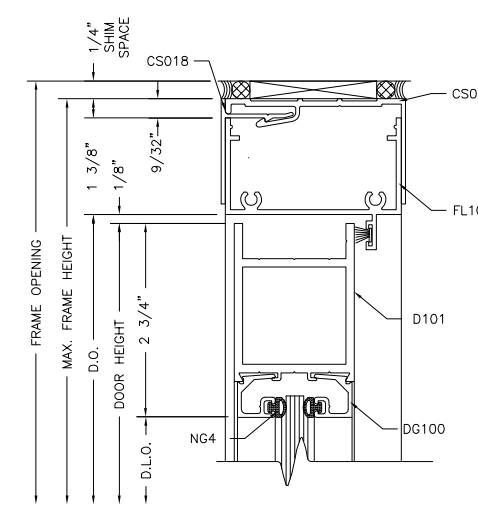
FL100 SILL



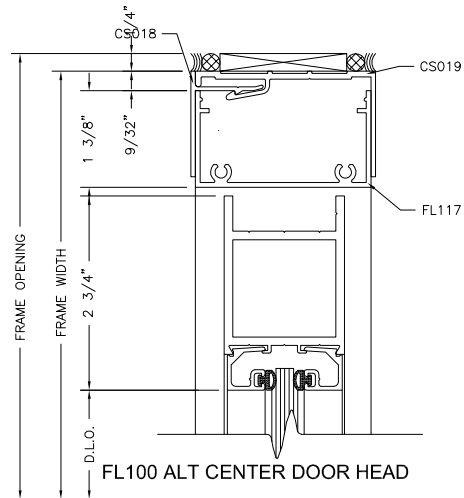
FL100 ALT SILL



FL100 DOOR HEAD TO GLASS



FL100 ALT DOOR HEAD



FL100 ALT CENTER DOOR HEAD